

HPL Vertical Hookstick



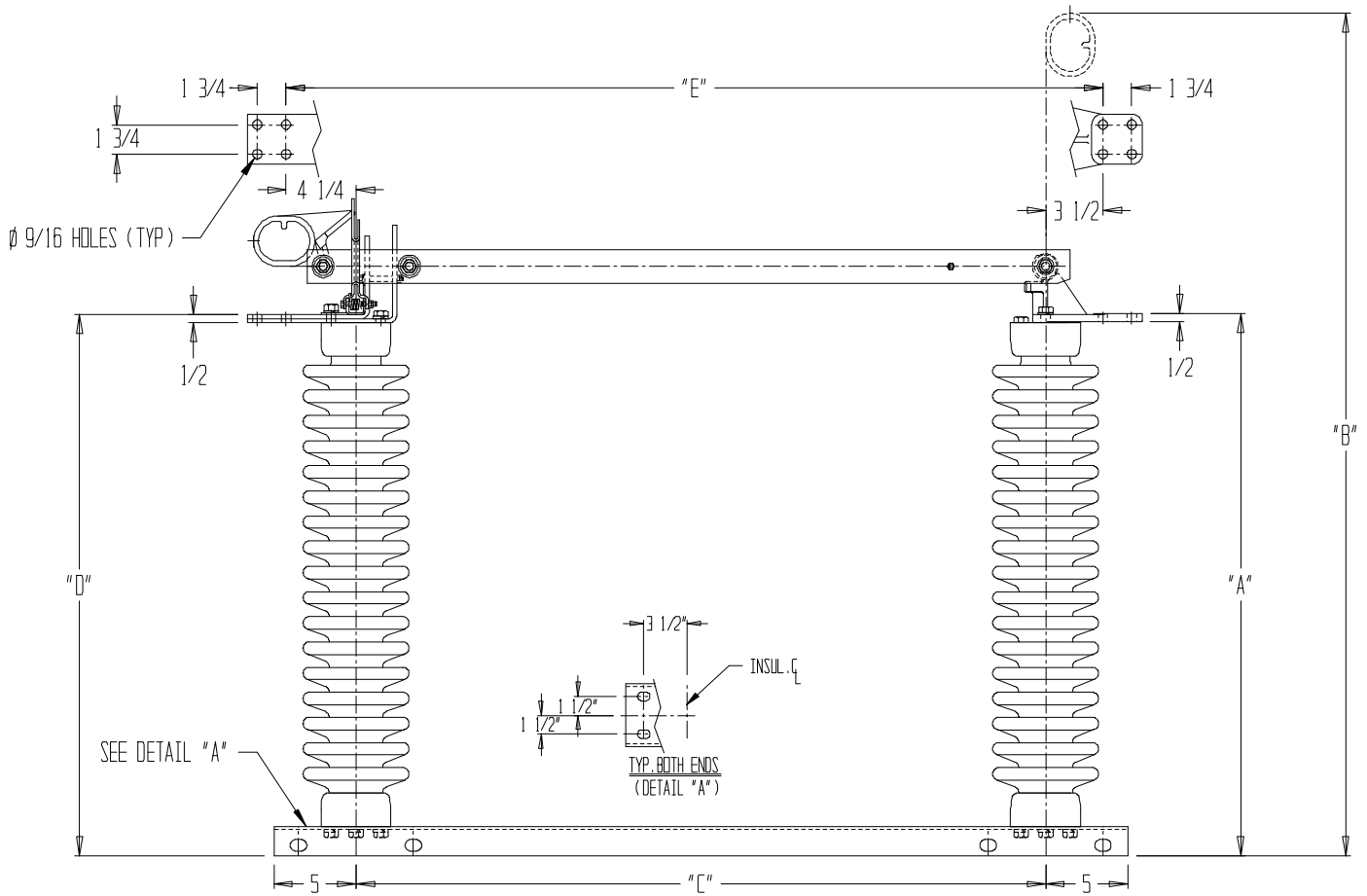
The HPL switch is a two-insulator vertical break single phase hook stick design. Single phase operation is accomplished with the use of a hot-stick. Operation of the switch is accomplished through a pry-out paddle from the high pressure line (HPL) contact arrangement. Copper components are utilized throughout the design. The HPL is also available in a “V” configuration.

Design Features:

- Ease of operation opening and closing
- Hard-drawn, high conductivity copper live components
- Large silicon bronze hook for ease of operation
- Robust stainless steel latch to keep the blade in position
- Mounting in vertical or underhung positions
- Galvanized structural steel channel base
- Stainless steel hardware for corrosion resistance
- High pressure current transfer joints in the blade hinge assures trouble free operation
- Stainless steel contact springs
- Silver-to-copper contacts on hinge and contact for current transfer
- Silver-plated terminal pads with NEMA Standard hole pattern
- 3 Position blade stops standard: 75, 90 and 105 degrees
- Insulators: either porcelain or polymer
- Introduction and type test data from ABB in 1973
- Meets or exceeds all applicable ANSI and NEMA standards
- ANSI 53 Degree C rise designs

HLP HOOKSTICK: VERTICAL BREAK

Bulletin: 6200



kV	kV	Amps	kA	STD	INSUL.	INSUL.	DIMENSIONS SHOWN ARE IN INCHES					WEIGHT	PART
(Nom)	BIL	Continuous	Mom.	INSUL.	BC (IN)	HGT (IN)	A	B	C	D	E	LBS.	NUMBER
7.5	95	2000	80	TR-202	3	7.5	9 13/16	33 7/8	15	9 3/4	22 3/4	72	42-581-007
15	110	2000	80	TR-205	3	10	12 5/16	36 3/8	15	12 1/4	22 3/4	84	42-581-008
23	150	2000	80	TR-208	3	14	16 5/16	43 3/8	18	16 1/4	25 3/4	91	42-581-009
34.5	200	2000	80	TR-210	3	18	20 5/16	53 3/8	24	20 1/4	31 3/4	116	42-581-010
46	250	2000	80	TR-214	3	22	24 5/16	63 3/8	30	24 1/4	37 3/4	141	42-581-011
69	350	2000	80	TR-216	3	30	32 5/16	83 3/8	42	32 1/4	49 3/4	192	42-581-012

PACIFIC AIR SWITCH CORPORATION
 2615 23rd Avenue
 Forest Grove, OR 97116-0328

Website: www.PASCOR.com
 Phone: 503-359-3939
 Email: sales@pascor.com