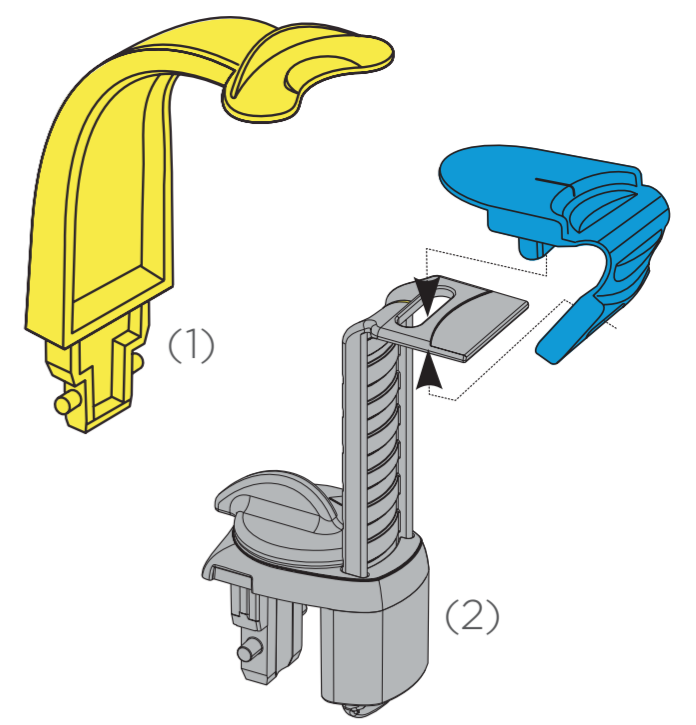


3D X-ray with Orthophos SL

Patient positioning for the perfect 3D image



Notes:

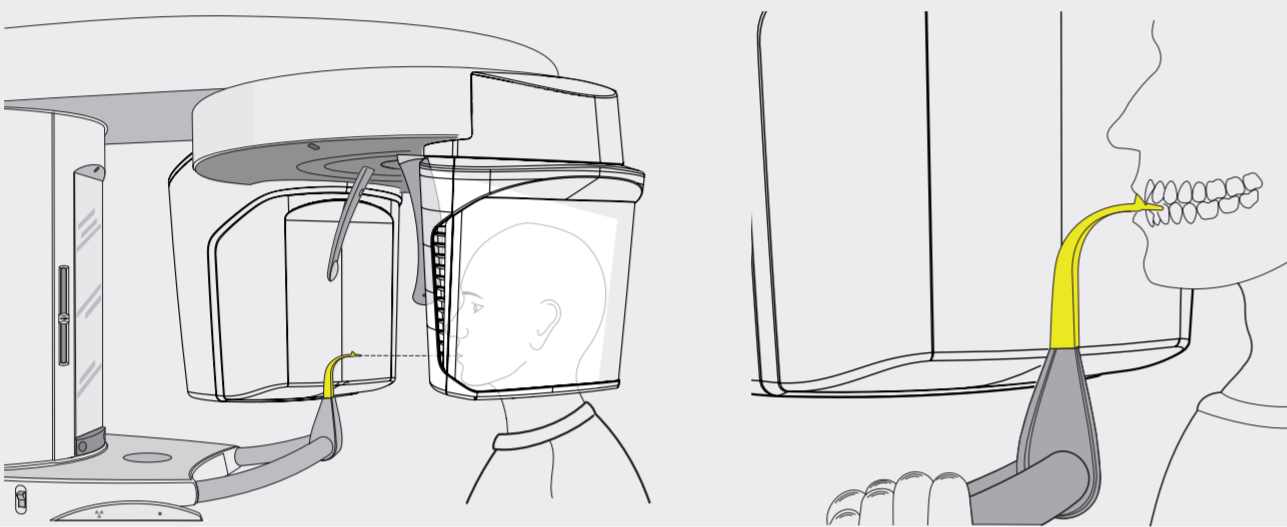
- Please use the 3D bite block (1) or the universal bite block (2)
- All standard volumes can be imaged with the 3D bite block as well as the yellow marking on the universal bite block. Use the blue marking of the universal bite block for volume images in the sinus area.

Preparation: Remove glasses, piercings, jewelry, and any removable dental prostheses, then put on an X-ray apron.

Hygienic protection: The appropriate hygienic protection is to be used prior to every image. This must be disposed of immediately after use.

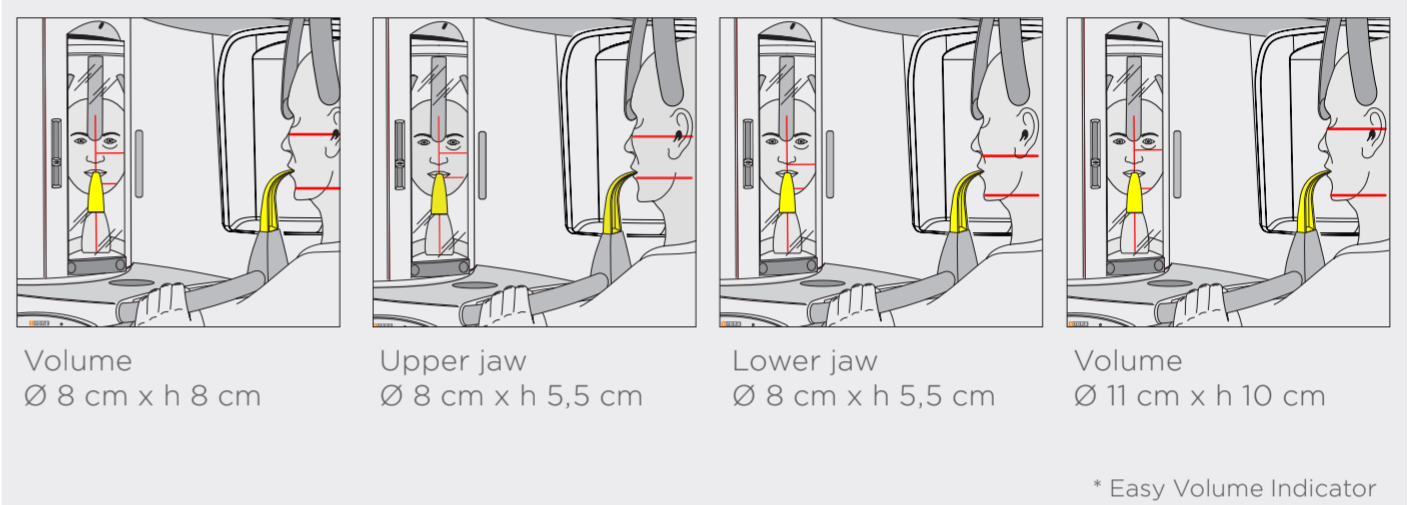
1 Front teeth of the upper and lower jaw

Position the front teeth of the upper and lower jaw in the marked notch of the bite block. The front teeth are then positioned exactly in the sharp slice. Ask the patient to hold the hand grips firmly with both hands. Then swivel the control mirror outwards.



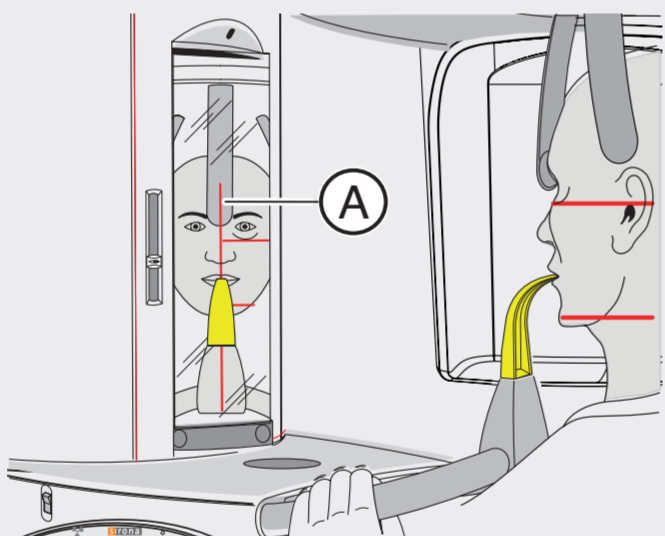
2 Checking the volume

Please switch on the EVI* light localizers. These automatically display the upper and lower limits of the selected volume.



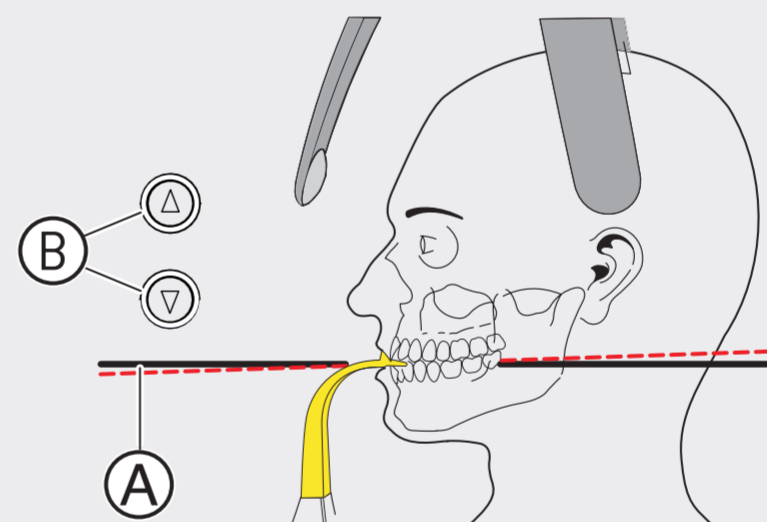
3 Checking the midsagittal plane

The light localizer is used to ensure symmetry. Align the patient (nasal root) with central light line (A) (midsagittal line). The swiveling control mirror helps with correct positioning.



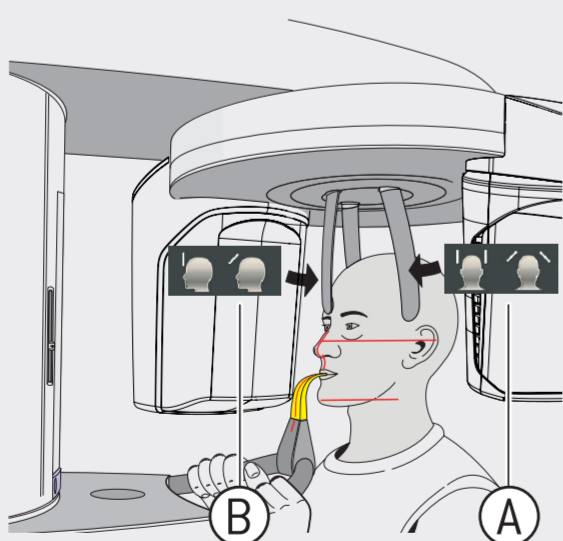
4 Checking the occlusal plane

Align the patient's head along the occlusal plane (A). Correct the patient's head inclination as necessary. Press the green height adjustment button until both buttons turn blue (B).



5 Head fixation

Check the midsagittal plane again. First close the temple supports (A) and then move the forehead support (B) until it just contacts the patient.



6 Before taking X-ray

While taking the X-ray you will hear an acoustic signal. Instruct the patient to hold this position until the end of the exposure in order to avoid artefacts.



Please read the instructions for use for a more detailed description.

Caution: Strong disinfectants can corrode the surface of the device. Therefore do not use substances containing phenol, peracetic acid, peroxide or other oxygen-splitting agents, sodium hypochlorite or iodine-splitting agents. Use only cleaning and disinfecting agents approved by Dentsply Sirona! You can find more information at dentsplysirona.com/careagents