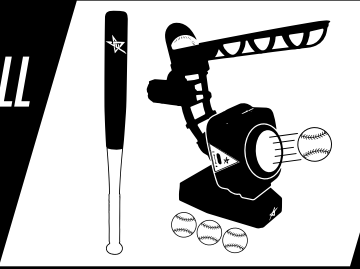


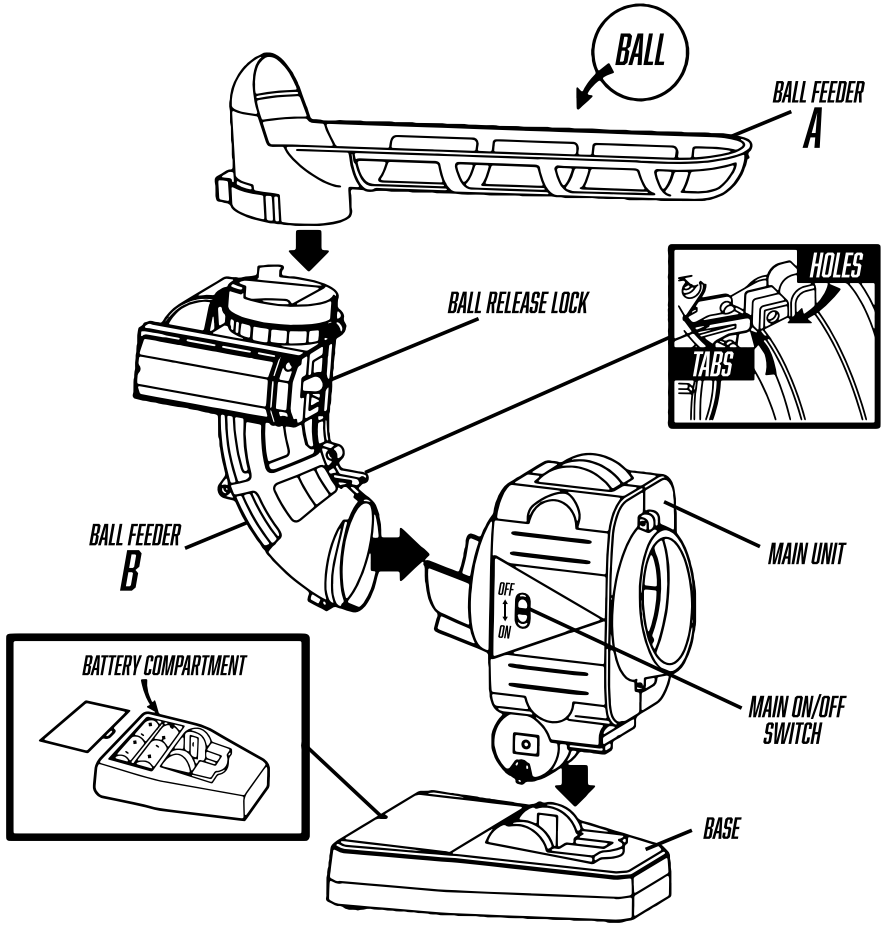
**FUTURE STARS**  
**ELECTRONIC BASEBALL PITCHING MACHINE**  
**INSTRUCTION MANUAL**



**WARNING**

1. HAIR CAN GET CAUGHT IN MAIN UNIT ROLLER MECHANISM. KEEP LONG HAIR PULLED BACK AND AWAY FROM MOVING PARTS.
2. CHANGES OR MODIFICATIONS ARE NOT ALLOWED.
3. FOLLOW INSTRUCTION MANUAL EXACTLY AS SHOWN.
4. NEVER PUT YOUR EYES OR FACE IN FRONT OF THE PITCHING HOLE.
5. NEVER USE OTHER TYPE OR SIZE OF BALL AS THIS WILL CAUSE DAMAGE TO THE MACHINE AND THE BAT.
6. ALWAYS TURN THE UNIT OFF WHEN NOT IN USE OR REPUT THE BALLS.

**PART IDENTIFIER**



**ASSEMBLY**

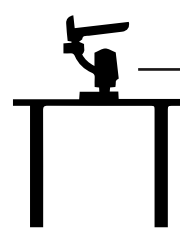
REFER TO THE IMAGE ON THE LEFT AND BELOW INSTRUCTIONS TO COMPLETE ASSEMBLY.

1. REMOVE ALL PARTS FROM THE PACKAGING CAREFULLY.
2. ATTACH THE MAIN UNIT TO THE BASE BY INSERTING MAIN UNIT'S SLOT INTO BASE'S SLOT OPENING.
3. PUSH BALL FEEDER B INTO THE BACK OF THE MAIN UNIT. MAKE SURE THE TABS ARE SECURELY SNAPPED INTO THE HOLES IN THE MAIN UNIT.
4. PUSH BALL FEEDER A ONTO THE TOP OF BALL FEEDER B. MAKE SURE THE LOCKING HOOKS ARE SECURELY SNAPPED INTO THE GAP ON BALL FEEDER A.

**OPERATING INSTRUCTION**

(PLEASE PLAY ACCORDING TO THE FOLLOWING GUIDES)

1. ENSURE THAT THE BALL RELEASE LOCK AND MAIN ON/OFF SWITCH ARE SET TO "OFF".
2. INSERT 4 "D" SIZE 1.5V BATTERIES (NOT INCLUDED).
3. MAKE SURE ALL PARTS ARE SECURELY FASTENED.
4. PLACE ALL 5 BALLS INTO BALL FEEDER A. TURN BOTH THE BALL RELEASE LOCK AND MAIN ON/OFF SWITCH TO "ON".
5. ADJUST BALL PITCHING ANGLE AND DISTANCE BY TILTING THE MAIN UNIT FORWARD OR BACKWARD.
6. TURN THE MACHINE "OFF" BEFORE LOADING THE BALLS EACH TIME.



USERS SHOULD DISTANCE THEMSELVES AT LEAST 3 METERS FROM THE PRODUCT TO AVOID BEING HIT BY BALL.



REQUIRES BATTERIES 4x

\*NOT INCLUDED



**BATTERY WARNINGS**

1. DO NOT MIX NEW AND OLD BATTERIES.
2. KEEP BATTERIES AWAY FROM FIRE, OR IT COULD RESULT IN EXPLOSION OR LEAK.
3. ALWAYS REMOVE EXHAUSTED BATTERIES FROM THE PRODUCT.
4. DO NOT SHORT CIRCUIT TERMINALS
5. DO NOT USE RECHARGEABLE BATTERIES.
6. ONLY USE THE RECOMMENDED TYPE OF BATTERIES.
7. CLEAN THE BATTERY CONTACTS AS WELL AS OTHER PARTS PRIOR TO BATTERY INSTALLATION.
8. PLEASE REMOVE ALL BATTERIES IF PRODUCT LEFT UNUSED FOR LONG TIME TO PRESERVE THE BATTERIES.

**IMPORTANT NOTES:**



**WARNING:** CHOKING HAZARD - SMALL PARTS. NOT FOR CHILDREN UNDER 3 YEARS.

1. CHECK ALL PARTS ARE INCLUDED BEFORE ASSEMBLY.
2. ALWAYS ASSEMBLE OR DISASSEMBLE THIS PRODUCT UNDER ADULT'S SUPERVISION.
3. PLEASE STOP ASSEMBLING IF THERE IS ANY DAMAGE ON THE PRODUCT.
4. PLEASE CHECK THE UNIT EVERY TIME BEFORE USING.
5. ALWAYS TURN THE UNIT OFF WHEN THE PRODUCT IS NOT IN USE.