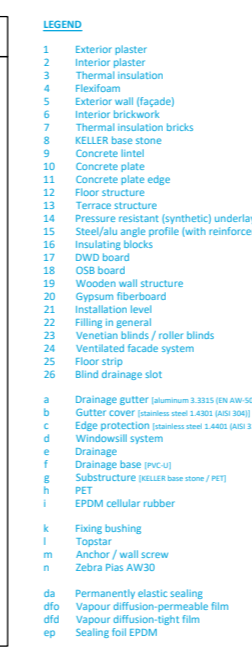
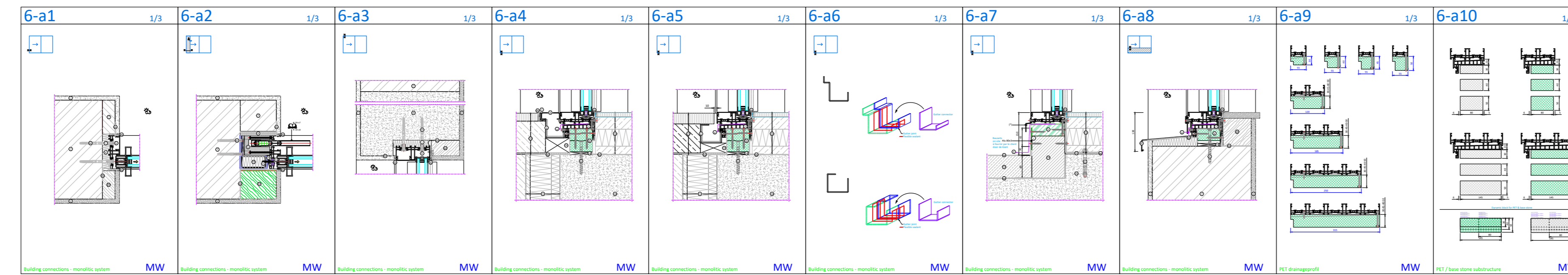
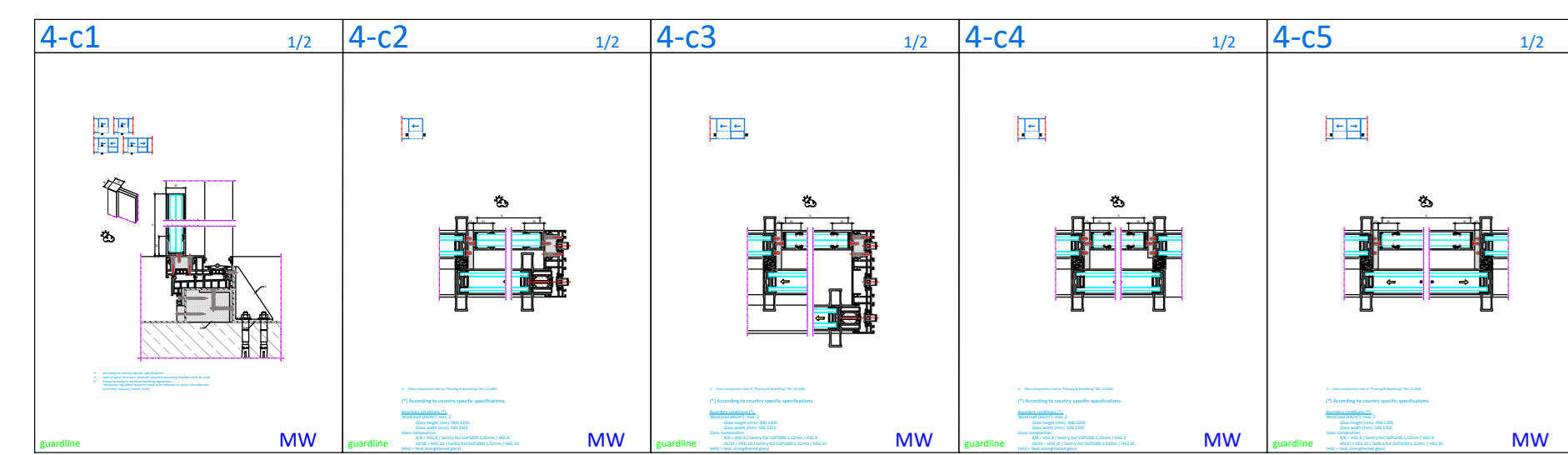
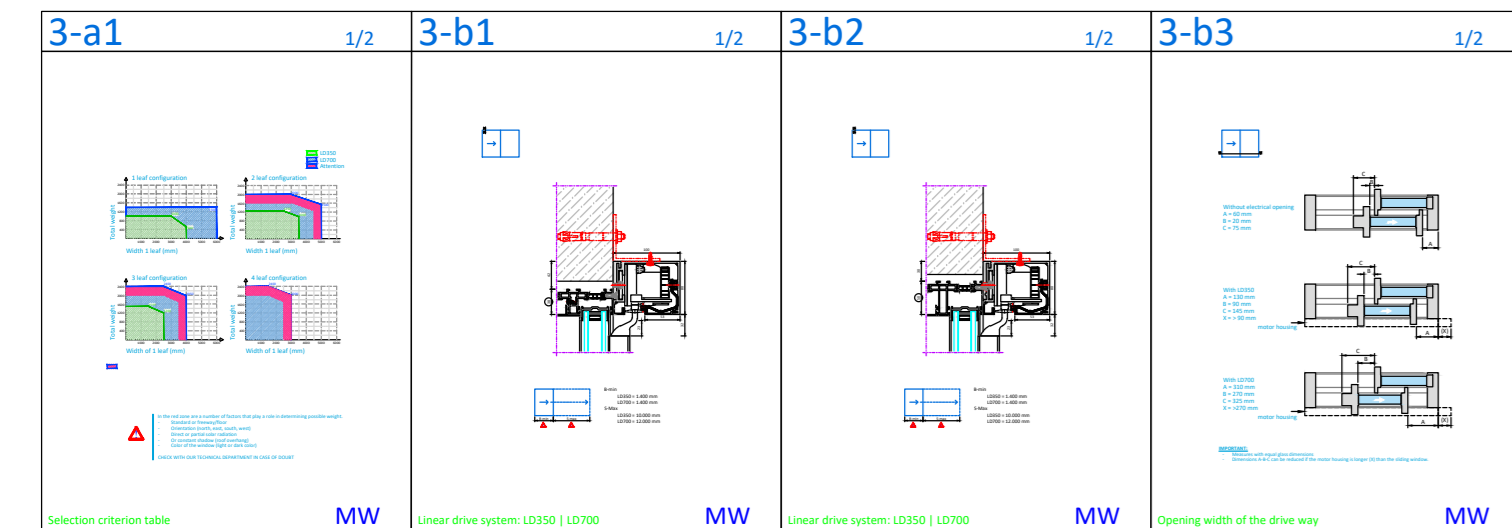


building connections: monolithic wall

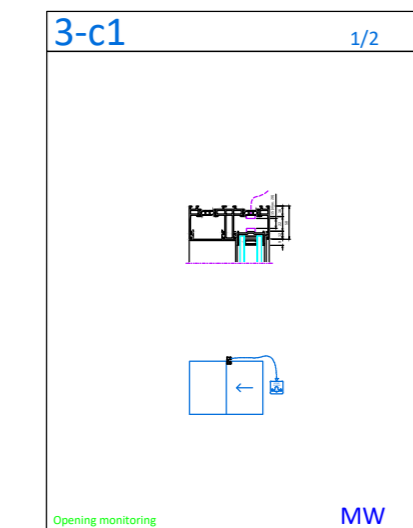
guardline



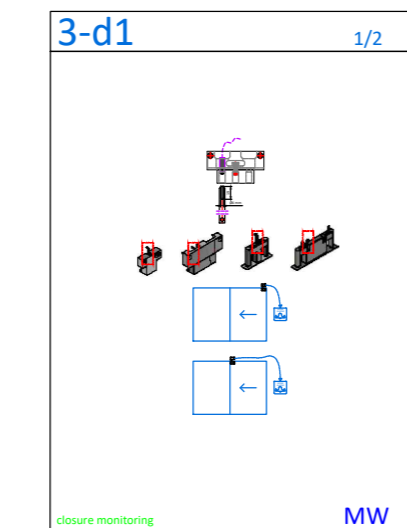
smart slider - LD - lateral drive



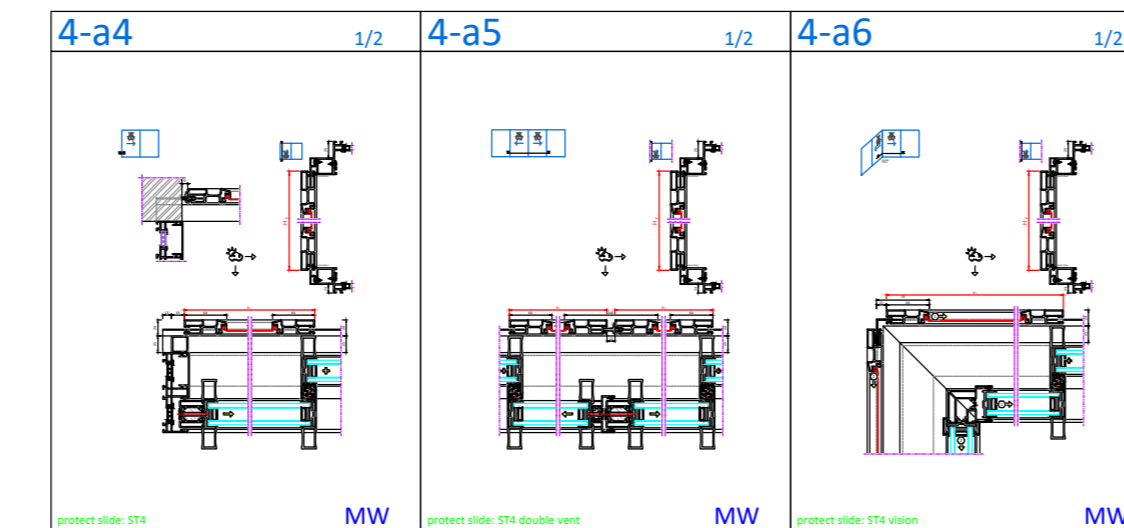
opening monitoring



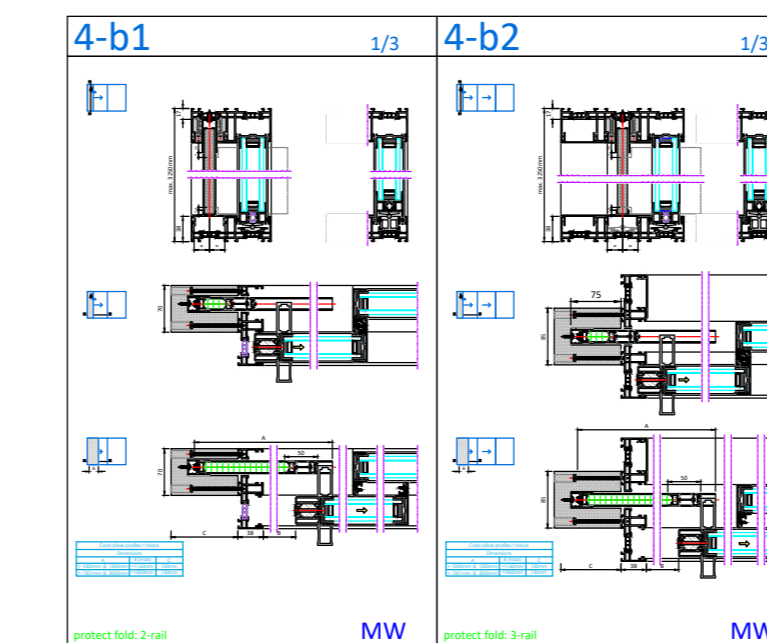
closure monitoring



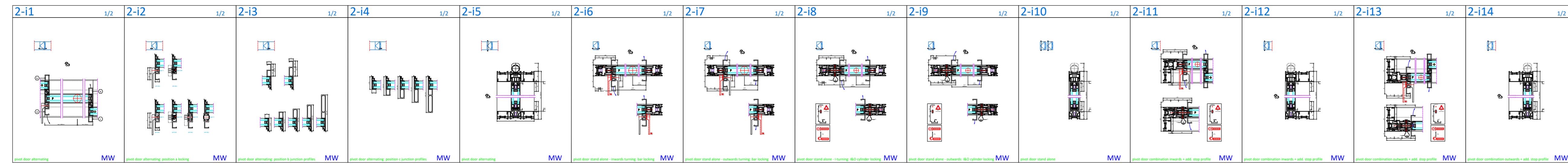
protect slide



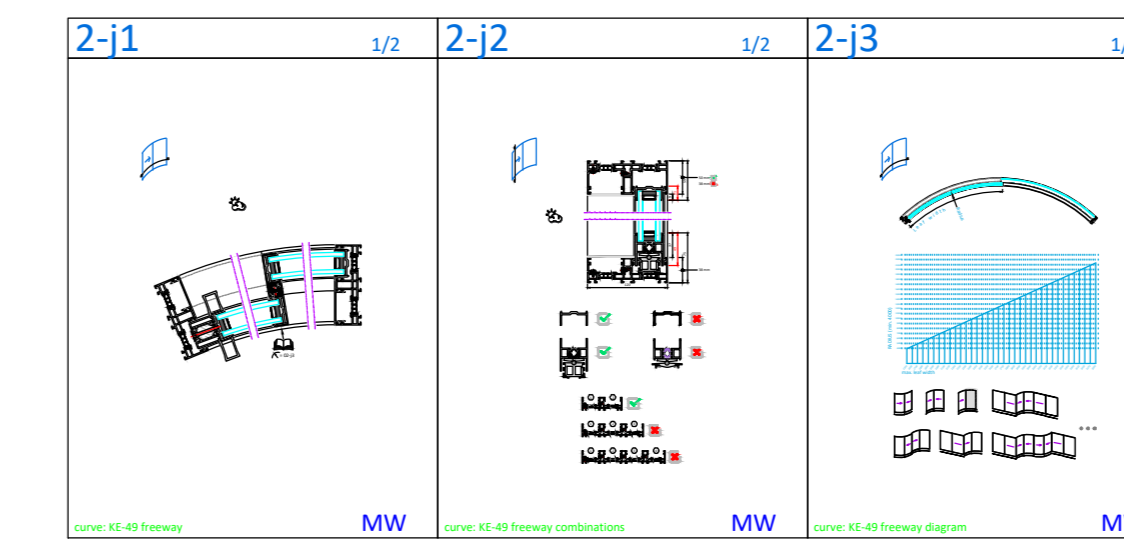
protect fold



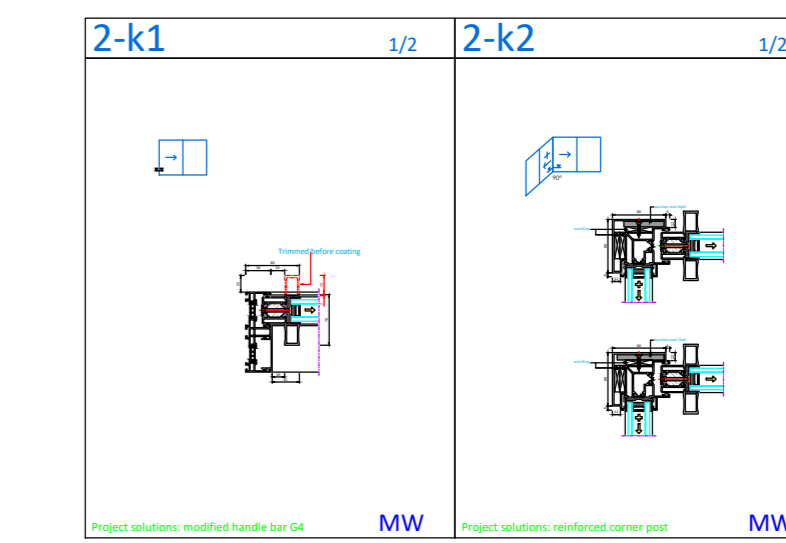
pivot



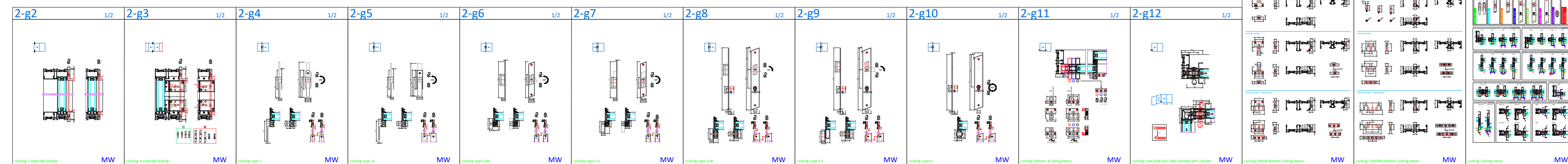
curve



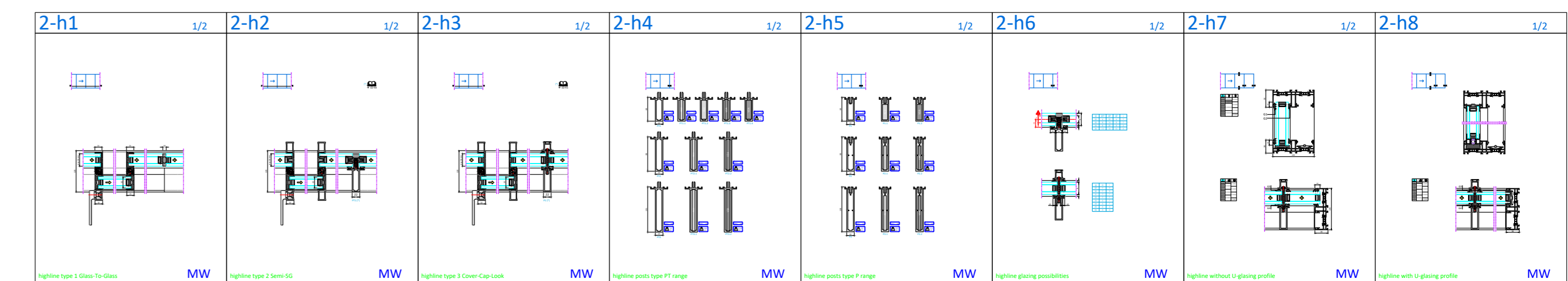
project solutions



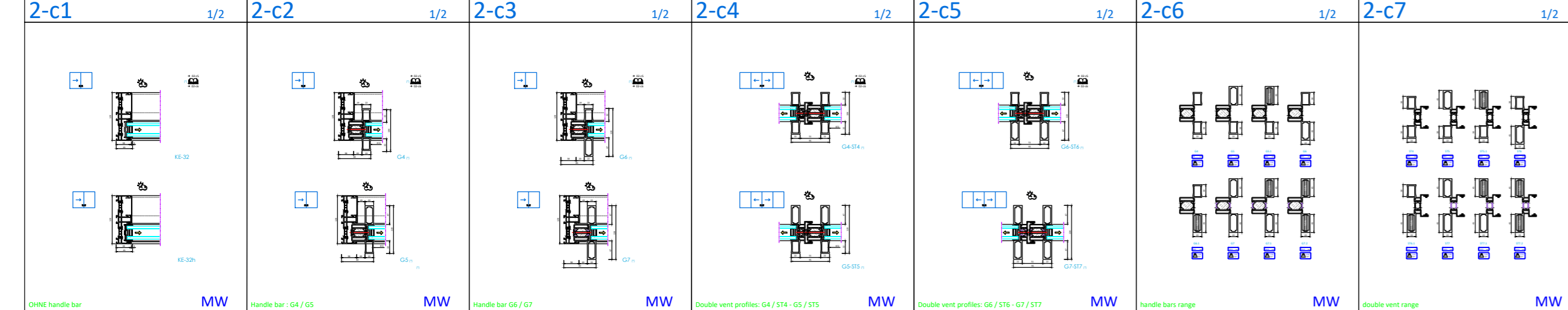
locking



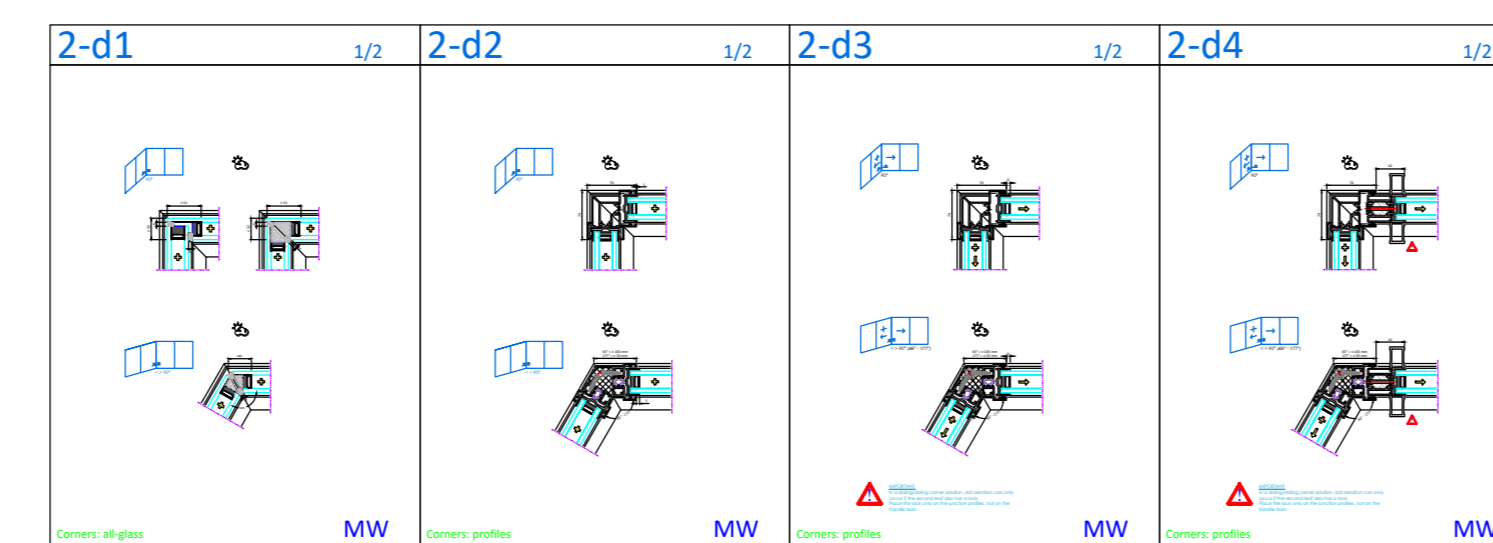
highline



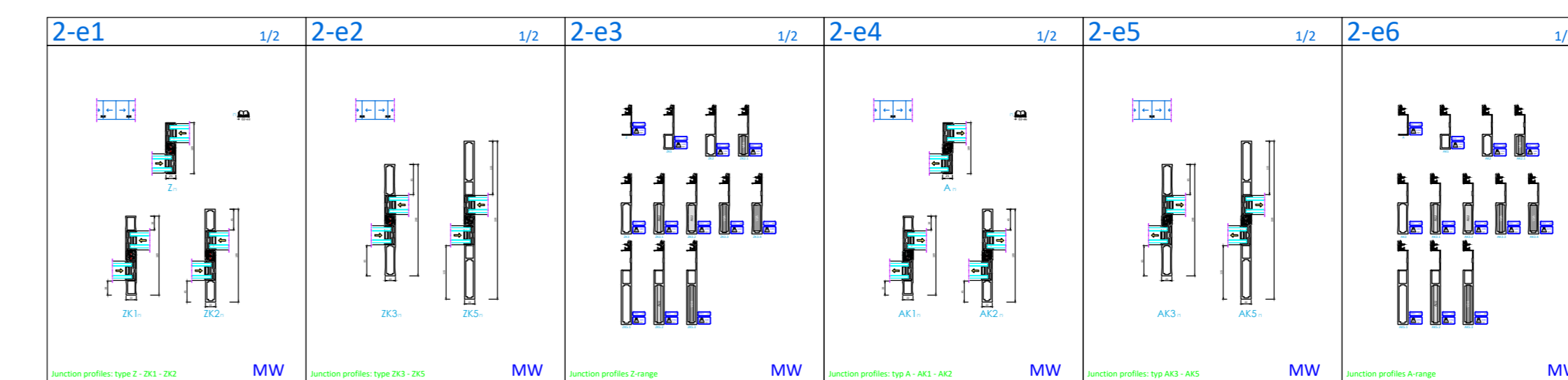
handle bar & double vent profile



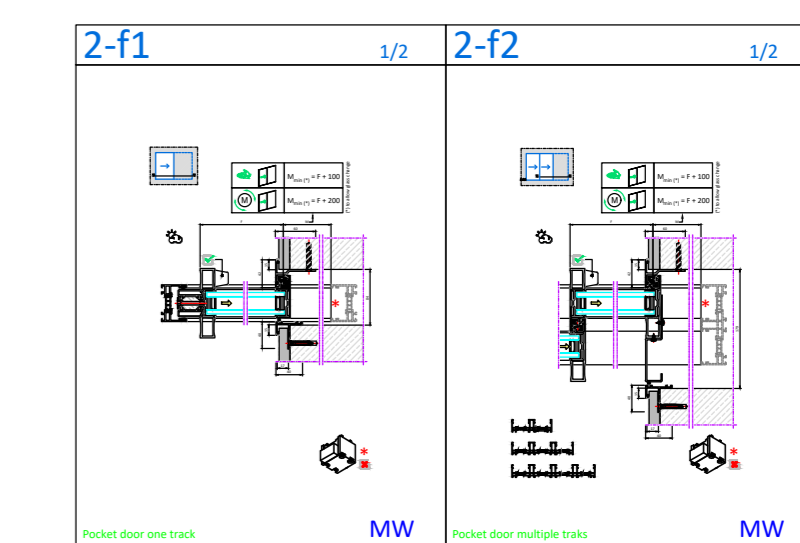
corner (vision)



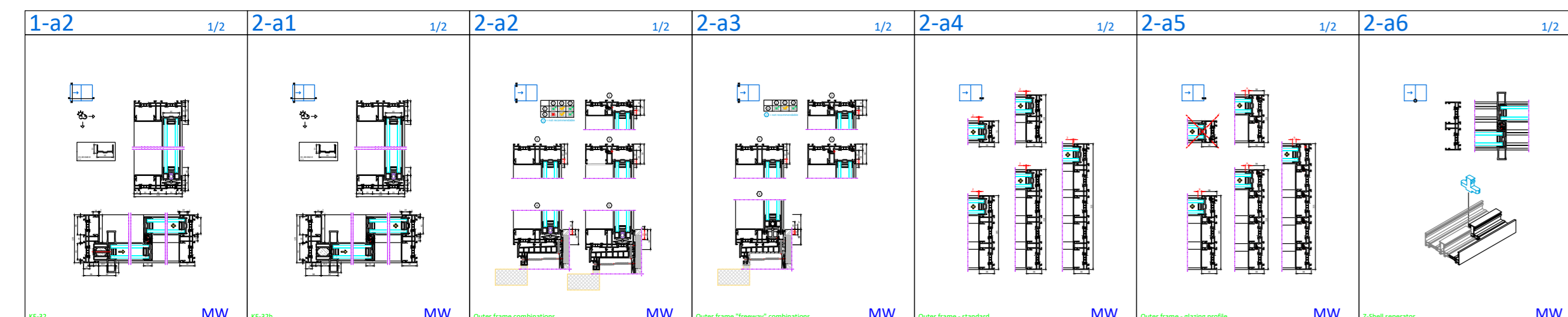
junction profile



pocket



outer frames



sash frame

