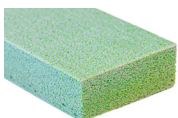
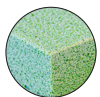
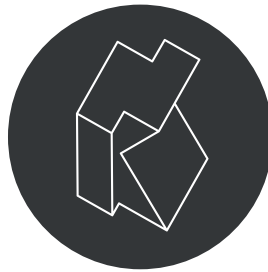


Floor connections

minimal windows®
minimal windows®4
minimal windows® NGS

www.minimal-windows.com





PET (Eco315)

high-quality, thermally and mechanically stable synthetic sheet based on recycled PET material.

Density	:315 kg/m ³ (± 10%)
Compression strength	:5,1 MPa
Thermal conductivity @ 23°C	:0,051 W/mK



base stone (purenit)

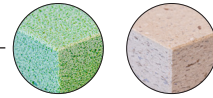
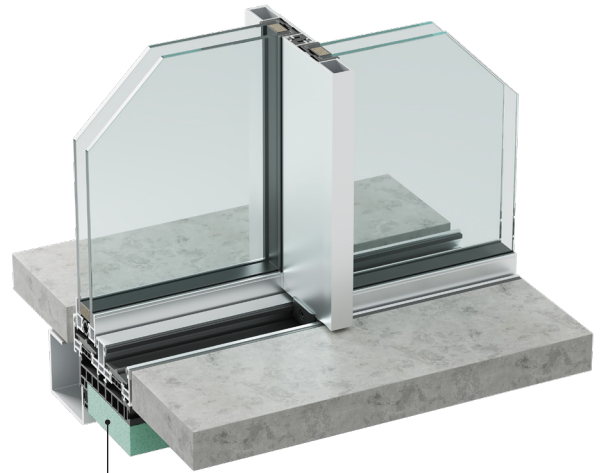
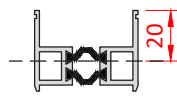
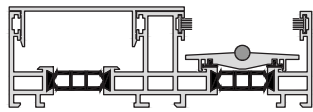
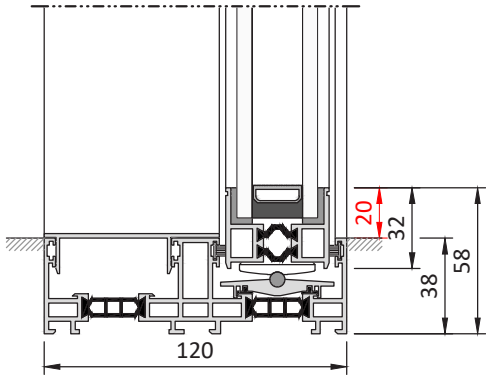
building board made of modified PUR rigid foam (polyurethane) with mineral fillers.

Density	:700 kg/m ³ (± 50 kg/m ³)
Compression strength	:7,1 MPa
Thermal conductivity @ 23°C	:0,06~0,08 W/mK

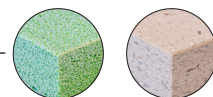
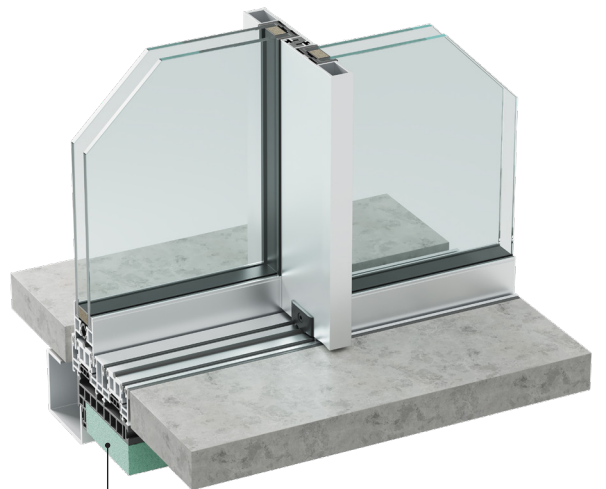
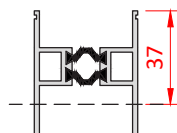
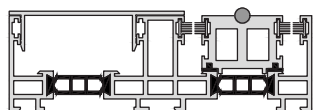
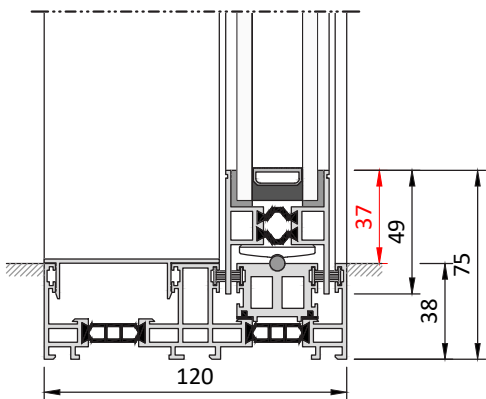


minimal windows®

standard

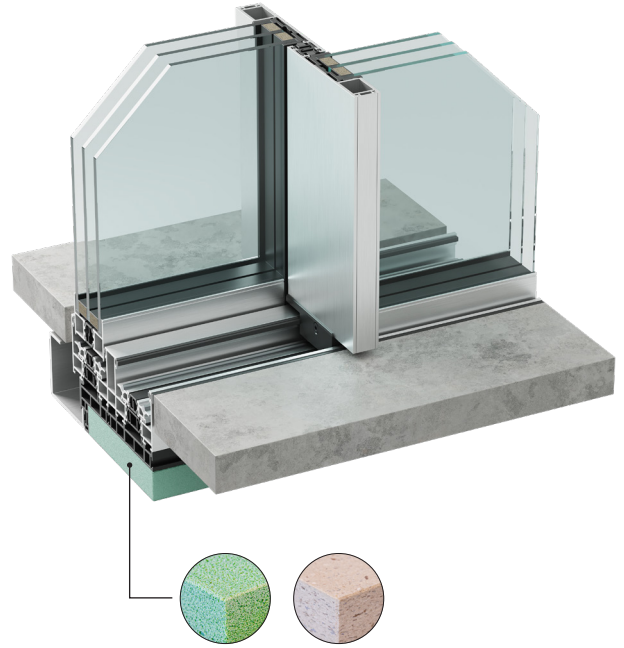
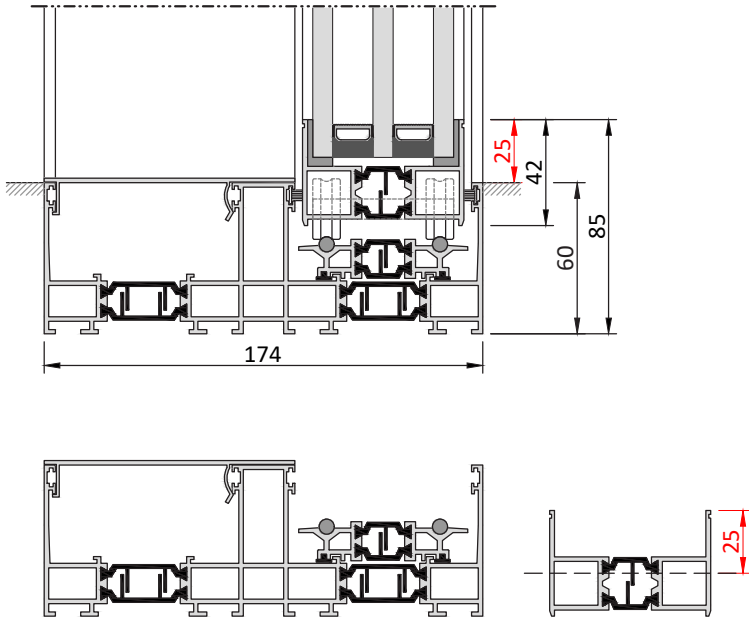


freeway

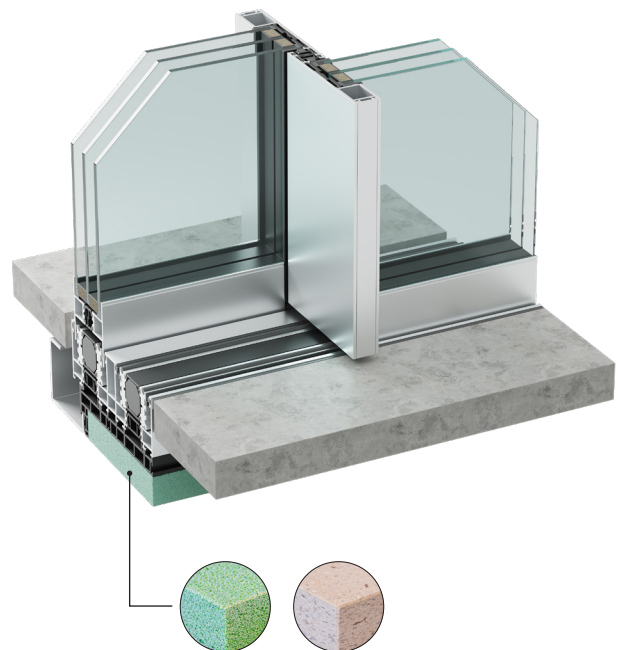
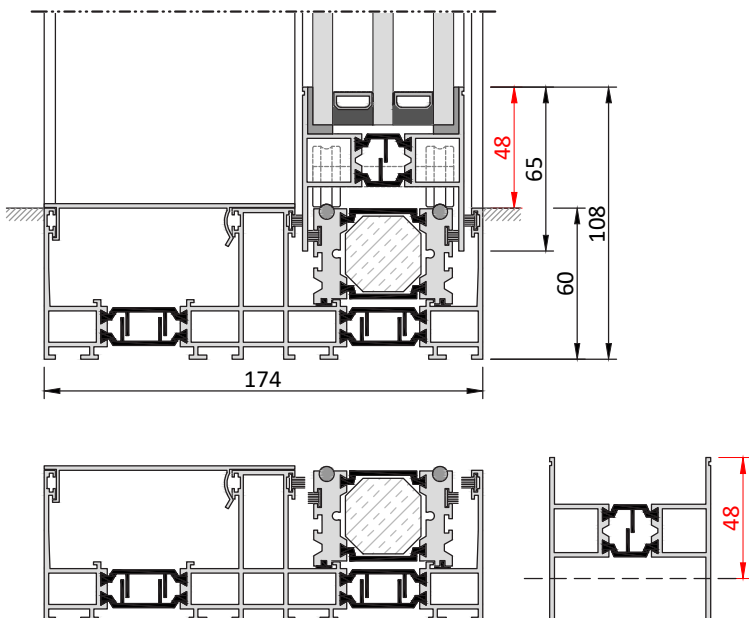


minimal windows® 4

standard

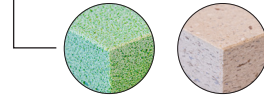
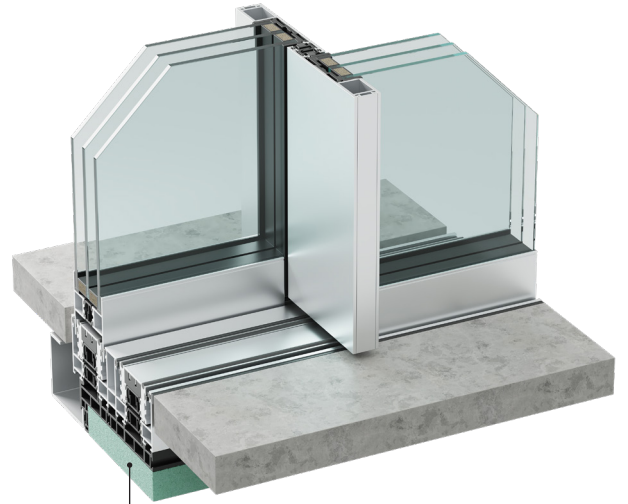
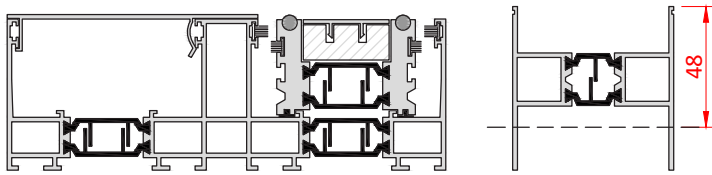
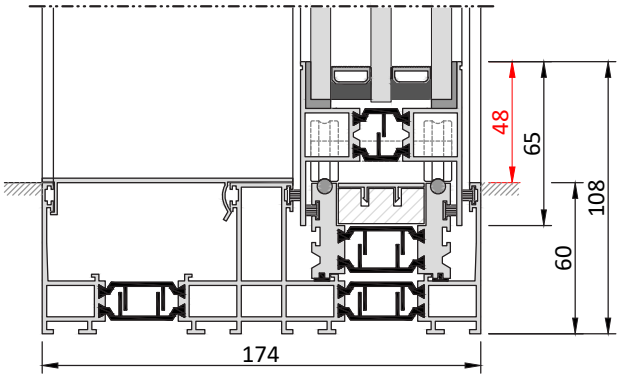


freeway

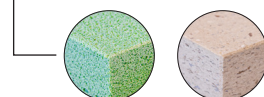
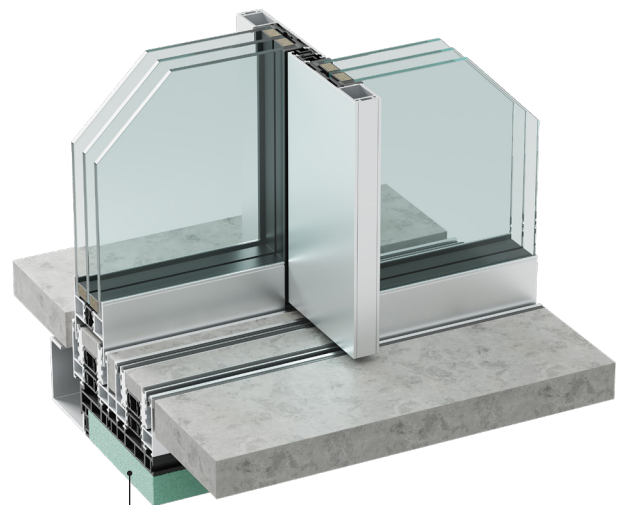
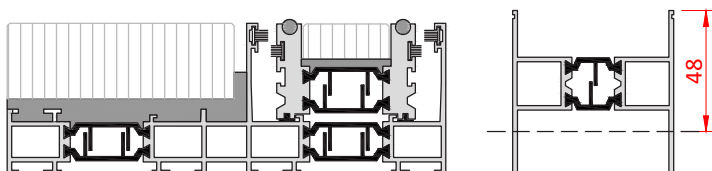
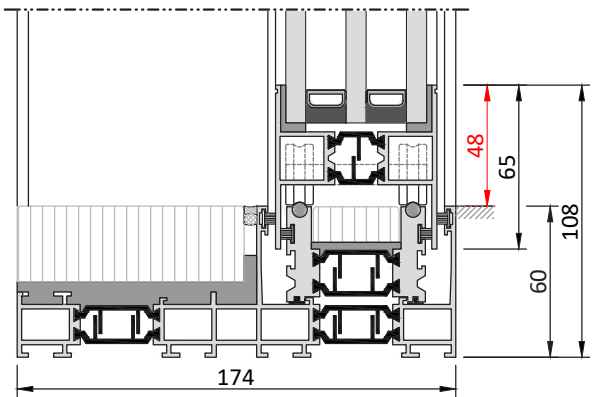




freeway CD

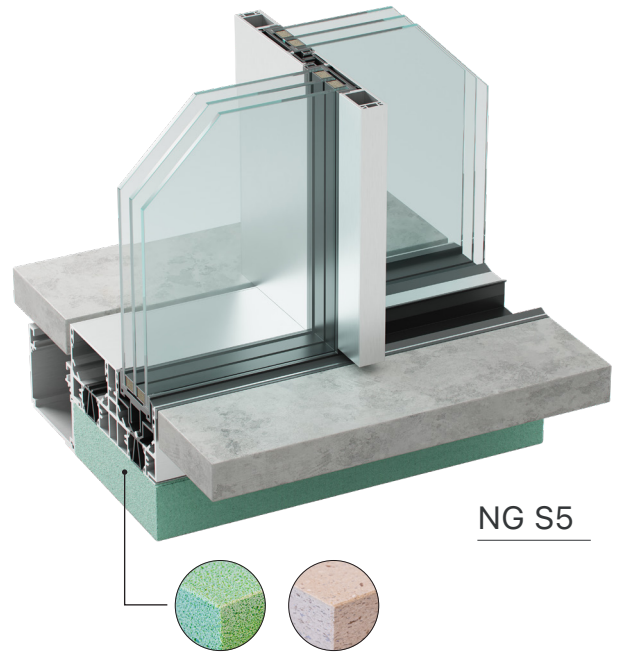
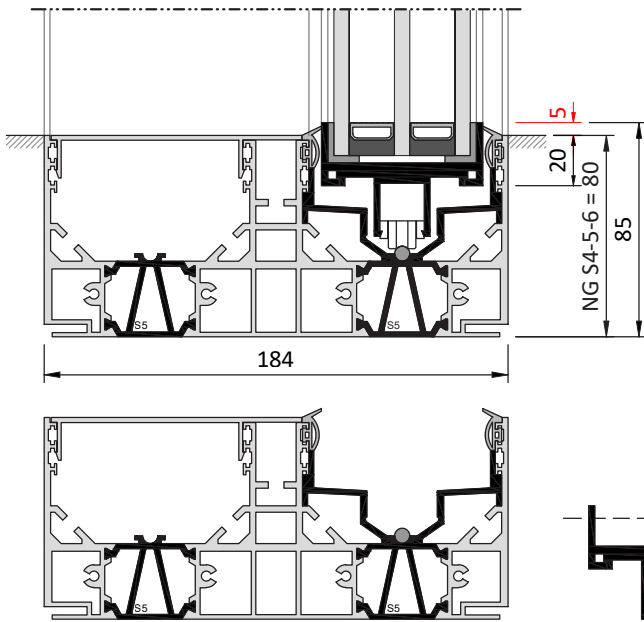


floor

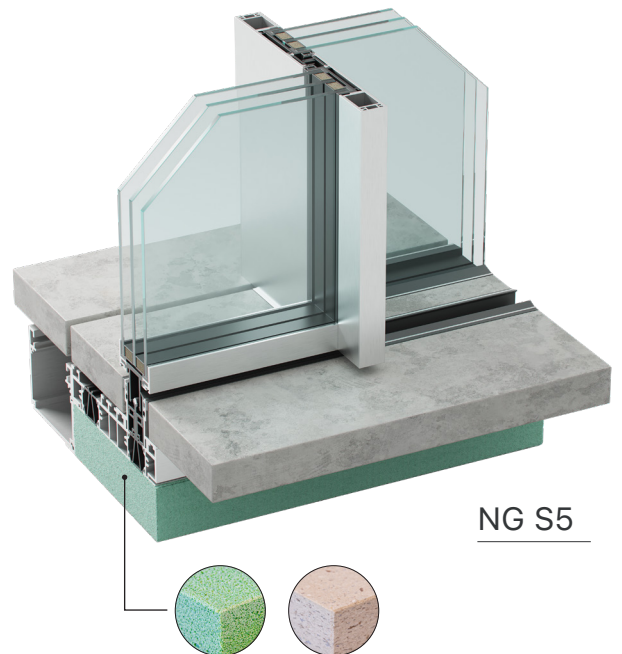
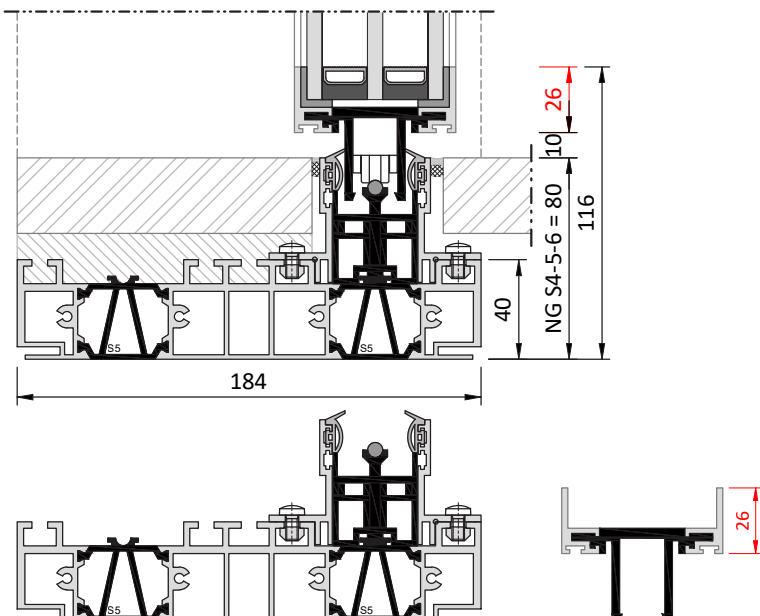


minimal windows® NGS

view

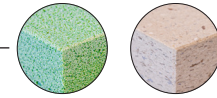
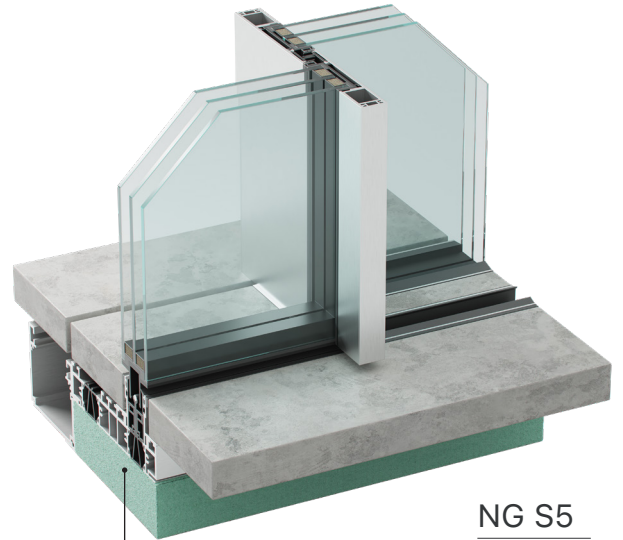
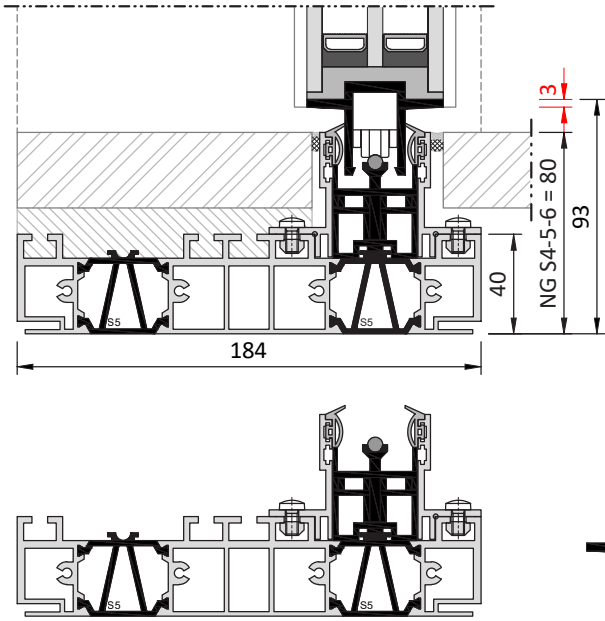


floor PL





floor CL



NGS overview

	view	floor PL	floor CL
NG S4			
NG S5			
NG S6			



Keller Minimal Windows s.A.

38-40, route de Wilwerdange
9911 Troisvierges
LUXEMBOURG

Telefon: +352 28 38 66 01
E-Mail: info@keller-minimal-windows.com

www.minimal-windows.com