

# Overview

---

## **Power up self-test:**

**If the top sensor is triggered – Traffic light flashes once every 2 seconds.**

**If the bottom sensor is triggered – Flashes twice every 2 seconds.**

NOTE: Super bright LED traffic lights are used. However there may be too much sunlight for even the brightest lights. If this situation occurs simply construct a shroud over the traffic light.

## **Full Auto System**

The rider clear timer is adjustable by pressing the calibrate mode button located on the right side of the traffic light panel. The green light will flash then remain on to indicate that the system is in the calibrate mode. The system will wait for a rider to be dispatched and indicate when they have reached the bottom of the slide (RED light on). The system then waits for you to press the calibrate button once again after counting off seconds, which sets the ride clear timer. Once the timer has been set, the green light will flash once for each second that the timer is set at. The system then will go back to the normal run mode. To reset the timer, press the calibrate button during power up. The light will flash three times and the timer will be reset to 0.

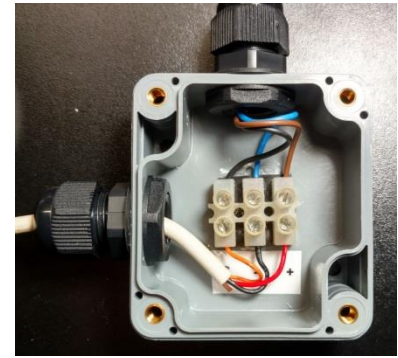
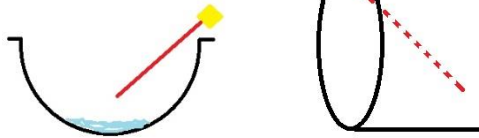
On power up after a 5 second delay and after a self- test, run mode starts with the traffic light GREEN and the cycle is ready to start.

- Rider trips top sensor and the light turns red.
- After rider trips the bottom sensor the ride clear timer starts.
- Ride clear timer times out and the light turns green restarting the cycle.

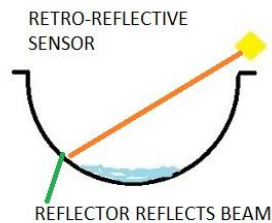
## **Manual System**

On power up after a 5 second delay and after a self- test, run mode starts with the traffic light RED and the cycle is ready to start.

- Operator presses the start button and light turns green.
- Rider trips top sensor and the light turns red.
- After rider trips bottom sensor the light flashes green and red.
- Operator presses start button and the light turns green restarting the cycle.



The entrance sensor should be mounted far enough down the slide so that a rider does not activate the sensor while waiting in the staging area. On a tube slide, the sensor can be mounted so that it points into the tube. They should also be mounted facing away from the prevailing angle of the sun because they are infra-red sensors. Remove protective layer from supplied VHB tape and attach the sensor bracket. Do the same with the junction box. Clean areas with rubbing alcohol and let dry before attaching. NOTE: The sensors need a clear line of site, do not set them back too far from the edge where they are mounted. The reflective tape should be placed on the opposite side. The tape **MUST** be above the water line. Temporarily attach the reflective tape using masking tape without covering too much of the reflector. This will allow you to reposition the tape if necessary. Power up the system and align sensor so that the LED lights up. Mark the position of the reflective tape with a pencil outline. Remove the backing from the reflective tape and complete attachment. If you power up the system you can place your hand in front of the sensor and the sensor should be triggered.



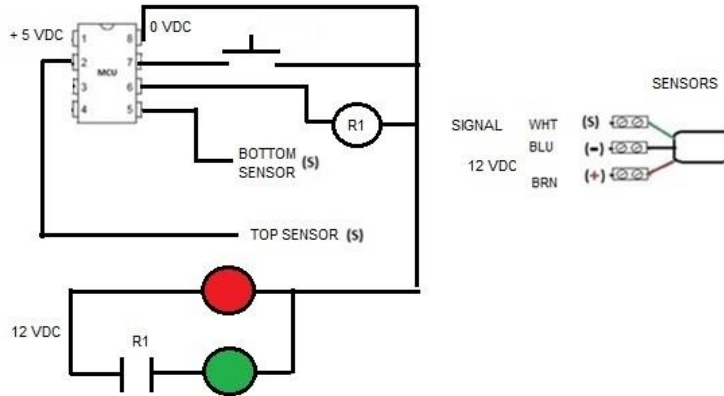
**Verify Installation: Once the system is installed, POWER ON THE SENSORS AND CHECK THAT ALL RIDERS ARE PICKED UP.**

After verifying where to install the sensors, you can drill mounting holes and bolt in place if you prefer. Mounting the traffic light/controller

Mount the traffic light using the MOUNTING TABS (feet). All wiring cable glands or conduit must be run to the bottom of the enclosure.

# Wiring

Run the ac supply to the right side of the main enclosure (line to L, and neutral to N). Total current draw is less than 1 AMP. Run wiring from the sensors and start button to the control panel (following the terminal designations). **Minimum 24 AWG** Color coded jacketed cable works best.



# SPECIFICATIONS

SUPPLY VOLTAGE – 120 VAC TO 240 VAC

CONTROL VOLTAGE – 12 VDC

# TROUBLE SHOOTING

PROBLEM	SOLUTION
NO TRAFFIC LIGHTS	CHECK AC INPUT TO POWER SUPPLY
	CHECK FOR 12 VDC OUTPUT FROM POWER SUPPLY
	CHECK FOR 5 VDC OUTPUT FROM DC-DC CONVERTER ON PCB
	CHECK WIRING CONNECTIONS
SYSTEM NOT CHANGING TRAFFIC LIGHTS	CHECK FOR 12 VDC SUPPLY TO SENSORS
	CHECK SENSORS ARE BEING TRIGGERED AND ADJUST IF NEEDED

## Warranty

This EZ People Counters product has a warranty against defects in material and workmanship for a period of 90 days from the date of shipment. During the warranty period, EZ People Counters, will at its option, either repair or replace products that prove to be defective. This warranty is extended to the original purchaser of the equipment only.

For warranty service or repair, the product must be properly packaged and returned to EZ People Counters. The purchaser shall prepay all charges for shipping to EZ People Counters and EZ People Counters will pay the shipping charges to return the product to the purchaser as long as the product is shipped within the United States. If the product is shipped outside the United States, the purchaser shall pay all shipping charges, duties and taxes.

## Limitation

The forgoing warranty shall not apply to defects or damage resulting from improper use or misuse, unauthorized repair, tampering, modification, improper connection, or operation outside the electrical or mechanical specifications of the product. The warranty does not cover acts of God, such as fire, flood, lightning etc. This warranty does not cover damage to property, equipment, direct or indirect consequential or incidental damage including damage for loss of business or business interruption arising out of misuse of this product.

Under no circumstances will the liability of EZ People Counters exceed the original purchase price of the product. No other warranty is expressed or implied. Some jurisdictions may not allow the exclusion of limitation of liability for consequential or incidental damage.

## **EZ People Counters**

**234 430-2084**

**[www.ezpeoplecounters.com](http://www.ezpeoplecounters.com)**

© Copyright EZ-Aquamatic 2009