



# FF820 Freestanding Full Height Larder Fridge

Manual for Use

---

## Important

The CDA Group Ltd cannot be held responsible for injuries or losses caused by incorrect use or installation of this product. Please note that CDA reserve the right to invalidate the guarantee supplied with this product following incorrect installation or misuse of the appliance.

This appliance is not designed to be used by people (including children) with reduced physical, sensorial or mental capacity, or who lack experience or knowledge about it, unless they have had supervision or instructions on how to use the appliance by someone who is responsible for their safety.

Under no circumstances should any external covers be removed for servicing or maintenance except by suitably qualified personnel.

### **Appliance information:**

Please enter the details on the appliance rating plate below for reference, to assist CDA Customer Care in the event of a fault with your appliance and to register your appliance for guarantee purposes.


## **CE Declarations of Conformity:**

This appliance has been designed, constructed and marketed in compliance with safety requirements of EEC Directive 2006/95/EEC (Low voltage) and requirements of EMC Directive 2004/108/EEC.

This appliance has been manufactured to the strictest standards and complies with all applicable legislation, including Electrical safety (LVD) and Electromagnetic interference compatibility (EMC). Parts intended to come into contact with food conform to EEC/89/109.4

## **IMPORTANT INFORMATION FOR CORRECT DISPOSAL OF THE PRODUCT IN ACCORDANCE WITH EC DIRECTIVE 2002/96/EC.**

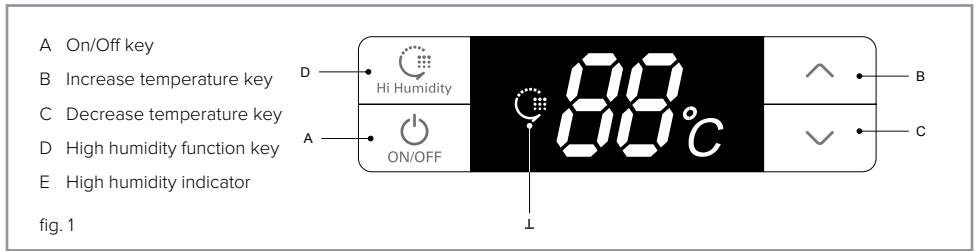
At the end of its working life, the product must not be disposed of as urban waste. It must be taken to a special local authority differentiated waste collection centre or to a dealer providing this service.

Disposing of a household appliance separately avoids possible negative consequences for the environment and health deriving from inappropriate disposal and enables the constituent materials to be recovered to obtain significant savings in energy and resources. As a reminder of the need to dispose of household appliances separately, the product is marked with a crossed-out wheeled dustbin. 

# Use

- Do not use electrical devices inside the refrigerator.
- Do not damage the refrigerant circuit.
- Do not use flammable solvents near the appliance.
- Do not place heavy items on top of the refrigerator.
- Do not splash water onto the top or back of this appliance.
- Never put liquids in the refrigerator uncovered.
- Never put hot foods in the refrigerator. Warm food should be allowed to cool to room temperature before being put into the refrigerator.
- Nothing should rest against the internal rear wall of the refrigerator, as this will cause frost and possible condensation problems which will be difficult to remove.
- Never store inflammable or explosive items and strong corrosive acids or alkalis in the appliance.
- This is a household appliance, which is produced in accordance with the national standard. It is intended for food storage only, not for storage of blood, medicine and biological products.
- To prevent risk of fire, keep the appliance away from petrol or any other inflammables.
- To prevent risk of electromagnetic interference or other accidents, do not place a microwave oven on top of the refrigerator or use any electric appliance inside the refrigerator.
- Do not splash water onto the appliance. Keep it away from places of high humidity that may have adverse effect on the electric insulation performance.
- This appliance is designed to be used in ambient temperatures between 10 and 43°C. Use outside of this range may cause the appliance to fail.

# Control Panel



## Switching the fridge on and off

To switch on the fridge for the first time, press and hold the On/Off key (A) for three seconds. The fridge will beep twice, and will run at the factory preset temperature of 5°. To switch the fridge off, press and hold the On/Off key for three seconds.

## Setting the temperature

Press the increase or decrease temperature keys (B & C) to select the required temperature between 2° and 8°. Once the required temperature is shown on the display, the temperature will set after five seconds' delay and the fridge will beep twice to confirm the setting.

The fridge will take some time to adjust to the new settings. This will depend on the difference between the old and new settings, the ambient temperature, the amount of food in the fridge and the number of times the door is opened.

## High humidity function

The fridge is equipped with a high humidity function which can prolong the life of some foods. To switch on the high humidity function, press and hold the high humidity for three seconds. The

high humidity indicator will show on the display and the fridge will beep twice to confirm the setting. To switch the high humidity function off, press and hold the high humidity key for three seconds. The high humidity indicator on the display will switch off and the fridge will beep twice to confirm the setting.

**Please note:**

The temperature will show on the display for 30 seconds after the door has been opened, or a key has been pressed on the control panel before switching off automatically. To switch the display on, press any key.

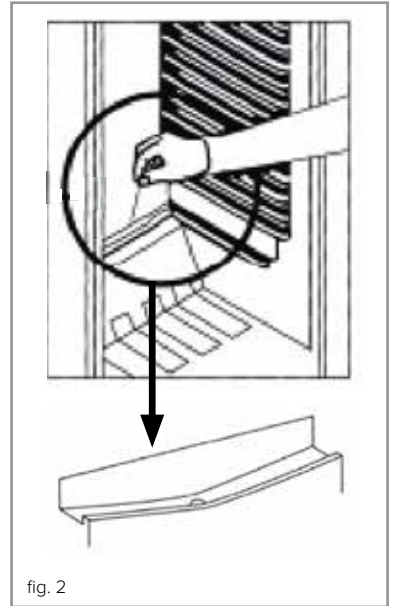
In the event of a power failure, the fridge temperature settings will be restored to the programmed levels when the power returns.

**Over temperature alarm**

The fridge is equipped with an over temperature alarm to warn when the temperature in the fridge has been over 15° for six hours or more. The fridge will beep ten times every thirty minutes until the fridge temperature is below 10°, and the fault code E9 will show on the display. Press any key to switch the alarm off. E9 will continue to show on the display until the fault is resolved.

# Defrosting the Fridge

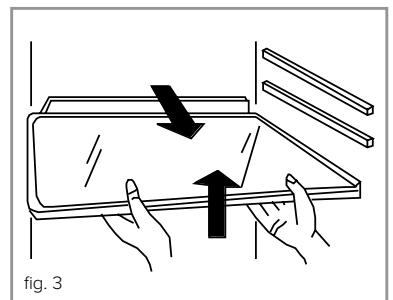
The fridge is self-defrosting. The defrosted water is collected in the evaporating tray at the back of the appliance.



## Adjusting the shelves

The fridge shelves can be moved according to the storage requirements within the fridge section.

To move the shelf, lift up the front section and then pull it outwards. To replace, slide the shelf back into the slot, and then lower the front section.



# Care and Cleaning

**Always disconnect the appliance from the power supply before any cleaning or maintenance.**

- The refrigerator should be cleaned using a solution of bicarbonate of soda and lukewarm water.
- Do not use abrasive products or detergents. After washing, rinse and dry thoroughly.
- Clean the shelves and balconies separately by hand using soap and water. Do not put them in the dishwasher.
- Once cleaning is complete, reconnect the mains power supply.
- If the appliance is not used for prolonged periods of time or in the event of a prolonged power cut unplug and clean the appliance. The doors should be left slightly open to prevent the formation of mildew and smell.
- The door seal should be cleaned periodically.
- Clean the control panel with a dry cloth.
- Fingerprints are easily left on the exterior of this appliance. Use a dry towel to clean them off.
- Periodically dust the back and underneath of the refrigerator.
- If food products come into contact with the refrigerator's exterior surface, we recommend that you clean them off immediately.
- When disposing of this appliance, remove the door seal to avoid accidental entrapment.
- Please remove the door, door seal and shelves before disposal of the old appliance and put them away in a safe place to prevent children from being entrapped.



|C|D|A|

