















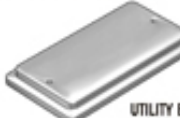
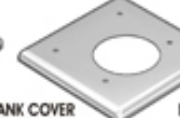

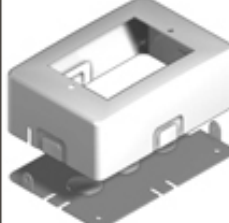
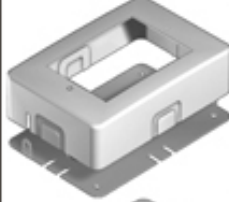



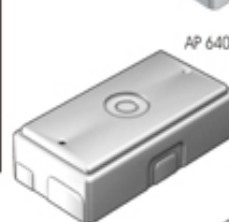






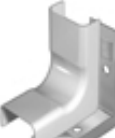



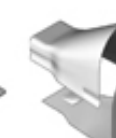
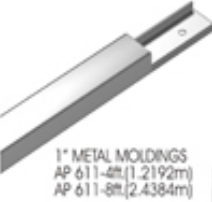



AMCO WALL PLATES/ METAL BOX & CABLE RUNNER

 ONE SILENT w/ STRAP AP 661-S Stainless Plate AP 661-A Aluminum Plate AP 661-M Painted Plate	 TWO SILENT w/ STRAP AP 662-S Stainless Plate AP 662-A Aluminum Plate AP 662-M Painted Plate	 THREE SILENT w/ STRAP AP 663-S Stainless Plate AP 663-A Aluminum Plate AP 663-M Painted Plate	 V-ONE SILENT w/ STRAP AP 664-S Stainless Plate AP 664-A Aluminum Plate AP 664-M Painted Plate
 ONE GANG w/ STRAP AP 665-S Stainless Plate AP 665-A Aluminum Plate AP 665-M Painted Plate	 TWO GANG w/ STRAP AP 666-S Stainless Plate AP 666-A Aluminum Plate AP 666-M Painted Plate	 THREE GANG w/ STRAP AP 667-S Stainless Plate AP 667-A Aluminum Plate AP 667-M Painted Plate	 ONE GANG VERTICAL AP 668-S Stainless Plate AP 668-A Aluminum Plate AP 668-M Painted Plate
 TOGGLE SWITCH AP 669-S Stainless Plate AP 669-A Aluminum Plate AP 669-M Painted Plate	 DUPLEX OUTLET AP 670-S Stainless Plate AP 670-A Aluminum Plate AP 670-M Painted Plate	 SINGLE OUTLET AP 671-S Stainless Plate AP 671-A Aluminum Plate AP 671-M Painted Plate	 PUSH BUTTON SINGLE AP 672-S Stainless Plate AP 672-A Aluminum Plate AP 672-M Painted Plate
 TELEPHONE JACK w/ 3/8 HOLE AP 673-S Stainless Plate AP 673-A Aluminum Plate AP 673-M Painted Plate	 TELEPHONE JACK w/ 3/8 HOLE AP 674-S Stainless Plate AP 674-A Aluminum Plate AP 674-M Painted Plate	 BLANK COVER AP 675-S Stainless Plate AP 675-A Aluminum Plate AP 675-M Painted Plate	 TELEPHONE JACK w/ 3/8 HOLE AP 676-S Stainless Plate AP 676-A Aluminum Plate AP 676-M Painted Plate
 UTILITY BLANK COVER MODEL NO. 675 G8	 RANGE PLATE AP 701-S Stainless Plate AP 701-A Aluminum Plate AP 701-M Painted Plate	 JUNCTION BLANK COVER Zinc Plated Bl Sheet AP 677- 3"X3" AP 678- 4"X4"	

 AP 631 METAL BOX D=1 3/8" [34.93mm] W=3" [76.2mm] L=4 1/2" [114.3mm]
 AP 632 METAL BOX D=1" [25.4mm] W=3" [76.2mm] L=4 1/2" [114.3mm]
 AP 633 METAL BOX D=3/4" [19.05mm] W=3" [76.2mm] L=4 1/2" [114.3mm]
 AP 637-B METAL CO BOX D=1" [25.4mm] W=2" [50.8mm] L=4" [101.6mm]
 AP 637-A METAL DUPLEX OUTLET D=1" [25.4mm] W=2" [50.8mm] L=4" [101.6mm]

 AP 638 METAL BOX w/ SWITCH D=1" [25.4mm] W=2" [50.8mm] L=4" [101.6mm]
 AP 638-B TOGGLE SWITCH BOX D=1" [25.4mm] W=2" [50.8mm] L=4" [101.6mm]
 AP 640 METAL UTILITY BOX D=1" [25.4mm] W=2" [50.8mm] L=4" [101.6mm]
 AP 634 METAL ROUND RECEPTACLE D=1 1/2" [38.1mm] W=3" [76.2mm]
 AP 635 METAL ROUND ROSETTE D=1 1/2" [38.1mm] W=3" [76.2mm]
 AP 638-B UTILITY ADAPTER D=3/4" [22.22mm] W=2 1/2" [60.32mm] L=4" [101.6mm]

 1/2" INTERNAL ELBOW AP 604	 1/2" FLAT ELBOW AP 603	 1/2" METAL TEE AP 602	 1/2" EXTERNAL ELBOW AP 605	 METAL ADAPTER AP 622
 1" INTERNAL ELBOW AP 614	 1" FLAT ELBOW AP 613	 1" METAL TEE AP 612	 1" EXTERNAL ELBOW AP 615	 COMBINATION CONNECTOR AP 621
 1" METAL MOLDINGS AP 611-4ft. [1.2192m] AP 611-8ft. [2.4384m]	 1/2" METAL MOLDINGS AP 601-4ft. [1.2192m]			