

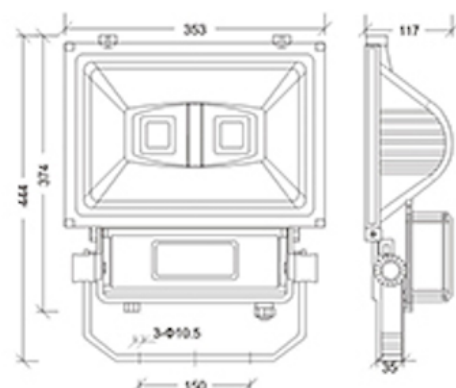
AMCO ALUMINUM DIE-CAST LED FLOODLIGHT

FLOOD LIGHT (LED)



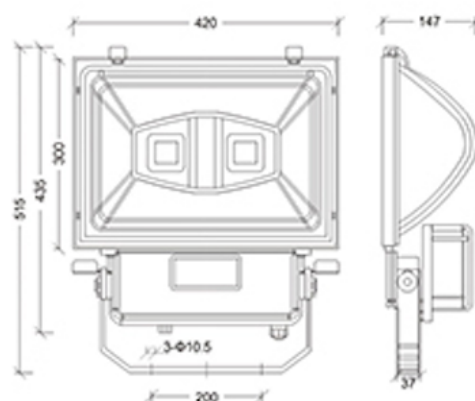
AMCO Model	Power
C80AL(LED)-80W	80W
C80AL(LED)-120W	120W

Specification	
Input Voltage	AC90 - 260V 50/60Hz
Light Efficiency	95- 100Lm/W
Color Temperature	3000K/4500K/6000K
Operating Temperature	-40°C - +60°C
Power Factor	>0.95
Color Rendering Index (Ra)	>72
Viewing Angle	120°
IP Grade	IP65



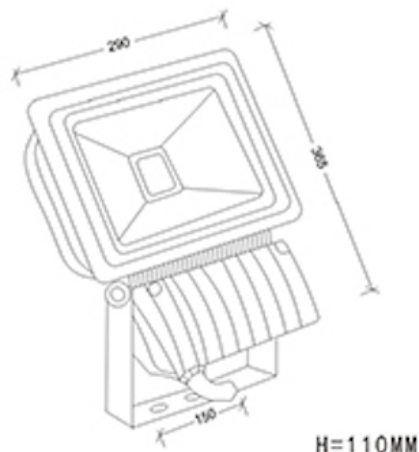
AMCO Model	Power
C80AL(LED)-160W	160W

Specification	
Input Voltage	AC90 - 260V 50/60Hz
Light Efficiency	95- 100Lm/W
Color Temperature	3000K/4500K/6000K
Operating Temperature	-40°C - +60°C
Power Factor	>0.95
Color Rendering Index (Ra)	>72
Viewing Angle	120°
IP Grade	IP65



AMCO Model	Power
C80AL(LED)-10W	10W
C80AL(LED)-20W	20W
C80AL(LED)-30W	30W
C80AL(LED)-50W	50W

Specification	
Input Voltage	AC90 - 260V 50/60Hz
Light Efficiency	95- 100Lm/W
Color Temperature	3000K/4500K/6000K
Operating Temperature	-40°C - +60°C
Power Factor	>0.95
Color Rendering Index (Ra)	>72
Viewing Angle	120°
IP Grade	IP65



H=110MM