



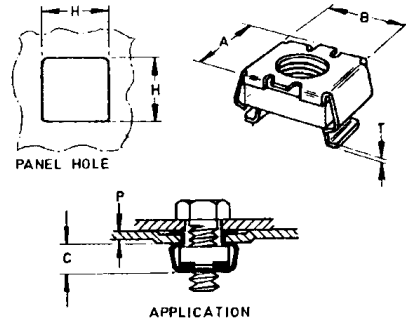
# RAGEEM FASTENER CO.

*Celebrating* **50** 1969-2019 *years*

## CAGE NUTS



- Low Carbon Steel Nut
- Spring Steel Cage



Part Number	Thread	Panel Range (P)	A mm	B mm	C mm	H mm	T mm
SM-Y-04-1-71-446	M4	0.70 - 1.60	13	13.2	6.70	9.50	0.50
SM-Y-04-1-71-448	M4	1.80 - 2.65	13	13.2	6.70	9.50	0.50
SM-Y-05-1-71-446	M5	0.70 - 1.60	13	13.2	6.70	9.50	0.50
SM-Y-05-1-71-448	M5	1.80 - 2.65	13	13.2	6.70	9.50	0.50
SM-Y-05-1-71-449	M5	2.65 - 3.25	13	13.2	6.70	9.50	0.50
SM-Y-06-1-71-446	M6	0.70 - 1.60	13	13.2	6.70	9.50	0.50
SM-Y-06-1-71-448	M6	1.80 - 2.65	13	13.2	6.70	9.50	0.50
SM-Y-06-1-71-449	M6	2.65 - 3.25	13	13.2	6.70	9.50	0.50
SM-Y-08-2-71-446	M8	0.70 - 1.60	16.2	16.4	7.50	12.8	0.60
SM-Y-08-2-71-448	M8	1.60 - 2.65	16.2	16.4	7.50	12.8	0.60
SM-Y-08-2-71-449	M8	2.65 - 3.25	16.2	16.4	7.50	12.8	0.60
SM-Y-10-2-71-446	M10	0.70 - 1.60	16.2	16.4	7.50	12.8	0.60
SM-Y-10-2-71-448	M10	1.60 - 2.65	16.2	16.4	7.50	12.8	0.60
SM-Y-10-2-71-449	M10	2.65 - 3.25	16.2	16.4	7.50	12.8	0.60
SM-Y-12-271-1.0-1.7	M12	1.00 - 1.70	20.50	20.50	10.50	14.0	0.60
SM-Y-12-271-1.8-3.2	M12	1.80 - 3.20	20.50	20.50	10.50	14.0	0.60
SM-Y-12-271-3.3-4.7	M12	3.30 - 4.70	20.50	20.50	10.50	14.0	0.60
SM-Y-12-271-4.8-6.2	M12	4.80 - 6.20	20.50	20.50	10.50	14.0	0.60
SM-V-06-1-71-446	3/16"	0.70 - 1.60	13	13.2	6.70	9.50	0.50
SM-V-06-1-71-448	3/16"	1.80 - 2.65	13	13.2	6.70	9.50	0.50
SM-V-08-1-71-446	1/4"	0.70 - 1.60	13	13.2	6.70	9.50	0.50
SM-V-08-1-71-448	1/4"	1.80 - 2.65	13	13.2	6.70	9.50	0.50
SM-V-10-2-71-446	5/16"	0.70 - 1.60	16.2	16.4	7.50	12.8	0.60
SM-V-10-2-71-448	5/16"	1.60 - 2.65	16.2	16.4	7.50	12.8	0.60

Unit 7/2-6 Lindsay Street  
 Rockdale NSW 2216  
[www.rageem.com.au](http://www.rageem.com.au)

Phone: 61 2 9599 3132  
 Fax: 61 2 9597 2673  
 Email: [sales@rageem.com.au](mailto:sales@rageem.com.au)