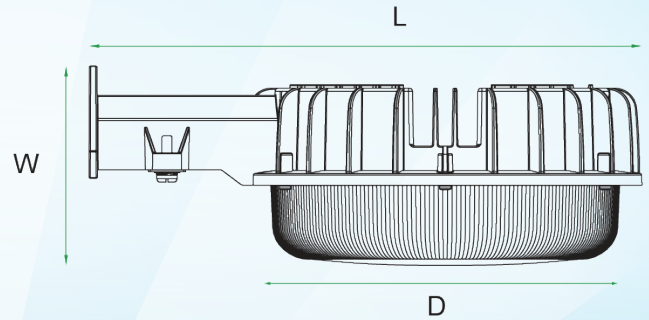


58000 Series

LED Dusk to Dawn



see specs



see specs



75,000 Hour projected LED life



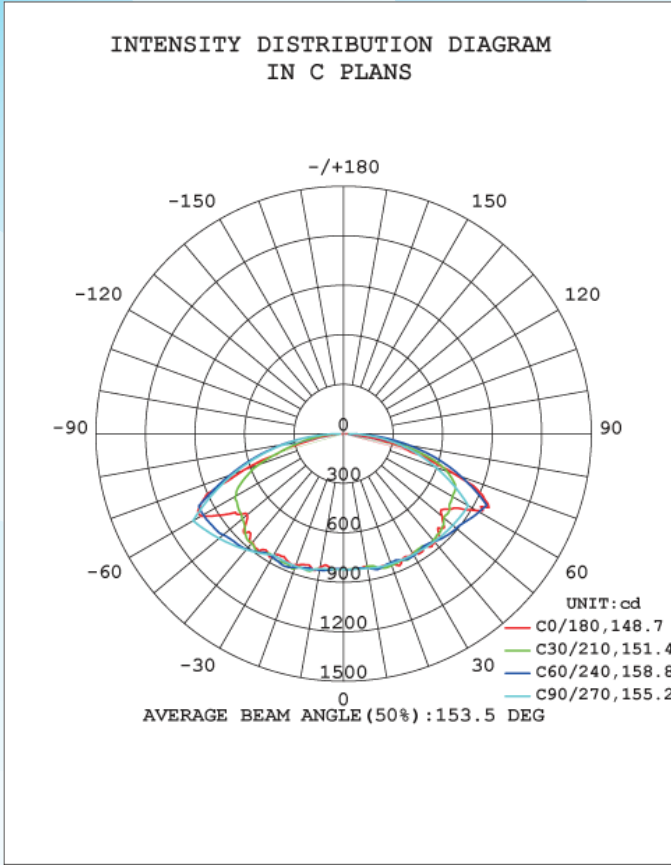
5 year warranty

Technical Information

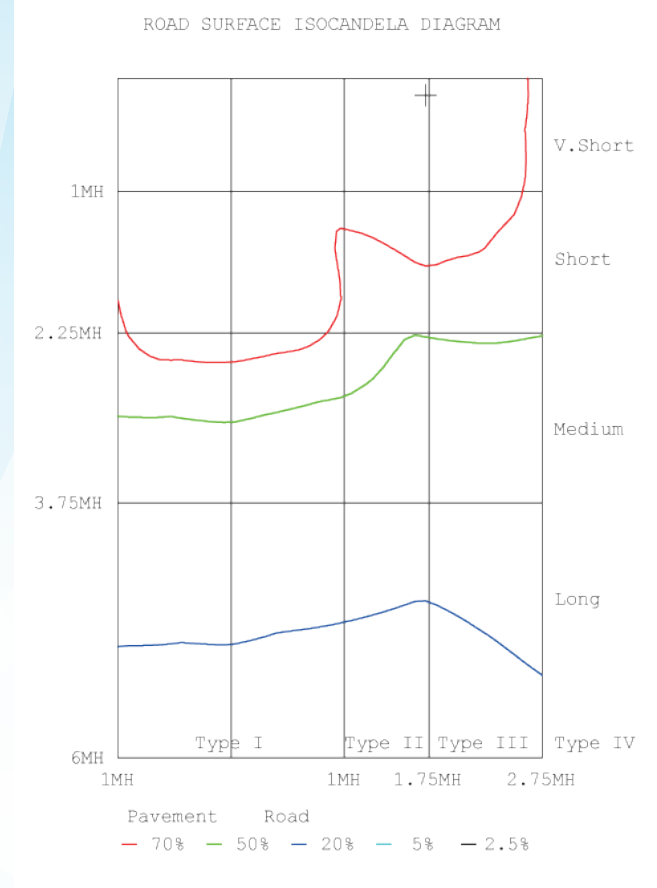
- * Cast Aluminum Housing
- * Polycarbonate Lens
- * Pole Mount or Surface Mount
- * 75,000 rated life
- * Easy installation



Beam Profile



Illumination



Ordering Information

Cat. # (Ordering No.)	Voltage	Wattage	Lumens	Efficacy	Viewing Angle	CRI	Dimensions (L"W"H")	Net Weight
58035	100-240/100-277	35	4100-4300	-	150°	>70	D9.13"x12.83"x6.69"	2.0
58060	100-240/100-277	60	6500-6800	-	150°	>70	D9.13"x12.83"x6.69"	2.1

To order this and any of our other exceptional quality fixtures, please contact your local distributor or call us at **800-362-1972**.