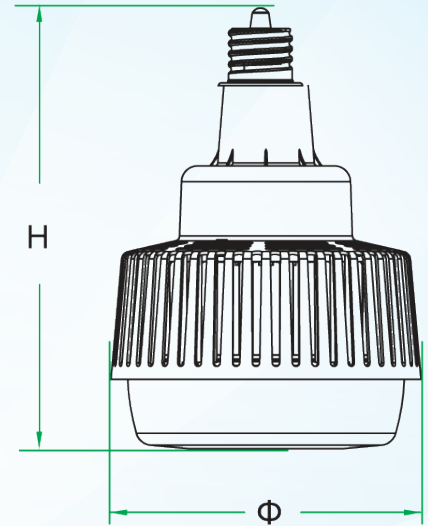


59900

LED High Bay Lamp Replacement

Line Drawing



See specs



See specs



75,000 Hour projected LED life



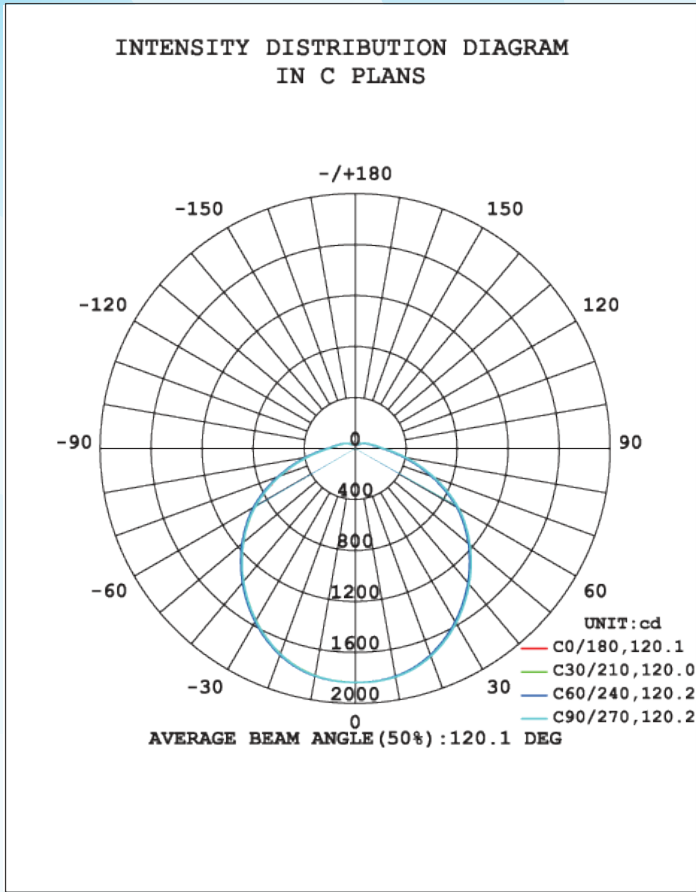
5 year warranty

Usage Information

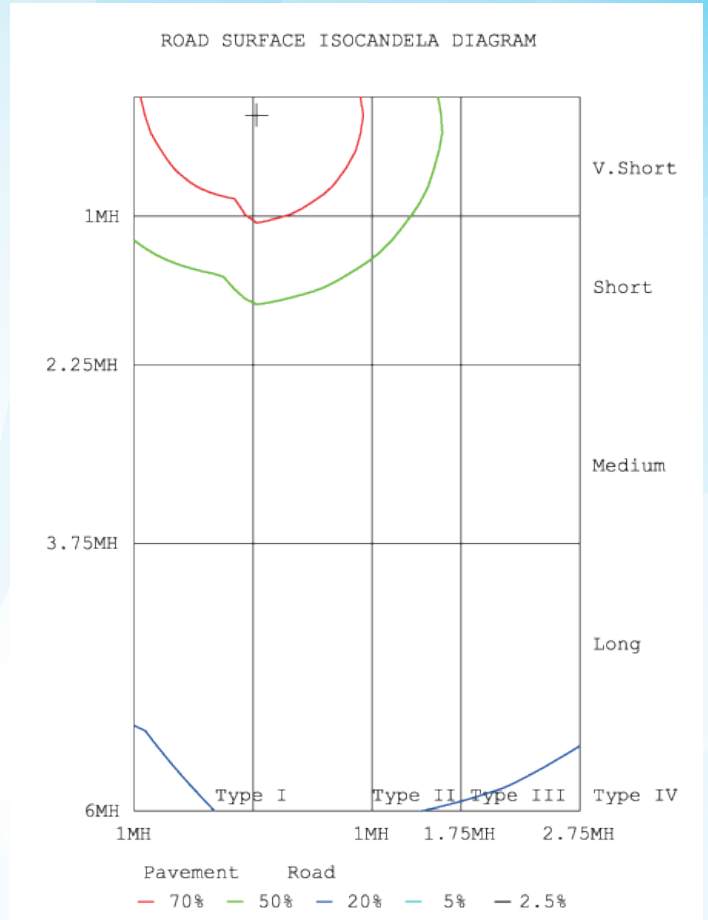
Easy installation!
Bypass existing ballast,
wire live voltage to socket
and screw in place. Done!



Beam Profile



Illumination



Ordering Information

Cat. # (Ordering No.)	Voltage	Wattage	Lumens	Efficacy	Viewing Angle	CRI	Dimensions (L"W"H")	Net Weight
59960	100-240/100-277	60	6900-7800	115-130	120°	>80	8.78"×Ø6.69" E=8.98"×Ø6.69" EX=9.06"×Ø6.69"	0.98
59980	100-240/100-277	80	9200-10400	115-130	120°	>80	10.35"×Ø7.48" E=10.55"×Ø7.48" EX=10.63"×Ø7.48"	1.32
59981	100-240/100-277	100	10500-12000	105-120	120°	>80	10.35"×Ø7.48" E=10.55"×Ø7.48" EX=10.63"×Ø7.48"	1.38

To order this and any of our other exceptional quality fixtures, please contact your local distributor or call us at **800-362-1972**.