

Parameters

- Solar Hang Sensor Light
- Material: ABS, PC
- Solar panel: Polycrystalline solar panel 5.5V,0.4Watt
- Battery: Lithium battery 18650,1500mAh,3.7V
- Light source: Super bright dip LED, 24PCS
- Lumen efficiency: 200LM
- Working time: sensor 8H, constantly 4H, low bright 8H, SOS 8H
- Function: 4 modes (sensor, constant, low, SOS lighting)



Solar



AUTO



LED



IP44

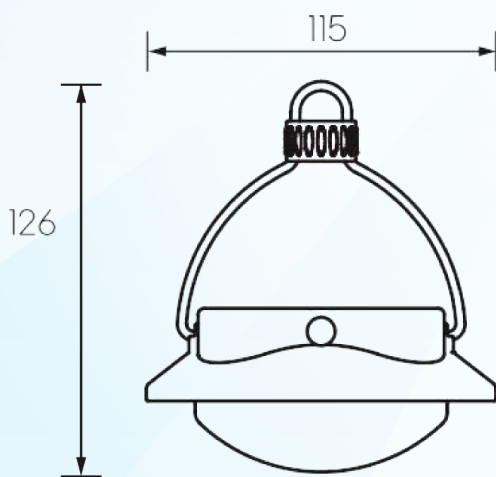


Switch

Features

- Integrated design of PIR motion sensor
- Built-in solar panel
- Three optional modes
- Installs easily with no wiring necessary
- Rechargeable batteries (included)
- Motion sensor turns light ON automatically at night when motion is detected
- Durable weather resistant heavy duty plastic construction
- Anti UV radiation
- Waterproof IP65, heatproof and durable

Dimensions



To order this and any of our other exceptional quality fixtures, please contact your local distributor or call us at **800-362-1972**.