

HAZARDOUS LOCATIONS LIGHT SPECIFICATION

I Series

Applications

This luminaire can be used as flood light, wall pack and area light which can provide general illumination in hazardous locations, such as:

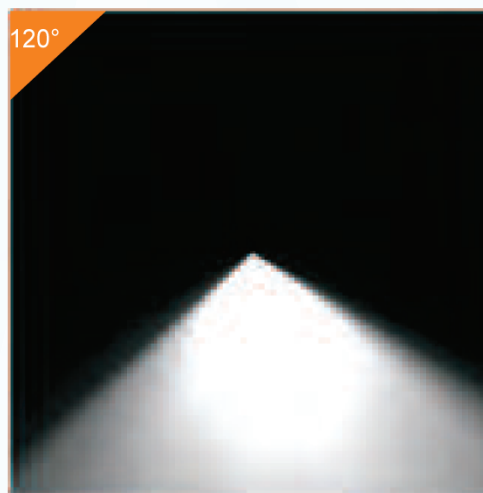
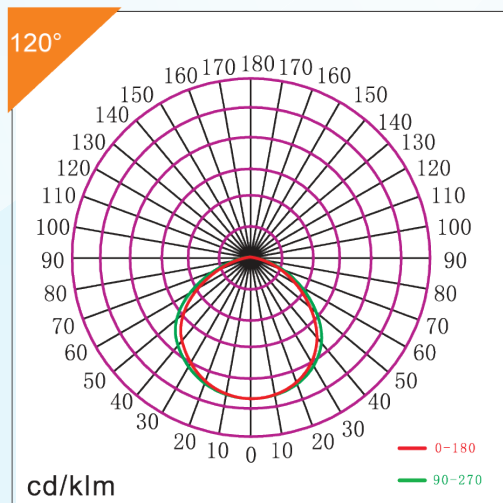
- 1.Oil refinery and Gas station
- 2.Oil and gasoline loading dock
- 3.Distillerie
- 4.Painting manufacturing plant
- 5.Pumping station
- 6.Mine
- 7.Vessel
- 8.Other high humidity, high temperature, dusty location



Features

- High efficacy: up to 140lm/W
- CRI>70
- Surface mounting and pendant installation
- Wide and narrow optics for uniform illumination
- Copper free aluminum
- High vibration resistance

Professional Light Distribution



Typical model specification

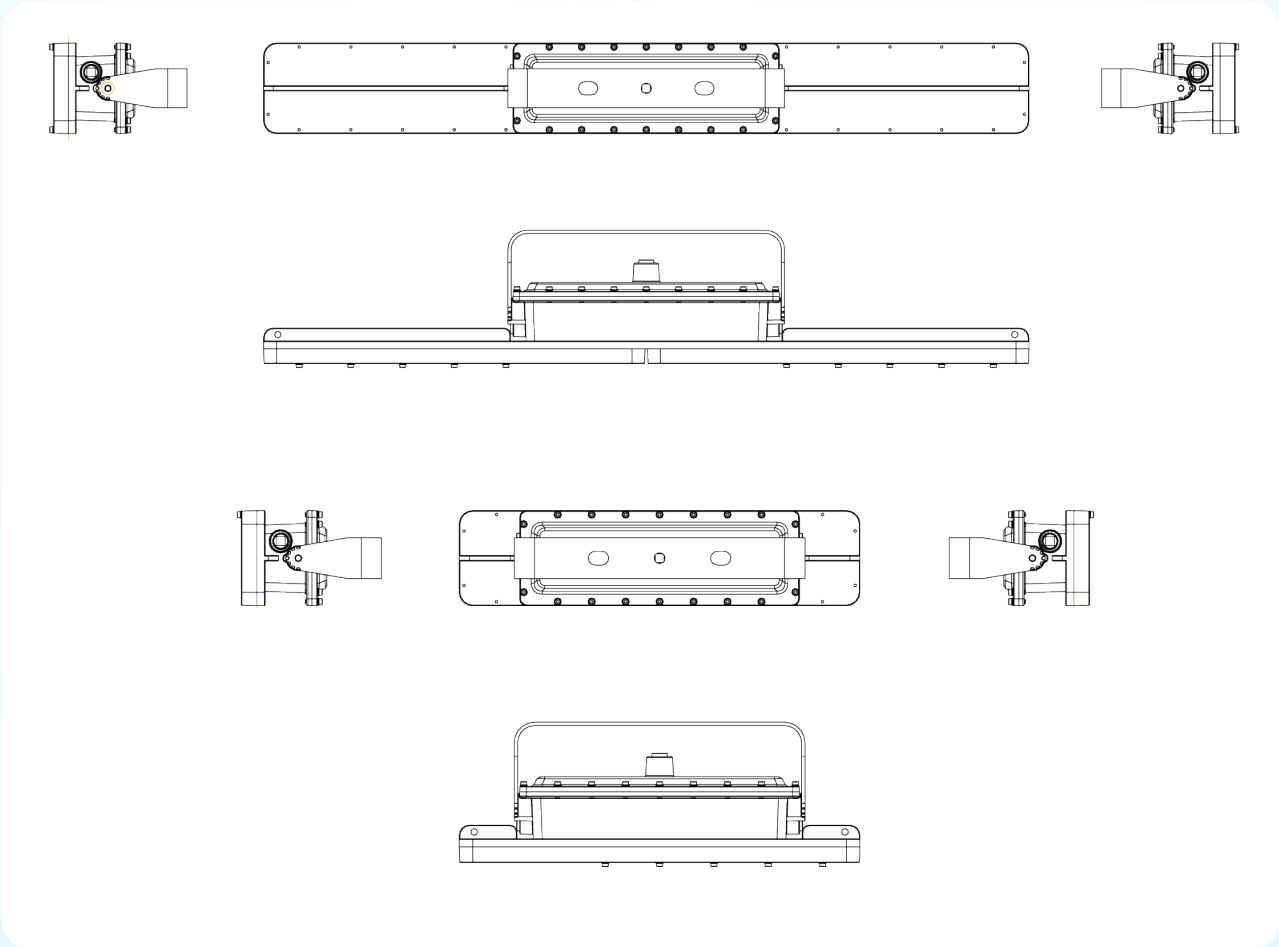
Product Number	Wattage	Color	Voltage	Lumens	Working Hours	CRI
I88030	30	4000K-5700K	AC100-277V or AC200-480V	4200	5 years	70
I88040	40	4000K-5700K	AC100-277V or AC200-480V	5600	5 years	70
I88060	60	4000K-5700K	AC100-277V or AC200-480V	8400	5 years	70
I88080	80	4000K-5700K	AC100-277V or AC200-480V	11200	5 years	70

“I”=Product series “Y”=D or N:Dimmable or non-dimmable “Z”= CCT, from 4000~5700K “D”=Beam angle: 120°

Mechanical information

	Size (in)	Size (in)
AC100-277V models	24x5.5x8.1	47x5.5x8.1
AC200-480V models	24x5.5x8.1	47x5.5x8.1

Structure diagram



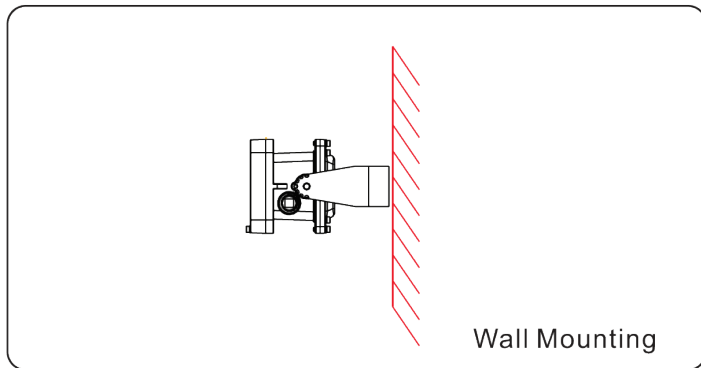
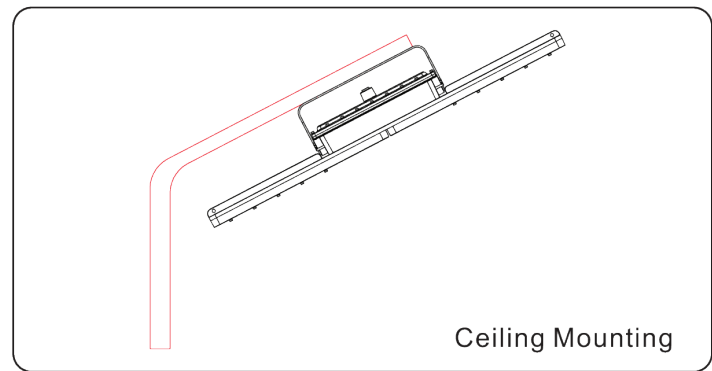
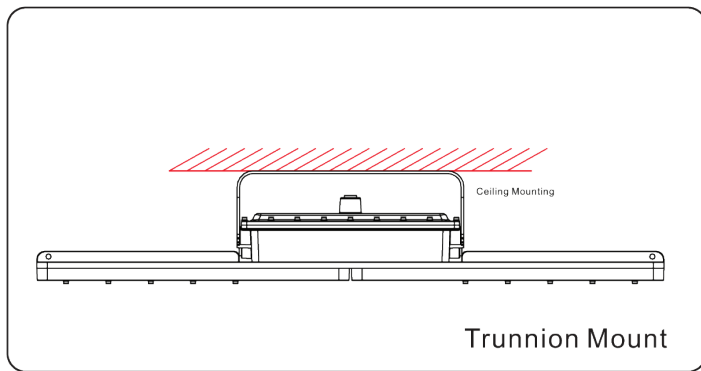
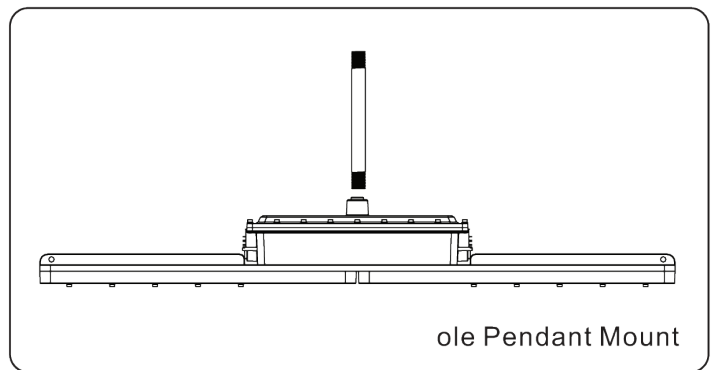
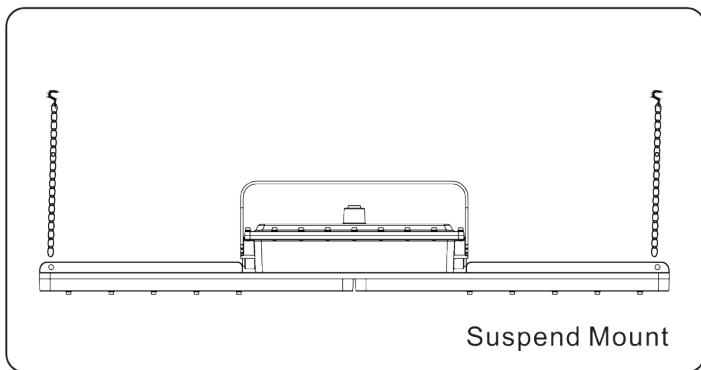
Mounting method

Explosion proof light can be surface and pendant mounted by bringing down a rigid conduit to the light fixture.

Mounting Option Note:

Pendant mounting option requires conduit be supplied by the installer.

Rectangle luminaire mounting



Warranty

Only offer 5 year's warranty or any other warranty period specified in the contract for the product from the date of purchase:

- Invoice or shipment bill is required to claim the warranty.
- The warranty policy only requires manufacturer to repair the defective product or send substitute for replacement.
- Installation labor, electricity cost and other related cost will not be covered by the manufacturer warranty policy.
- Warranty doesn't cover the defect caused by inappropriate use, especially if directions of the instructions for use are not observed, normal abrasion as well as failures which affect the value or use of the product insignificantly.