



## SJIII 4626/32

### ELECTRIC SCISSOR LIFTS

#### STANDARD FEATURES

- Drivable at full height with roll out deck fully extended
- Variable speed, rear two wheel hydraulic drive
- Dual holding brakes
- Proportional controls for drive & lift functions
- 1.22 m roll out extension deck
- 24V DC power source
- Low voltage battery protection
- Relay based control system
- Colour coded and numbered wiring system
- Up to 30% gradeability
- Solid rubber, non-marking tyres
- Pothole protection system
- Wiring for AC outlet on platform
- Tilt alarm with drive & lift cut-out
- Overload sensing system
- Lowering warning system
- Operator horn
- Half height spring hinged gate
- Hinged railing system
- Lanyard attachment points
- Forklift pockets and tie down/lift lugs

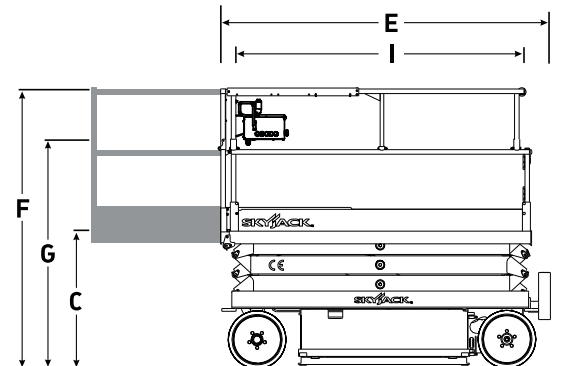
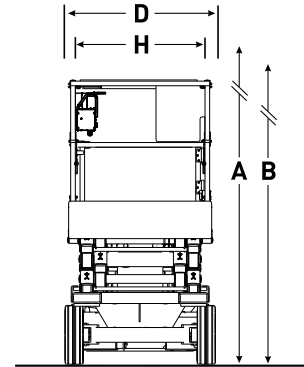
#### ACCESSORIES AND OPTIONS

- Flashing light
- 250 Ah batteries
- All motion audible alarm
- Dual flashing lights
- AGM batteries
- Shroud-style control box guard
- Pipe racks
- Drywall/board carrier

\* Capacities, and machine weights may differ when options are added.

## SJIII 4626/32 ELECTRIC SCISSOR LIFTS

Dimensions	SJIII 4626	SJIII 4632
<b>A</b> Work Height	9.92 m	11.75 m
<b>B</b> Raised Platform Height	7.92 m	9.75 m
<b>C</b> Lowered Platform Height	1.14 m	1.23 m
<b>D</b> Overall Width	1.17 m	1.17 m
<b>E</b> Overall Length	2.31 m	2.31 m
<b>F</b> Stowed Height (Rails Up)	2.15 m	2.24 m
<b>G</b> Stowed Height (Rails Down)	1.79 m	1.88 m
<b>H</b> Platform Width (Inside Dimension)	1.07 m	1.07 m
<b>I</b> Platform Length (Inside Dimension)	2.13 m	2.13 m
Specifications	SJIII 4626	SJIII 4632
Extension Deck (Roll Out)	1.22 m	1.22 m
Ground Clearance (Stowed)	8.89 cm	8.89 cm
Ground Clearance (Raised)	1.91 cm	1.91 cm
Wheelbase	1.75 m	1.75 m
Weight	2,170 kg	2,302 kg
Gradeability	30%	25%
Turning Radius (Inside)	1.21 m	1.21 m
Turning Radius (Outside)	2.37 m	2.37 m
Lift Time (With Rated Load)	54 sec	59 sec
Lower time (With Rated Load)	32 sec	49 sec
Drive Speed (Stowed)	3.2 km/h	3.2 km/h
Drive Speed (Raised)	1.1 km/h	1.1 km/h
Maximum Drive Height	Full Height	Full Height
Capacity (Overall)	454 kg	317 kg
Distributed Capacity (Main Platform)	318 kg	204 kg
Distributed Capacity (Extension Deck)	136 kg	113 kg
Local Floor Load (With Rated Load)	1544 kPa	1538 kPa
Overall Floor Load (With Rated Load)	10 kPa	10 kPa
Maximum # of Persons (indoor/outdoor)	3/2	2/1
Tyre Type	Solid, N/M	Solid, N/M
Tyre Size	16 x 5 x 12	16 x 5 x 12



**Skyjack UK**  
Unit 1, Maes-y-Clawdd  
Maesbury Road Industrial Estate  
Oswestry, Shropshire, SY10 8NN  
Tel: +44 1691 676235  
Fax: +44 1691 676239  
Email: info@skyjackeurope.co.uk

**Skyjack SAS (France)**  
ZI Le Clairin  
69700 Saint Romain en Gier  
France  
Tel: +33 (0) 4 78 73 53 32  
Tel: +33 (0) 4 78 73 05 68  
Fax: +33 (0) 4 78 56 52 42

**Skyjack Hebebühnen GmbH (Germany)**  
Därmannsbusch 2a  
D-58456 Witten  
Tel: +49 (0) 2302 20 26 909  
Fax: +49 (0) 2302 20 25 671

**Skyjack AB (Sweden)**  
Agnesbergsvägen 28  
424 38 Agnesberg  
Sweden  
Tel: +46 (0) 31 21 22 45  
Fax: +46 (0) 31 787 65 10

[www.skyjack.com](http://www.skyjack.com)