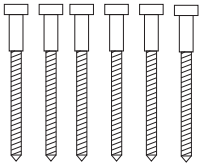
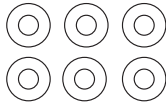


Tools and Components included in your package:

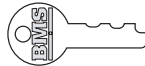
A 3/8" Lag Bolts
(QTY 6)



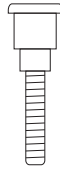
B 3/8" Washers
(QTY 6)



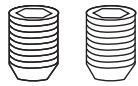
C Key
(QTY 1)



D Screw Lock
(QTY 1)



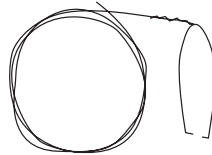
E 1/4 - 20 X 1/4
Stabilizing Screw
(QTY 2)



F 1/4 - 20 X 1/4
Adjustment Screw
(QTY 1)



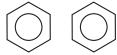
G VGA Guide



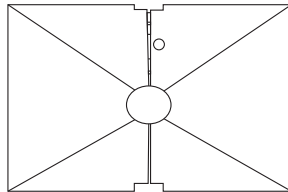
H 1/8 Allen
Wrench
(QTY 1)



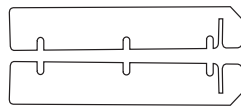
I 4 - 40
Machine Nut
(QTY 2)



P Vanity Plate
(QTY 1)



Q Vanity Bracket
(QTY 2)



Important Warnings and Cautions

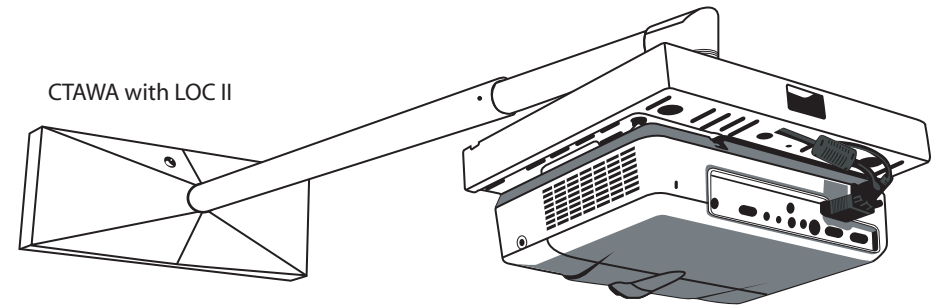
- Warning** - Failure to read, understand and follow instructions can result in serious injury, damage to equipment or voiding equipment warranty.
- Warning** - Improper installation can result in serious personal injury or death. Ensure that the mounting surface can support a weight factor of four times the combined total weight of the equipment and the mount. If not, reinforcement of the mounting surface will be necessary before installing the mount.
- Warning** - It is the installer's responsibility to make sure that the mounting surface and the subsurface is free and clear of all electrical wires, plumbing and gas pipes. Failure to provide adequate clearance of all electrical wires and pipes can result in serious personal injury or death.
- Warning** - Mount and equipment exceeding a combined weight of 50 lbs can result in damage to the support structure, the mount, the equipment and may cause personal injury.
- Warning** - Business Machine Security, Inc. does not warrant its mounts against damage caused by the end use of its mounts for any purpose other than for the purpose for which it has been designed.
- Warning** - Business Machine Security, Inc. is not responsible for damage, or injury that may result in the use of any unauthorized modifications or attachment.
- Warning** - Proper safety gear (Goggles, Glasses & Gloves) and practices should be adhered to at all times throughout the installation process.
- Warning** - Do not install the mount near any heat source or air conditioning vent which may be prone to vibration.
- Warning** - Maximum load capacity 50 lbs.
- Warning** - Do not expose to extreme temperatures.

BMS
Business Machine Security
AnchorPad

Close Throw Adjustable Wall Arm

Model# CTAWA with Loc II

Installation Guide

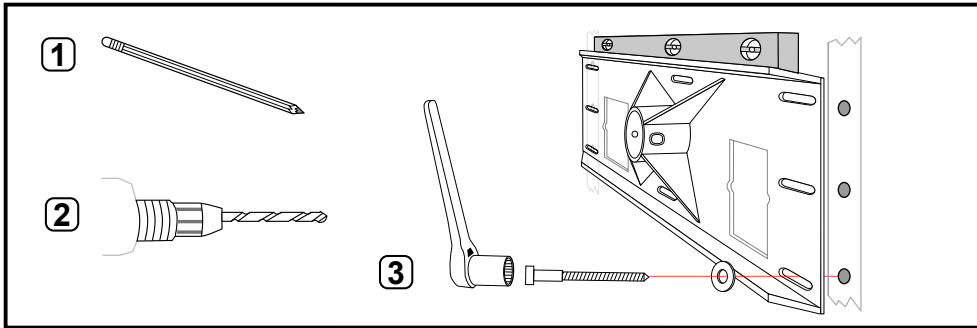


Made in USA

www.LocDown.com
www.Anchorpad.com

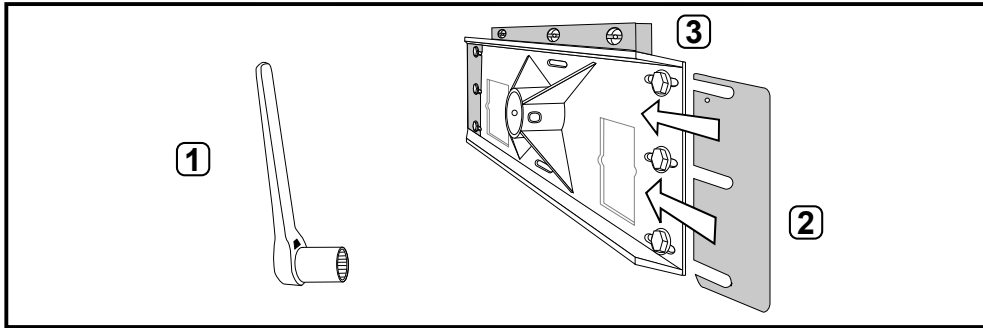
800.872.9562

1 Wall Plate Installation



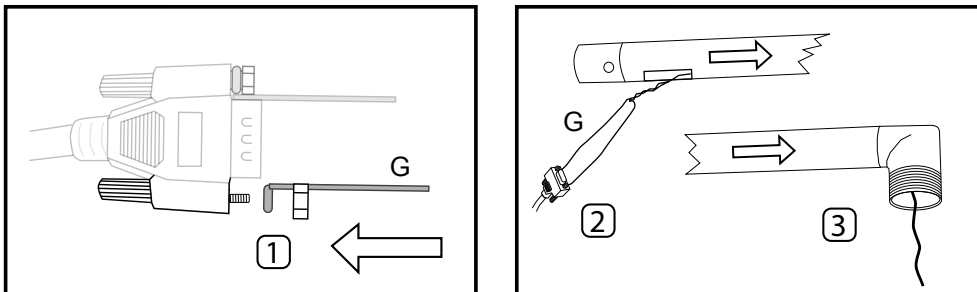
1. Level wall plate and mark location of holes.
2. Drill 5/16" pilot holes in center of wall stud in each marked location.
3. Insert lag bolts and washers into pilot holes and loosely tighten, leaving a 1/8" gap.

2 Vanity Bracket Installation

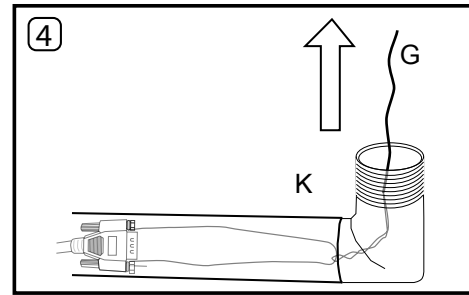


1. Screw in lag bolts (A) on Wall Plate (P) leaving a 1/8" gap.
2. Slide in Vanity Brackets (Q) on each side of wall plate.
3. Level mount and then securely tighten Lag Bolts (A)

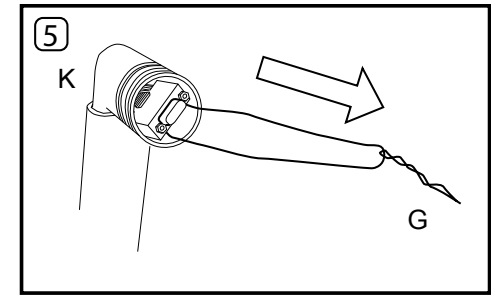
3 Running Cables Through Arm



1. Attach VGA Guide (G) to VGA Cable using provided Machine Nuts (I).
2. Insert VGA guide (G) and cord at base of arm, then pull cable through the pipe.
3. Run S Video Cord then Projector Power Cord through pipe in same direction as VGA.



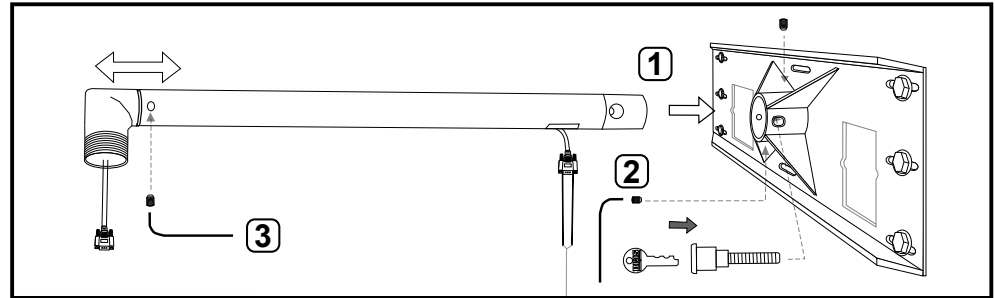
4. Grab hold of the exposed hang (G) and pull VGA cable through arm (K).



5. Once VGA cable reaches bend, use VGA guide (G) to negotiate through 90 degree turn and out the opening of threaded end of arm (K).

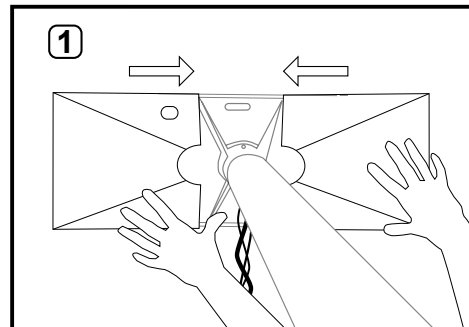
NOTE: You may need to push VGA Guide back and forth to assist you in getting the cord through.

4 Attaching Arm to Wall Plate

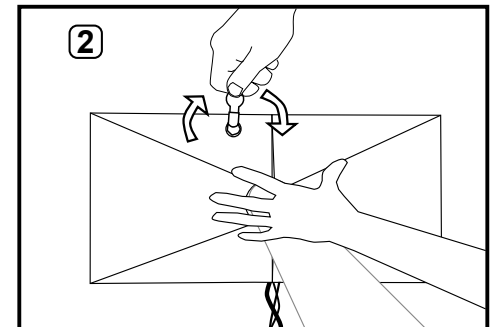


1. Insert the arm into wall plate and screw lock into top.
2. Screw two stabilizing screws intermitently into bottom of wall plate then top.
3. Adjust pipe to desired length then insert and tighten final screw into end of pipe arm.

5 Vanity Plate Installation



1. Slide two sides of the vanity plate together with keyhole on the top left and cords through top or bottom open slot.



2. Push two sides closed and screw lock back into housing. **NOTE:** Plate will have some free movement when locked.