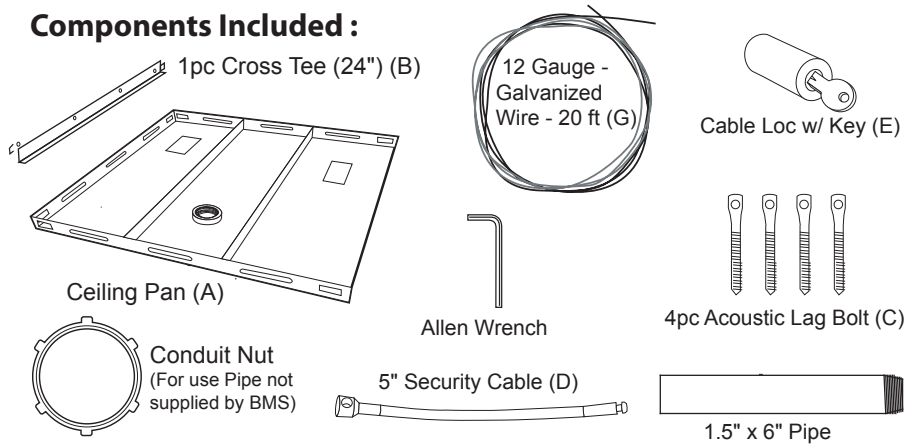
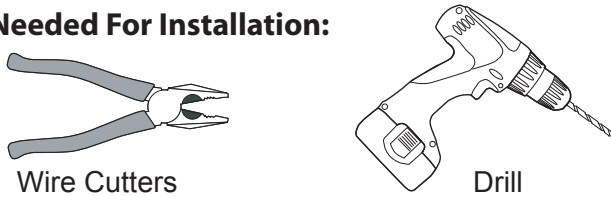


# Parts Included

## Components Included :



## Tools Needed For Installation:



## Important Warnings and Cautions

- Warning** - Failure to read, understand and follow instructions can result in serious injury, damage to equipment or voiding equipment warranty.
- Warning** - Improper installation can result in serious personal injury or death. Ensure that the mounting surface can support a weight factor of four times the combined total weight of the equipment and the mount. If not, reinforcement of the mounting surface will be necessary before installing the mount.
- Warning** - It is the installer's responsibility to make sure that the mounting surface and the subsurface is free and clear of all electrical wires, plumbing and gas pipes. Failure to provide adequate clearance of all electrical wires and pipes can result in serious personal injury or death.
- Warning** - Mount and equipment exceeding a combined weight of 50 lbs can result in damage to the support structure, the mount, the equipment and may cause personal injury.
- Warning** - Business Machine Security, Inc. does not warrant its mounts against damage caused by the end use of its mounts for any purpose other than for the purpose for which it has been designed.
- Warning** - Business Machine Security, Inc. is not responsible for damage, or injury that may result in the use of any unauthorized modifications or attachment.
- Warning** - Proper safety gear (Goggles, Glasses & Gloves) and practices should be adhered to at all times throughout the installation process.
- Warning** - Do not install the mount near any heat source or air conditioning vent which may be prone to vibration.
- Warning** - Maximum load capacity 50 lbs.
- Warning** - Do not expose to extreme temperatures.

Customer Service - (800) 872-9562

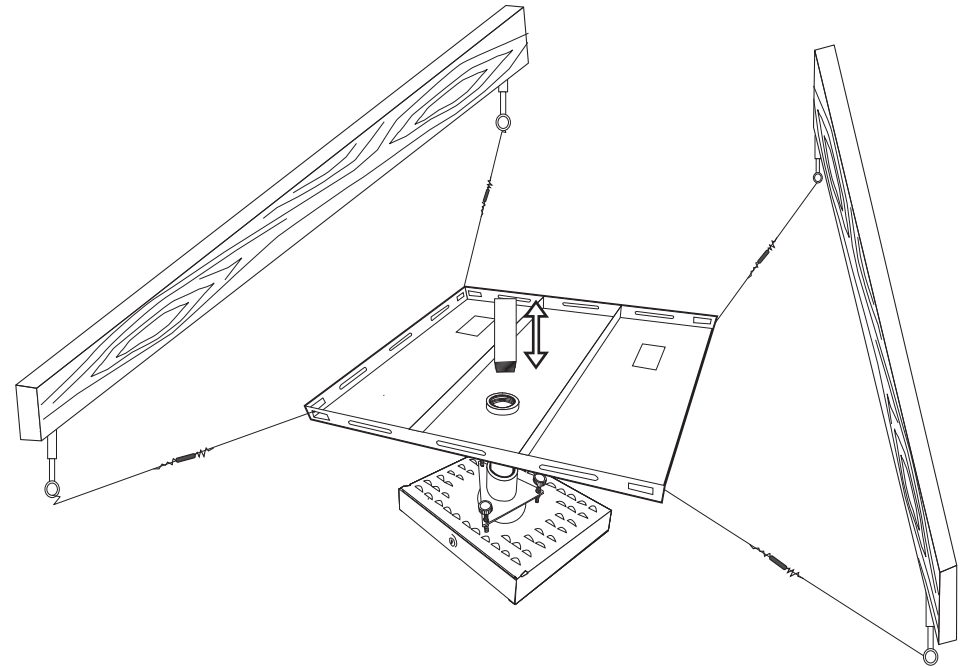
Technical Support - [customerservice@locdown.com](mailto:customerservice@locdown.com)

Website - [www.LocDown.com](http://www.LocDown.com)

**BMS**  
Business Machine Security  
**AnchorPad**

DCP 150 Drop Ceiling Panel

# Installation Guide



Made in USA

[www.LocDown.com](http://www.LocDown.com)  
[www.Anchorpad.com](http://www.Anchorpad.com)

800.872.9562

## 1 Attaching to Ceiling

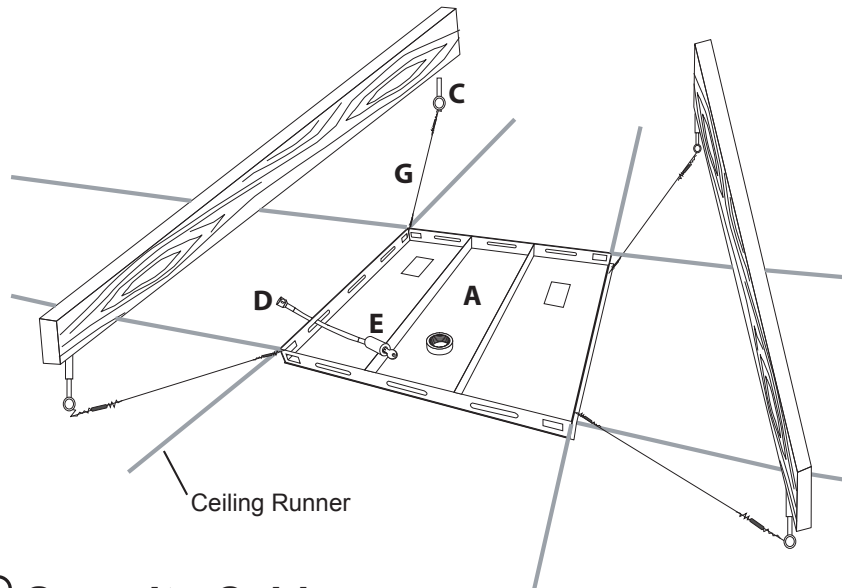
The Drop Ceiling Panel is designed to fit within a 24" X 24" section of a suspended ceiling. In cases where 24" X 48" ceiling tiles are installed, use a 1/2 ceiling tile and a 24" Cross Tee (B) to make a 24" X 24" section.

### WOOD JOIST OR BEAMS

Drill four 11/64" (4.5mm) diameter holes at least 2" deep into wood joist or beams, and fully screw in the Acoustical Lag Bolt (C). Pull Galvanized Wires (G) through hole in lag bolt and twist each wire around itself tight at least four times in 1-1/2".

### CONCRETE

Drill four 1/4" diameter holes at least 1-3/8" deep into concrete, clean hole with blow out bulb. Tap HILTI HLC-T 1/4 x 1-3/8" TIE WIRE SLEEVE ANCHOR into hole. Set the sleeve anchor. Pull Galvanized Wire (G) through hole in anchor and twist each wire around itself tight at least four times in 1-1/2".



## 2 Security Cable

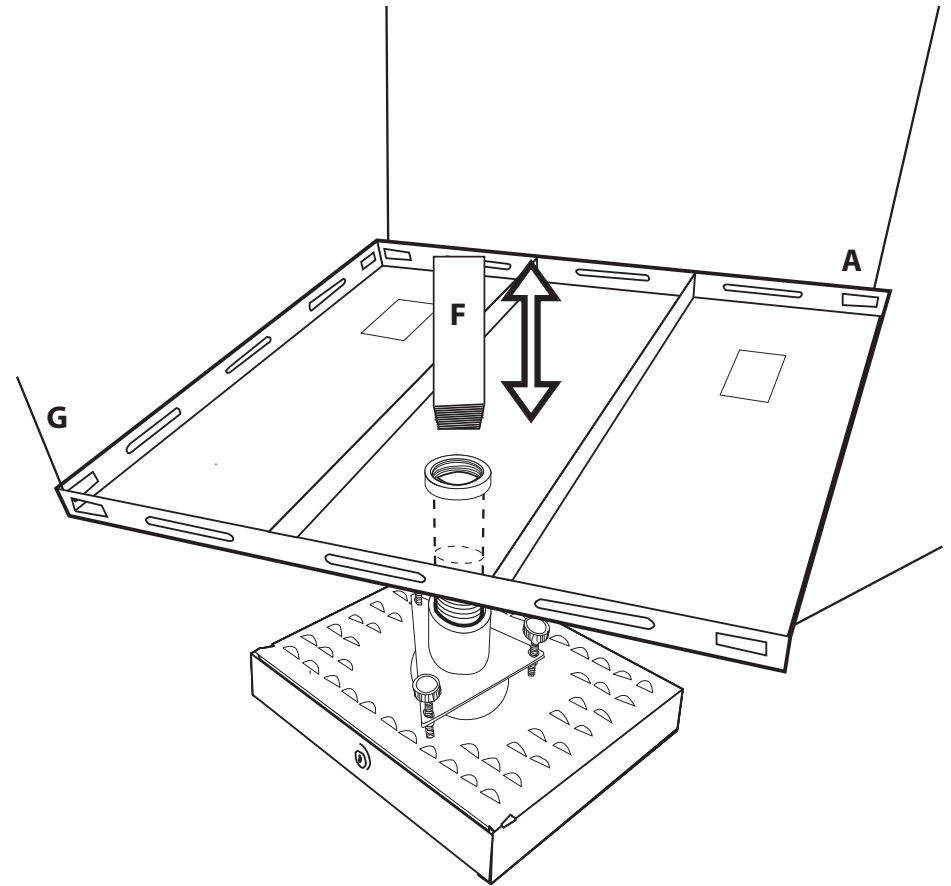
Place the Ceiling Pan (A) into 24" X 24" opening in ceiling. Lock the Ceiling Pan (A) to ceiling runner with Cable Loc (E) and Cable (D). It may be necessary to drill a hole in ceiling runner.

## 3 Hanger Wires

Insert Galvanized Wires (G) through the slots of the Ceiling Pan (A) and the main runners. Twist each wire around itself tight at least four times in 1-1/2". When this step is complete, the weight of the Ceiling Pan (A) should be supported fully by the Galvanized Wires (G).

## 4 Attaching Mount

Slide 1.5" x 6" Pipe (F) down sleeve and adjust to preferred height. Use 1/4-20x1/4 Socket Set Screw to tighten down pipe at desired position. 1.5"x6" pipe is to be used to attach the LCD LOC II to the Ceiling Panel.



## 4 Verify Installation

Drop Ceiling Panel installation is now complete. After all components and equipment have been attached, verify that the load is carried by the Galvanized Wires (G), not the suspended ceiling runners.

**Warning:** It is the responsibility of the installer to verify that the ceiling, to which the Drop Ceiling Panel is anchored, will safely support the combined load of all attached components and equipment. Do not exceed 250 pounds load capacity.