

AnchorPad

A LocDown.Com Security Company
520 West Central Avenue | Brea, CA 92821
Tel: 800.872.9562 | Fax: 714.990.5405 | www.locdown.com | www.anchorpad.com

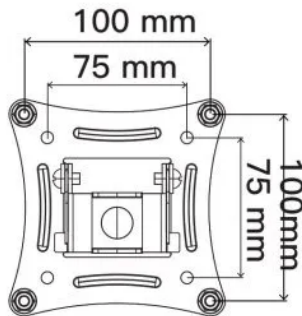
iPad Loc Installation Instructions

Step 1



Make sure your iPad is encased in the protective housing provided by the facility.

Step 2



Select the Vesa hole pattern that matches your arm-mount hole pattern and attach the iPad Loc to the arm-mount with the provided hardware.

Step 3



Slide the iPad with protective housing into the iPad Loc. Make sure the iPad is completely inserted.

Step 4



Press the lock collar into the open slot on the iPad Loc. Make sure the lock collar is flush to the surface of the open slot.

Step 5



Final step: Insert the screw lock into the lock collar and turn clockwise until snug.

“Caution: Do not overtighten”
This completes the installation.

Hardware Included:



(1) iPad Loc



(4) Screws



(4) Nylon Lock Nuts



(1) Steel Lock Collar



(1) Screw Lock & Key

For Technical Support Call
1-800-872-9562

Hours of operation: 8:00 AM to 5:00 PM PST
Email: info@locdown.com