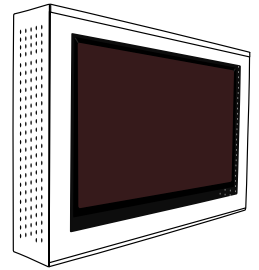
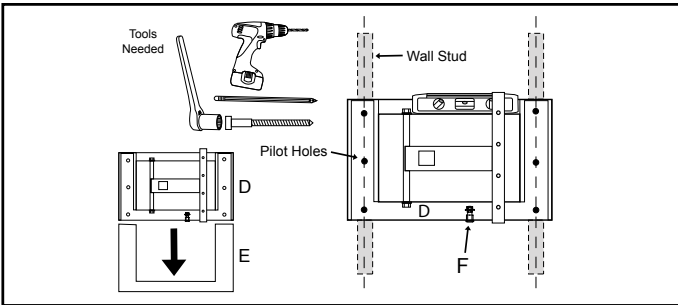


# TV Protector Mount Installation Instructions

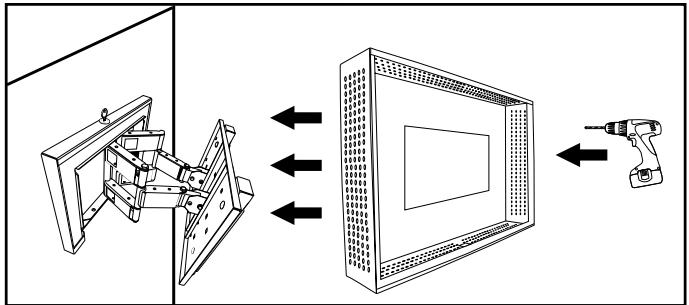


### 1 Attaching Receiver Tray to Wall \*Rail Plate Not Shown



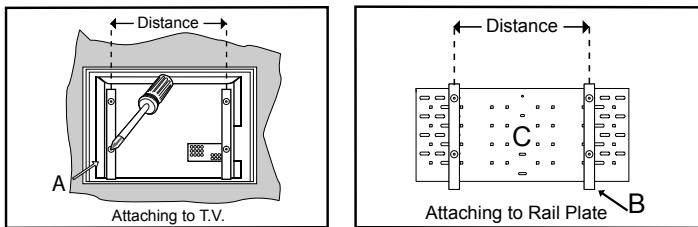
1. Remove the Cover Plate (E) and locate the center of wall studs. (NOTE: If studs are not 16" on centers, backing or internal wall plate may be needed).
2. Place level on top of the Mount (D) and determine location of the holes. Mark hole location with a pencil.
3. Drill 1/4" pilot holes at each marked location on wall. Align the Mount (D) to wall and insert lag bolts and SAE washers into pilot holes.
4. Loosely tighten the lag bolts. Adjust the Mount (D) so it is level, then securely tighten the lag bolts. Reattach Cover Plate (E) and Place Cylinder Lock (F) into housing and turn clockwise to secure. Do not over tighten.

### 2 Attaching Protector to Wall



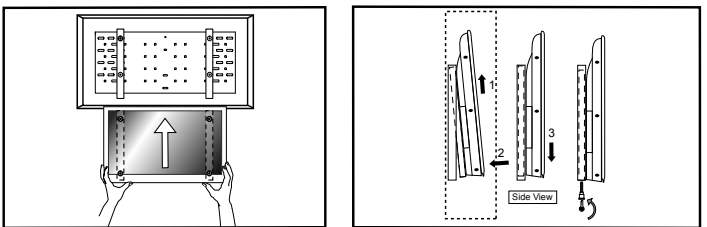
1. Once Mount is attached to wall, guide TV Protector through mount using it as reference for positioning.

### 3 Attaching Rails



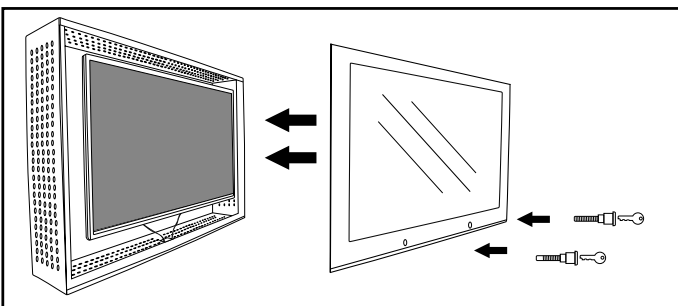
1. Turn TV upside down and place it flat on a soft cloth or packaging material. Be sure that area is a level and sturdy surface.
2. Align Inner Rails (A) (lock at bottom) with VESA hole pattern (if applicable) on back of TV, place Fender Washers over each mounting insert and attach the correct length screw with Phillips head screw driver. (DO NOT OVER TIGHTEN as this can cause serious damage to TV)
3. Measure the distance between the Inner Rails (A) from mounting screw to mounting screw, align Outer Rails (B) to the corresponding location on the Rail Plate (C), insert Carriage Bolts through the aligned holes from back and fasten Nuts with a 7/16" wrench.

### 4 Attaching TV to Mount



1. Attach the Rail Plate to Articulating Arm with Fender Washers and 1/4-20 Hex Nuts. Before tightening nuts be sure to level Rail Plate.
2. Hold TV firmly at each side and align attached Inner Rails with Outer Rails. Slide the top end of the Inner Rails into Outer Rails then push bottom in and slowly slide down into place.
3. Place Cylinder Lock into housing and turn clockwise to secure. Do not over tighten.

### 5 Attaching Screen Protector



1. Once TV is Mount place screen protector over TV protector and slide into place.
2. Screw in Locks secure TV from any unauthorized

## Parts Included

### Tools and Components included in your package:

