

RT 2.0
WORLD'S FIRST
CARBON FIBRE
JAMMING GUN



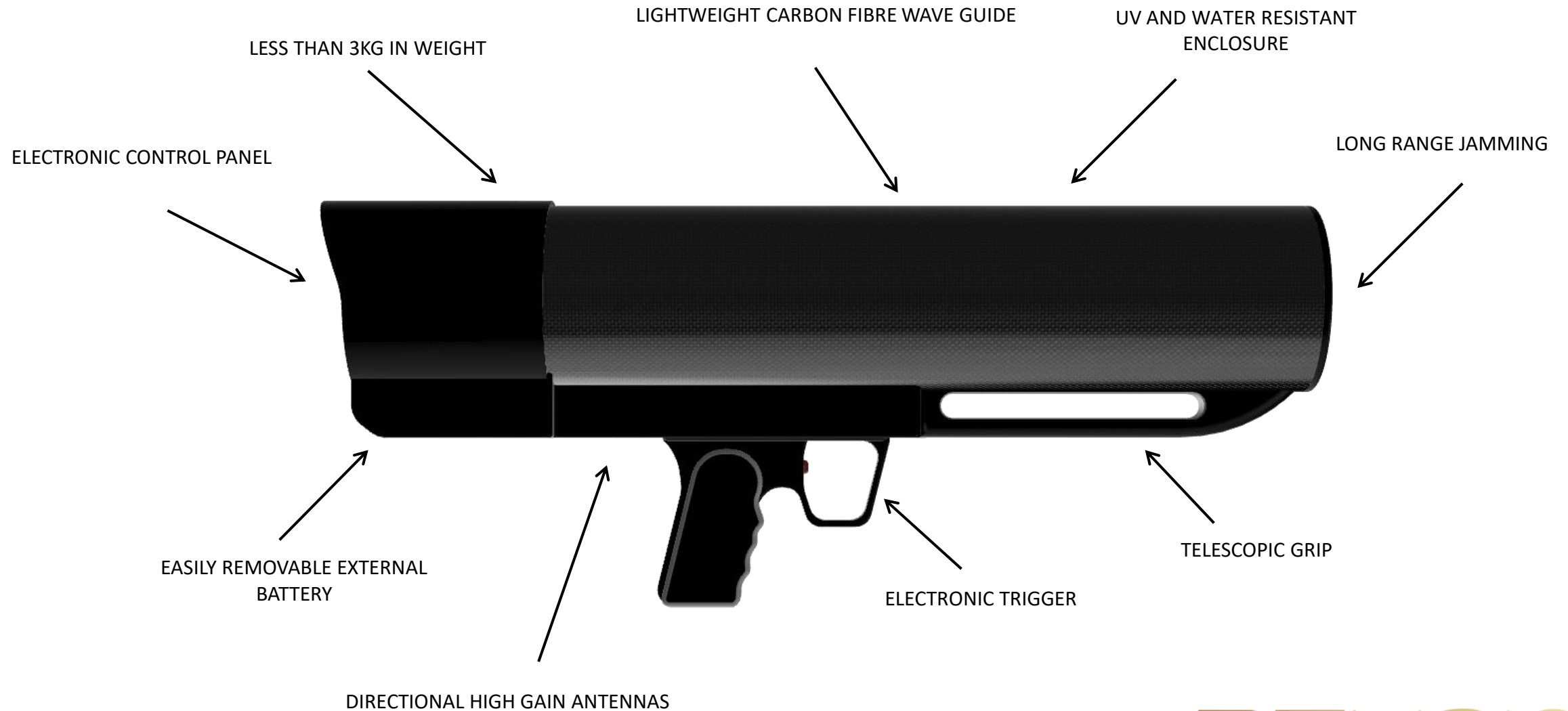
RFUSION
TOMORROWS TECHNOLOGY TODAY

www.rfusion.co.uk

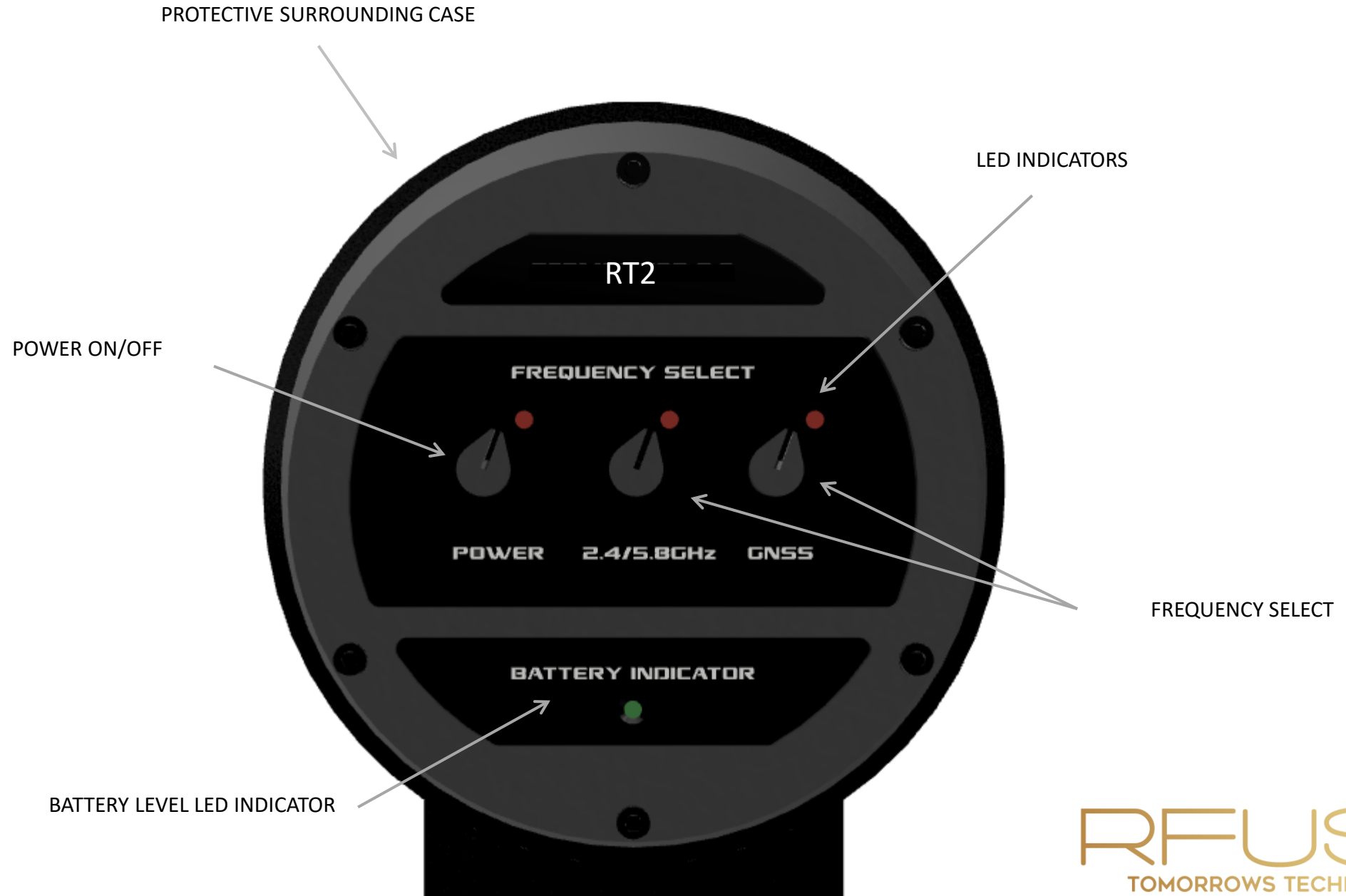
Designed and
manufactured in the UK

DRONE JAMMING GUN RT 2.0

THE RT 2.0 IS A PORTABLE MULTIBAND JAMMING SYSTEM DESIGNED TO DISABLE COMMERCIAL AND DOMESTIC DRONE AND UAVS. ITS UNIQUE DESIGN IS THE FIRST OF ITS KIND UTILIZING A CARBON FIBRE WAVE GUIDE.



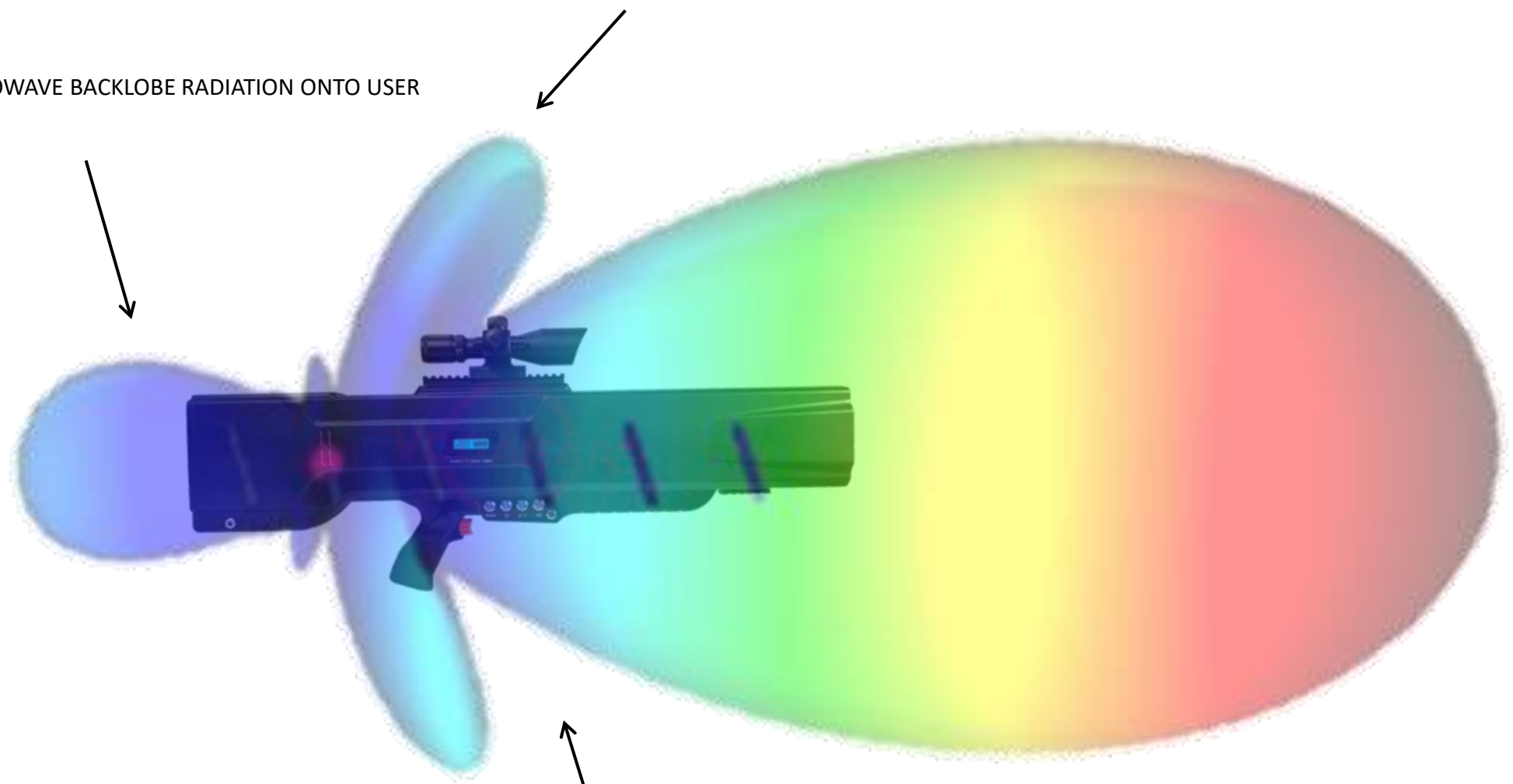
ELECTRONIC CONTROL PANEL



ALL COMPETITOR'S USING YAGI ANTENNAS WITHOUT REFLECTOR RADIATION PATTERN

LOSS OF FORWARD POWER DUE TO SIDELOBES

DANGEROUS MICROWAVE BACKLOBE RADIATION ONTO USER

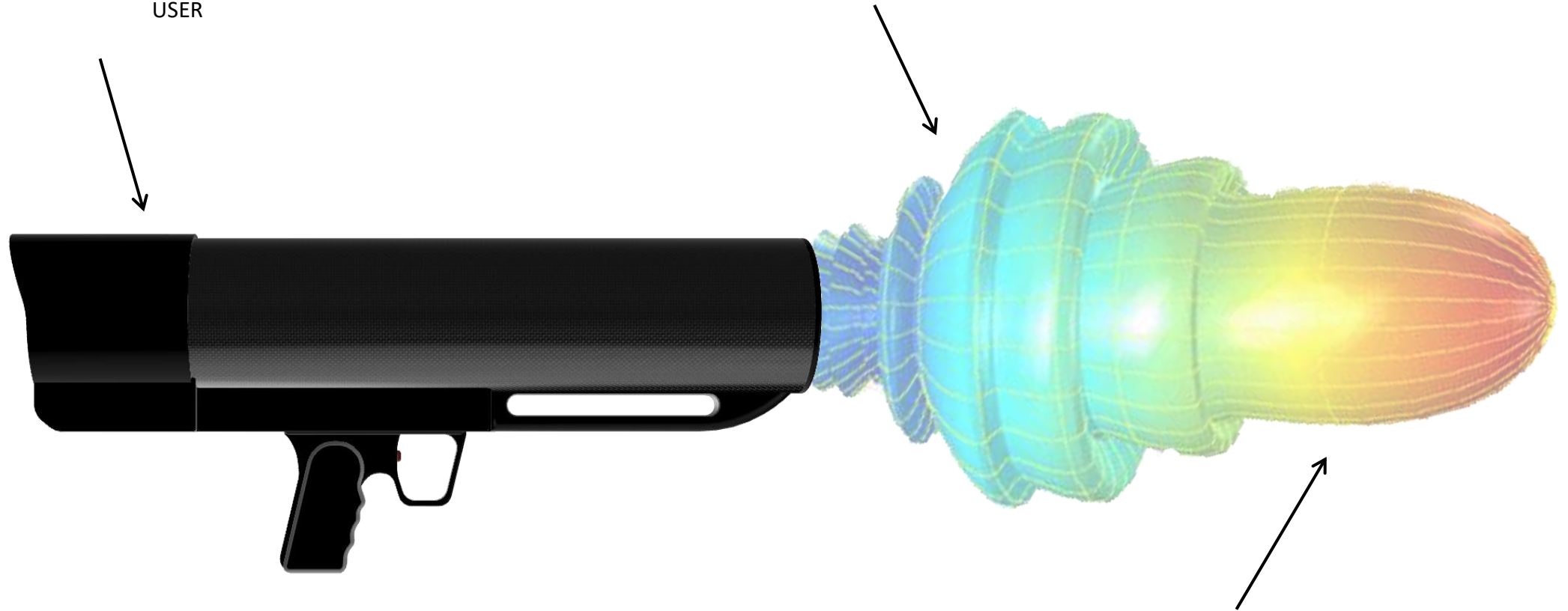


DANGEROUS ALL ROUND RADIATION

RT 2.0 ANTENNA RADIATION PATTERN

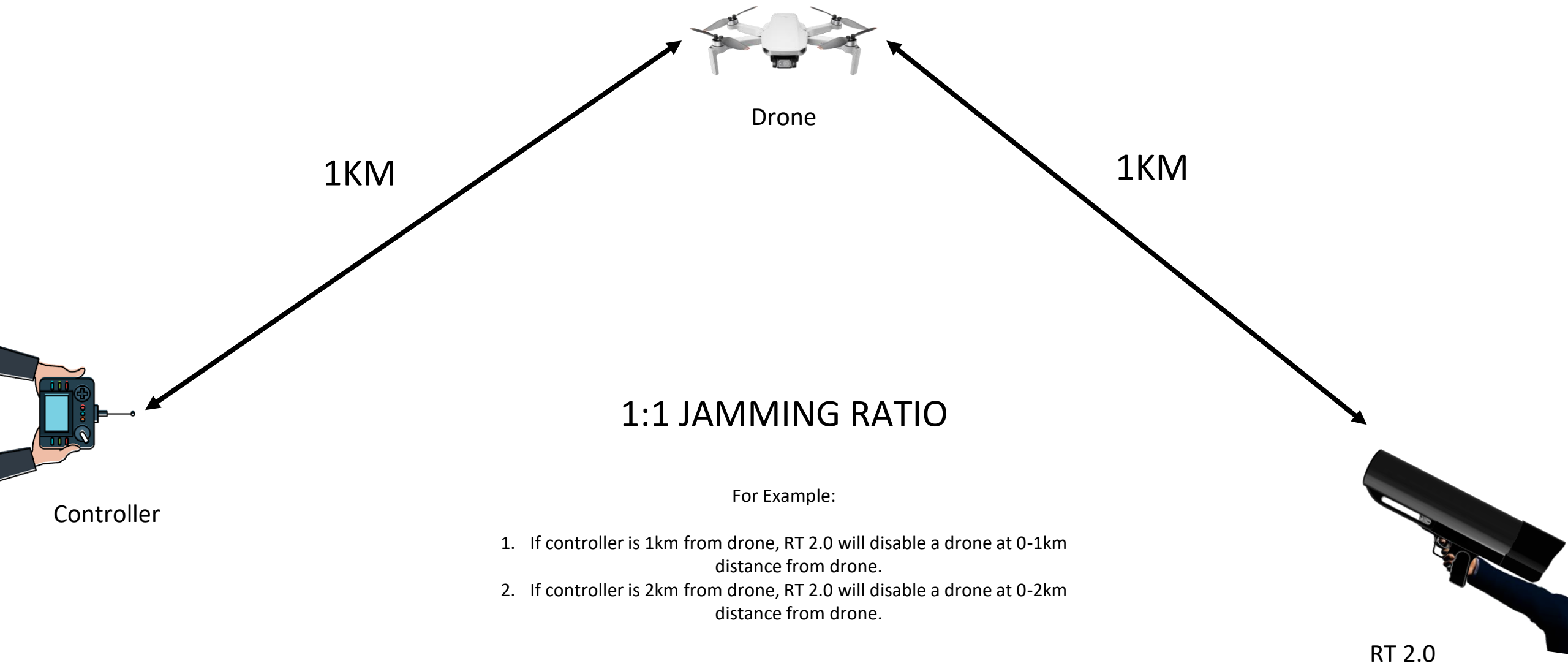
HIGH POWER – NO SIDELobe RADIATION POWER LOSS

NO DANGEROUS MICROWAVE BACKLOBE RADIATION ONTO USER



HIGHLY DIRECTIONAL RADIATION BEAM

RT 2.0 JAMMING RANGE



DRONE JAMMING GUN RT 2.0

DRONE JAMMING GUN TERMINATOR 2.0 SPECIFICATION		
Frequency Band	Frequency	Output Power
1.5GHz	1563-1610MHz	2W
2.4GHz	2450-2500MHz	4W
5.8GHz	5745-5805MHz	4W
Antennas	Directional (Built-in Wave Guide)	
Cooling	Air Cooling	
Material	Carbon Fibre Main Body & Acetal	
Battery	18V 2A	
IP Rating	IP65	
Operating Temperature	-15 - 70°C	
Dimensions	Ø120x600mm	
Weight	<3kg	