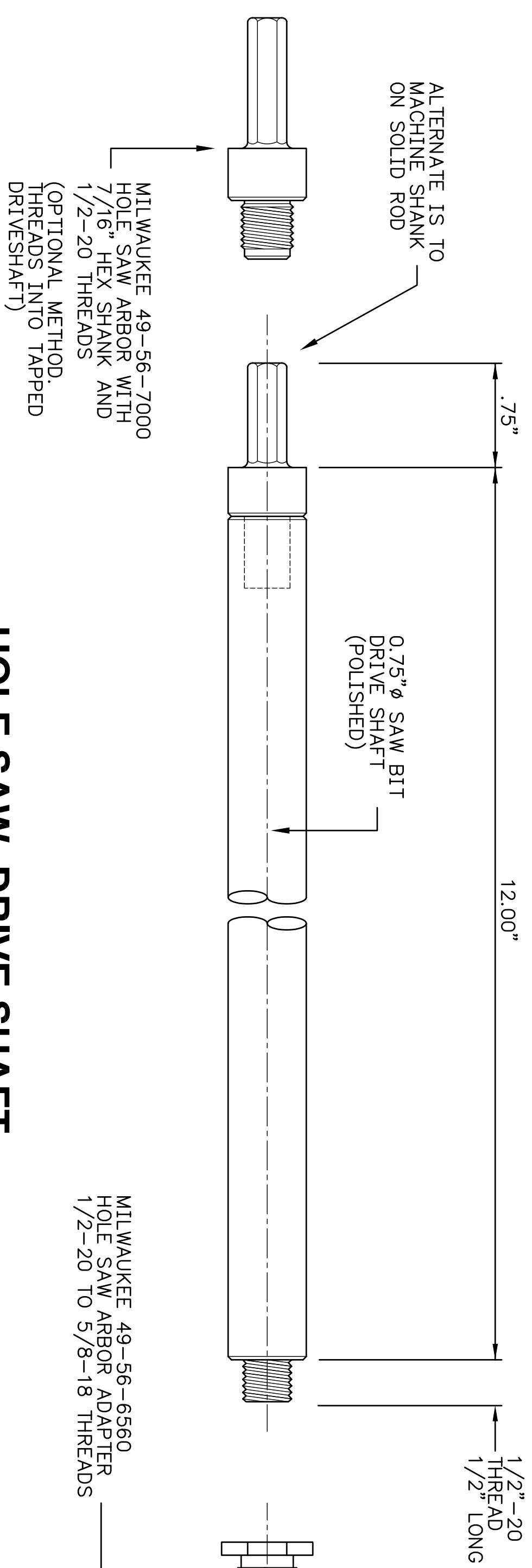
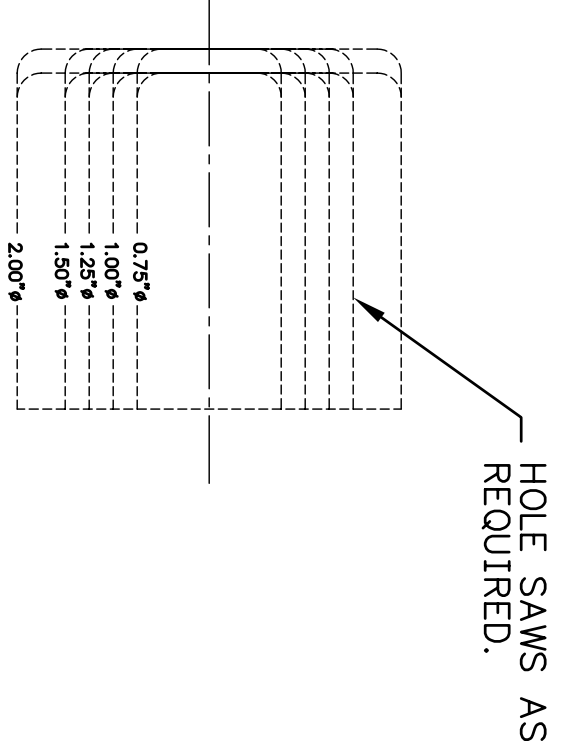


CHOPPER BUILDERS HANDBOOK

© 2001, 02, 03, 04, 05, 06, 07 G.W. WEISHAUP, ALL RIGHTS RESERVED.



HOLE SAW DRIVE SHAFT
1" = 1"

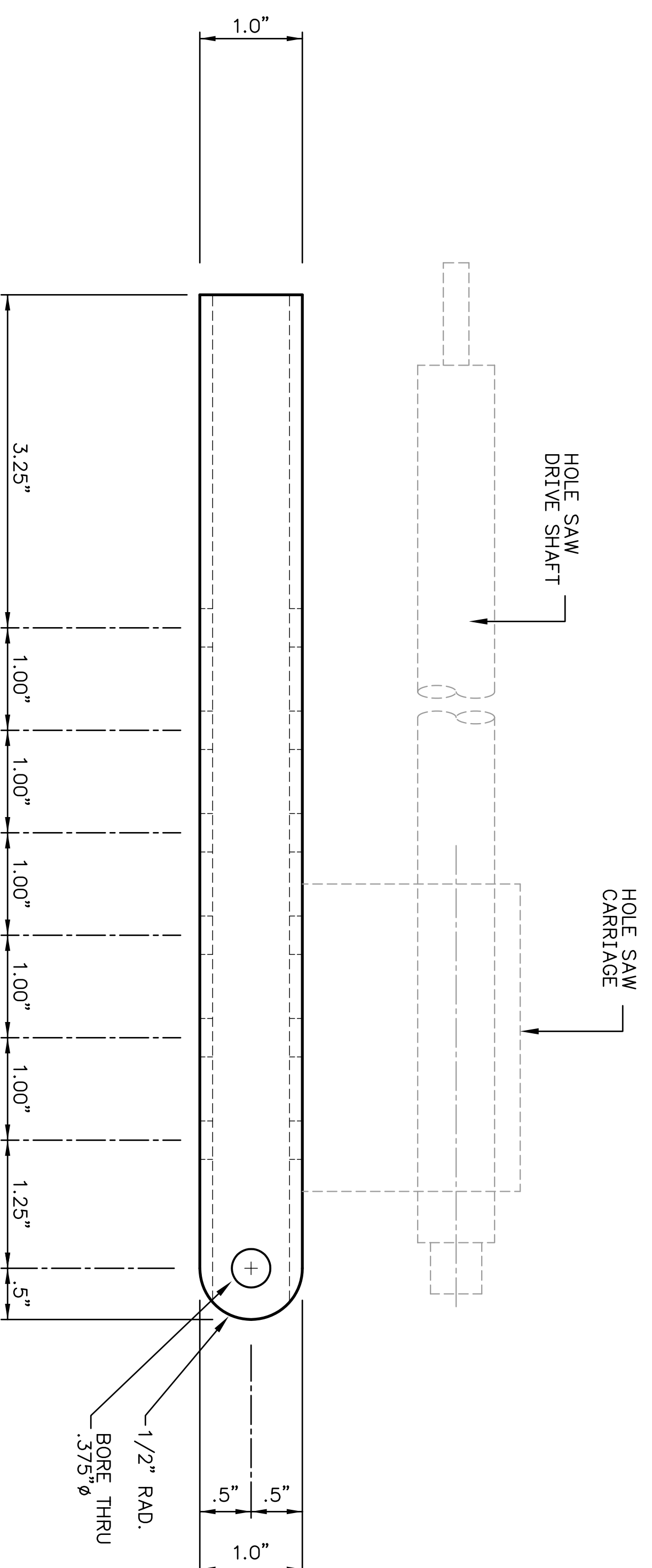


- GENERAL NOTES**
- 1 THE BRONZE BUSHINGS SHOULD BE A LIGHT PRESS FIT INTO THE SAW CARRIAGE
 - 2 THE SAW CARRIAGE CAN BE SALVAGED FROM ONE OF THE ECONOMIC HARBOR FREIGHT TUBE NOTCHERS.

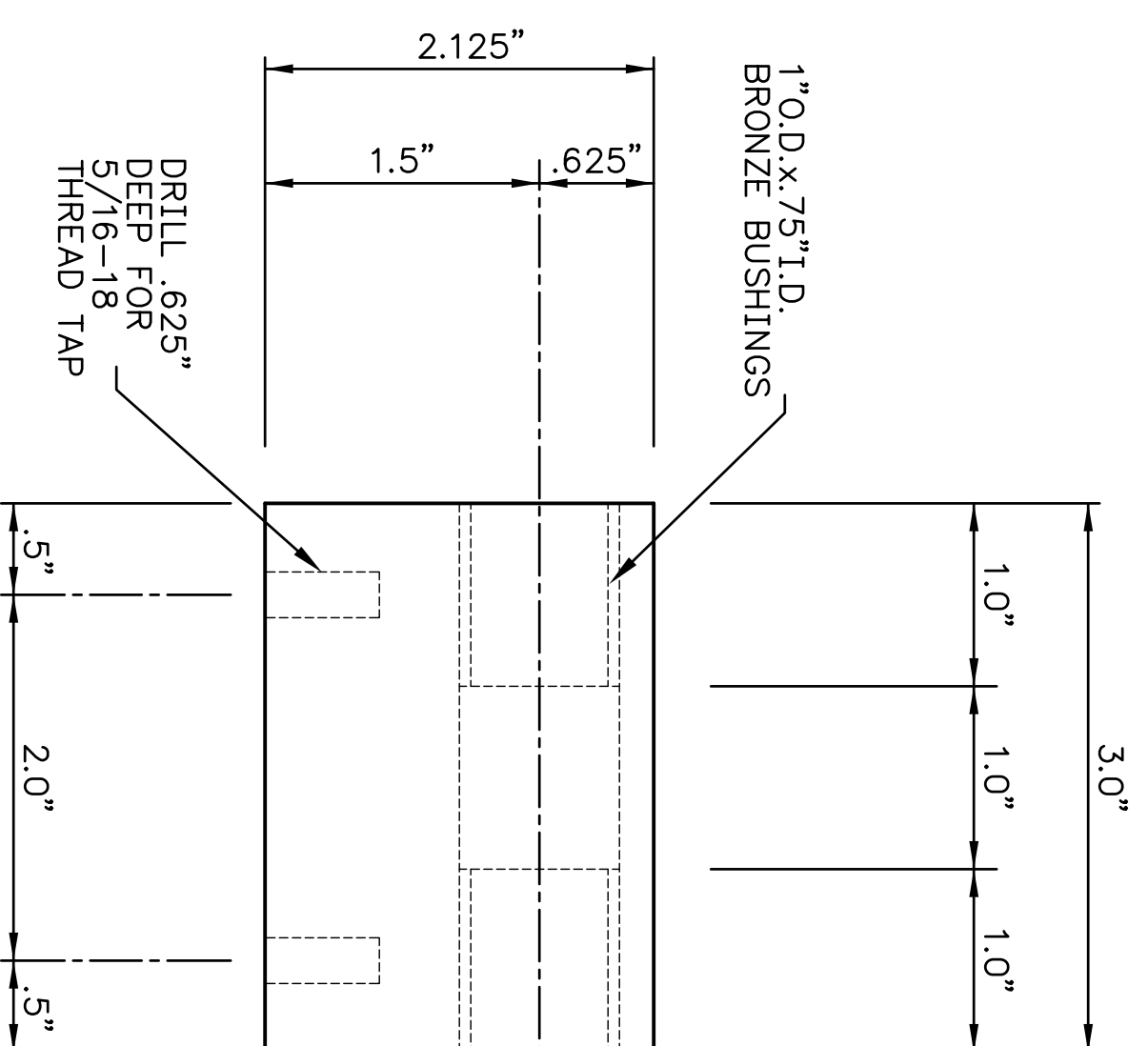
GARY W. WEISHAUP
PERFORMANCE ENGINEERING
CHASSIS FABRICATION
FLOWBENCH TESTING
MACHINE WORK
RESTORATIONS

1400 NORTH PARK BLVD
MADISON, INDIANA, 46209
PH: 707-252-3427
FAX: 707-252-3427
email: gw2@weishai.net

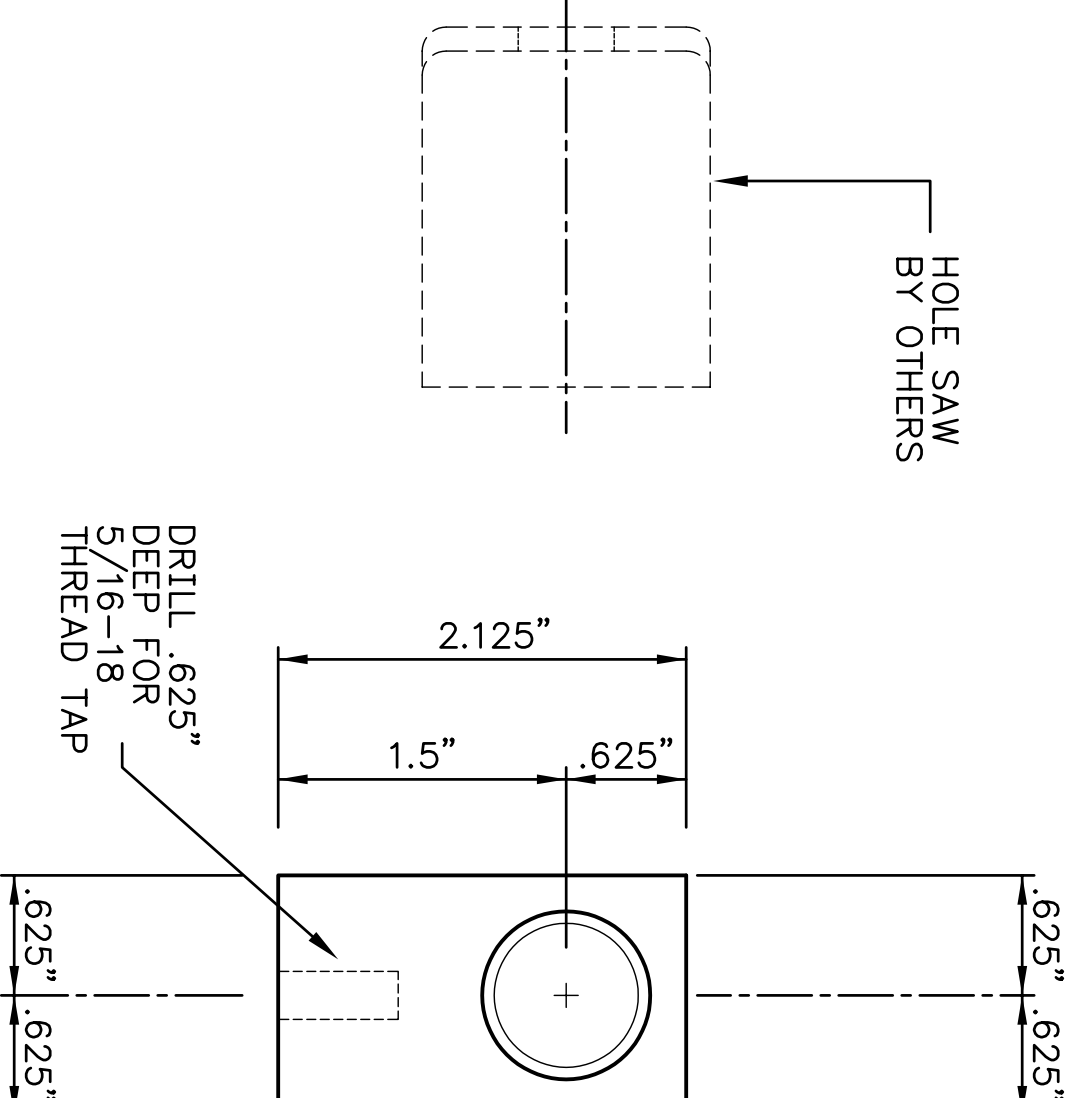
Revision	Date
* INITIAL LAYOUT	12-2-04
* GENERAL REVISION	7-20-06
* GENERAL REVISION	1-4-07



SIDE VIEW
1" = 1"

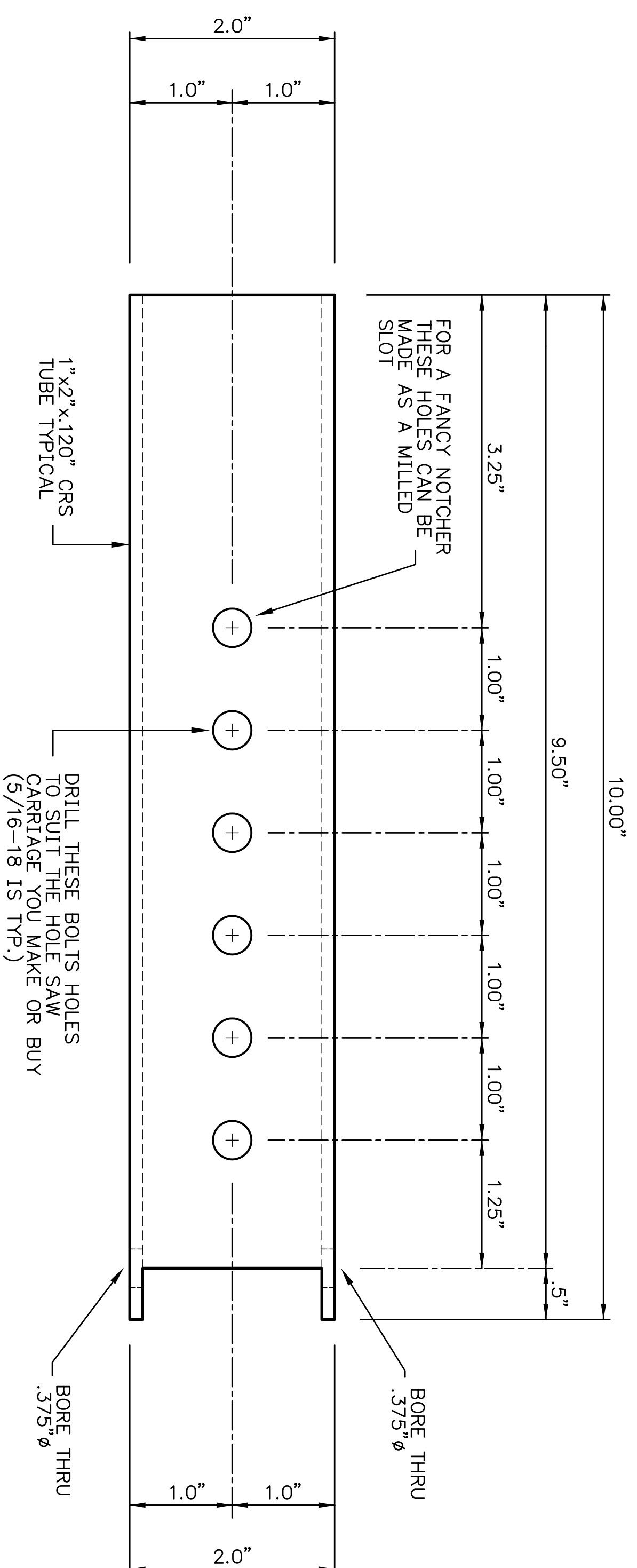


SIDE VIEW
1" = 1"



FRONT VIEW
1" = 1"

SAW CARRIAGE



TOP VIEW
1" = 1"

SAW CARRIAGE BEAM

CHOPPER BUILDERS HANDBOOK

BUDGET TUBING NOTCHER

Drawn By	G.W.
Date	1-4-07
Checked By	H.C.
Date	1-6-07
Scale	1" = 1"
Proj. No.	-
Sheet No.	-

SAW CARRIAGE BEAM ASSEMBLY

CBTN 4.1