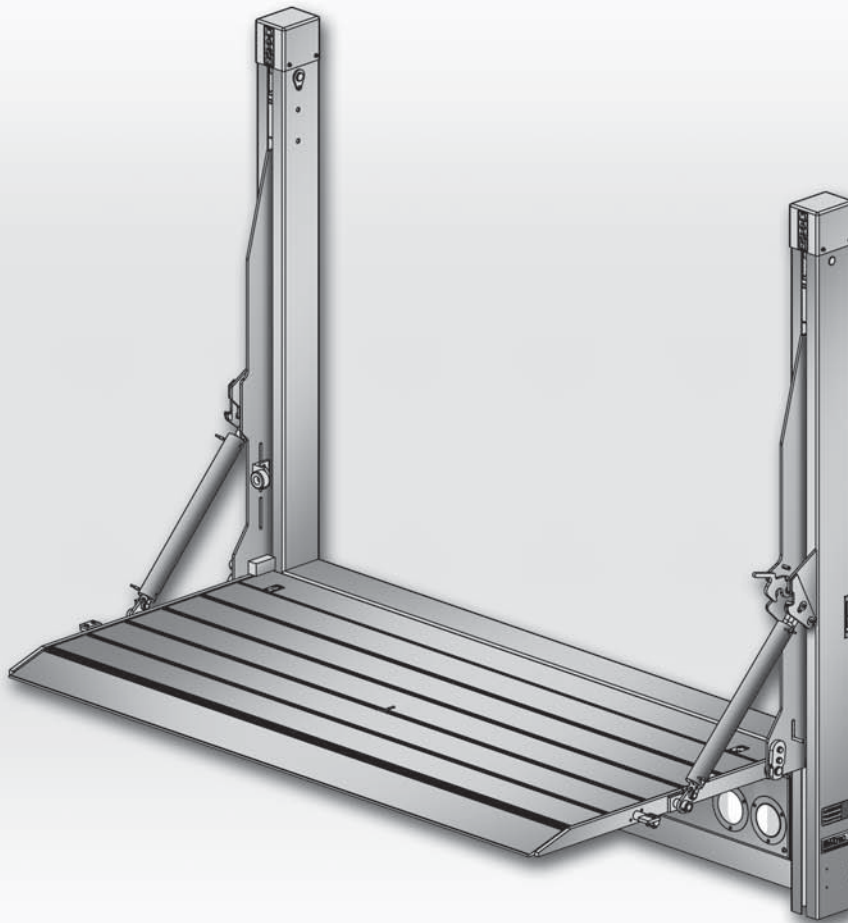


M-12-22
REV. G
OCTOBER 2016



MAXON® DMD Series

MAINTENANCE MANUAL DMD-22 & DMD-33



MAXON[®]

LIFT CORP.

11921 Slauson Ave.
Santa Fe Springs, CA. 90670

CUSTOMER SERVICE:

TELEPHONE (562) 464-0099 TOLL FREE (800) 227-4116

FAX: (888) 771-7713

NOTE: For latest version of all Manuals (and replacements), download the Manuals from Maxon's website at www.maxonlift.com.

WARRANTY/ RMA POLICY & PROCEDURE

LIFTGATE WARRANTY

Type of Warranty: Full Parts and Labor
Term of Warranty: Standard Liftgates - 2 years from ship date or 6,000 cycles
Premium Liftgates - 2 years from ship date or 10,000 cycles

This warranty shall not apply unless the product is installed, operated and maintained in accordance with MAXON Lift's specifications as set forth in MAXON Lift's Installation, Operation and Maintenance manuals. This warranty does not cover normal wear, maintenance or adjustments, damage or malfunction caused by improper handling, installation, abuse, misuse, negligence, or carelessness of operation. In addition, this warranty does not cover equipment that has had unauthorized modifications or alterations made to the product.

MAXON agrees to replace any components which are found to be defective during the first 2 years of service, and will reimburse for labor based on MAXON's Liftgate Warranty Flat Rate Schedule. (Copy of the Flat Rate is available at www.maxonlift.com.)

All warranty repairs must be performed by an authorized MAXON warranty facility. For any repairs that may exceed \$500, including parts and labor, MAXON's Technical Service Department must be notified and an "Authorization Number" obtained.

All claims for warranty must be received within 30 Days of the repair date, and include the following information:

1. Liftgate Model Number and Serial Number
2. The End User must be referenced on the claim
3. Detailed Description of Problem
4. Corrective Action Taken, and Date of Repair
5. Parts used for Repair, Including MAXON Part Number(s)
6. MAXON R.M.A. # and/or Authorization # if applicable (see below)
7. Person contacted at MAXON if applicable
8. Claim must show detailed information i.e. Labor rate and hours of work performed

Warranty claims can also be placed online at www.maxonlift.com. Online claims will be given priority processing.

All claims for warranty will be denied if paperwork has not been received or claim submitted via Maxon website for processing by MAXON's Warranty Department within 30 days of repair date.

All components may be subject to return for inspection, prior to the claim being processed. MAXON products may not be returned without prior written approval from MAXON's Technical Service Department. Returns must be accompanied by a copy of the original invoice or reference with original invoice number and are subject to a credit deduction to cover handling charges and any necessary reconditioning costs. **Unauthorized returns will be refused and will become the responsibility of the returnee.**

Any goods being returned to MAXON Lift must be pre-approved for return, and have the R.M.A. number written on the outside of the package in plain view, and returned freight prepaid. All returns are subject to a 15% handling charge if not accompanied by a detailed packing list. Returned parts are subject to no credit and returned back to the customer. Defective parts requested for return must be returned within 30 days of the claim date for consideration to:

MAXON Lift Corp.
10321 Greenleaf Ave., Santa Fe Springs, CA 90670
Attn: RMA#__

MAXON's warranty policy does not include the reimbursement for travel time, towing, vehicle rental, service calls, oil, batteries or loss of income due to downtime. Fabrication or use of non Maxon parts, which are available from MAXON, are also not covered.

MAXON's Flat Rate Labor Schedule takes into consideration the time required for diagnosis of a problem.

All Liftgates returned are subject to inspection and a 15% restocking fee. Any returned Liftgates or components that have been installed or not returned in new condition will be subject to an additional reworking charge, which will be based upon the labor and material cost required to return the Liftgate or component to new condition.

PURCHASE PART WARRANTY

Term of Warranty: 1 Year from Date of Purchase.

Type of Warranty: Part replacement only. MAXON will guarantee all returned genuine MAXON replacement parts upon receipt and inspection of parts and original invoice.

All warranty replacements parts will be sent out via ground freight. If a rush shipment is requested, all freight charges will be billed to the requesting party.

TABLE OF CONTENTS

SUMMARY OF CHANGES: M-12-22, REVISION G	7
WARNINGS	8
SAFETY INSTRUCTIONS	8
LIFTGATE TERMINOLOGY	11
PERIODIC MAINTENANCE	12
PERIODIC MAINTENANCE CHECKS	12
PREVENTATIVE MAINTENANCE (PM) CHECKLIST.....	13
CHECKING HYDRAULIC FLUID	14
CHANGING HYDRAULIC FLUID	16
PRESSURIZING HYDRAULIC SYSTEM.....	18
TORSION BAR REPLACEMENT & ADJUSTMENT.....	19
PARTS BREAKDOWN	24
FINAL ASSEMBLY (1-PIECE PLATFORM, SINGLE TORSION BAR)	24
FINAL ASSEMBLY (1-PIECE PLATFORM, DUAL TORSION BAR)	28
FINAL ASSEMBLY (1-PIECE PLATFORM WITH CART STOPS OR ALUMINUM RETENTION RAMP, SINGLE TORSION BAR)	32
FINAL ASSEMBLY (1-PIECE PLATFORM WITH CART STOPS OR ALUMINUM RETENTION RAMP, DUAL TORSION BAR).....	34
FINAL ASSEMBLY (1-PIECE PLATFORM WITH CART STOPS OR ALUMINUM RETENTION RAMP, EQUIPPED WITH POWER CLOSER).....	36
FINAL ASSEMBLY (2-PIECE PLATFORM).....	38
MAIN ASSEMBLY.....	42
MAIN ASSEMBLY (EQUIPPED WITH POWER CLOSER)	46
HOUSING COVER ASSEMBLY (WITHOUT LIGHTS)	50
HOUSING COVER ASSEMBLY (WITH FOUR LIGHTS)	52
HOUSING COVER ASSEMBLY, FOREIGN (6 LIGHTS - RED/WHITE/YELLOW)	54

HOUSING COVER ASSEMBLY, FOREIGN (6 LIGHTS - 4 RED/2 WHITE)	56
LH RUNNER.....	58
RH RUNNER.....	60
LH RUNNER (EQUIPPED WITH POWER CLOSER).....	62
RH RUNNER (EQUIPPED WITH POWER CLOSER)	64
ALUMINUM PLATFORM (1-PIECE, FIXED RAMP, EQUIPPED WITH POWER CLOSER).....	66
ALUMINUM PLATFORM (1-PIECE WITH SINGLE ALUMINUM RETENTION RAMP, EQUIPPED WITH POWER CLOSER)	68
ALUMINUM PLATFORM (1-PIECE WITH DUAL ALUMINUM RETENTION RAMPS, EQUIPPED WITH POWER CLOSER)	72
ALUMINUM PLATFORM (1-PIECE WITH DUAL CART STOPS, EQUIPPED WITH POWER CLOSER).....	76
ALUMINUM PLATFORM (1-PIECE, FIXED RAMP WITH SINGLE TORSION BAR).....	80
ALUMINUM PLATFORM (1-PIECE, FIXED RAMP WITH DUAL TORSION BARS).....	82
ALUMINUM PLATFORM (1-PIECE WITH SINGLE CART STOP)	84
ALUMINUM PLATFORM (1-PIECE WITH DUAL CART STOPS)	88
A ALUMINUM PLATFORM (1-PIECE WITH ALUMINUM RETENTION RAMP)	92
PLATFORM & FLIPOVER ASSEMBLY	100
PLATFORM & FLIPOVER ASSEMBLY	102
PLATFORM & FLIPOVER ASSEMBLY (TORSION BAR).....	104
PLATFORM & FLIPOVER ASSEMBLY WITH CART STOPS	108
PLATFORM & FLIPOVER ASSEMBLY (WITH CARTS STOPS AND TORSION BAR)	112
FLIPOVER ASSEMBLY (WITH SINGLE CART STOP).....	116
FLIPOVER ASSEMBLY (WITH SINGLE CART STOP WITH TORSION BAR).....	118
FLIPOVER ASSEMBLY (WITH DUAL CART STOPS).....	120

FLIPOVER ASSEMBLY (WITH DUAL CART STOPS AND TORSION BAR)	122
HYDRAULIC COMPONENTS (STANDARD)	124
HYDRAULIC COMPONENTS (EQUIPPED WITH POWER CLOSER)	126
12 VDC POWER UNIT (STANDARD)	130
12 VDC POWER UNIT (EQUIPPED WITH POWER CLOSER)	132
ELECTRICAL COMPONENTS (STANDARD).....	134
ELECTRICAL COMPONENTS (EQUIPPED WITH POWER CLOSER)	136
DECALS (STANDARD)	138
DECALS (EQUIPPED WITH POWER CLOSER)	140
SYSTEM DIAGRAMS	142
PUMP & MOTOR SOLENOID OPERATION (STANDARD)	142
PUMP MOTOR & VALVE OPERATION (EQUIPPED WITH POWER CLOSER)	143
HYDRAULIC SCHEMATIC (STANDARD).....	144
HYDRAULIC SCHEMATIC (EQUIPPED WITH POWER CLOSER)	145
ELECTRICAL SCHEMATIC (STANDARD).....	146
ELECTRICAL SCHEMATIC (EQUIPPED WITH POWER CLOSER).....	147
ELECTRICAL SCHEMATIC - JUMPER HARNESS ASSEMBLY	148
ELECTRICAL SCHEMATIC - HOUSING COVER ASSEMBLY (WITHOUT LIGHTS).....	149
ELECTRICAL SCHEMATIC - HOUSING COVER ASSEMBLY (WITH FOUR LIGHTS) ..	150
ELECTRICAL SCHEMATIC - HOUSING COVER ASSEMBLY, FOREIGN VEHICLE (WITH 6 LIGHTS)	151

SUMMARY OF CHANGES: M-12-22, REVISION G

PAGE	DESCRIPTION OF CHANGE
COVER	Updated REV, date of release.
27	Updated U-Bolt part number.
52-57	Added Isuzu electrical jumper to item 10 on the cover assemblies, and changed the part number of the foreign/domestic jumper. Added (2) screws to the license plate holder.
148	Added Isuzu jumper harness assembly diagram.

MAXON[®] 11921 Slauson Ave. Santa Fe Springs, CA. 90670 (800) 227-4116 FAX (888) 771-7713

Comply with the following **WARNINGS** and **SAFETY INSTRUCTIONS** while maintaining Liftgates. See Operation Manual for operating safety requirements.

WARNING

- Do not stand, or allow obstructions, under the platform when lowering the Liftgate. **Be sure your feet are clear of the Liftgate.**
- **Keep fingers, hands, arms, legs, and feet clear of moving Liftgate parts (and platform edges) when operating the Liftgate.**
- **Correctly stow platform when not in use. Extended platforms could create a hazard for people and vehicles passing by.**
- **Disconnect Liftgate power cable from battery** before repairing or servicing Liftgate.
- If it is necessary to stand on the platform while maintaining the Liftgate, keep your feet and any objects clear of the inboard edge of the platform. Your feet or objects on the platform can become trapped between the platform and the Liftgate housing cover.
- Recommended practices for welding on steel parts are contained in the current **AWS (American Welding Society) D1.1 Structural Welding Code - Steel**. Damage to Liftgate and/or vehicle, and personal injury could result from welds that are done incorrectly.
- Recommended practices for welding on aluminum parts are contained in the current **AWS (American Welding Society) D1.2 Structural Welding Code - Aluminum**. Damage to Liftgate and/or vehicle, and personal injury could result from welds that are done incorrectly.

SAFETY INSTRUCTIONS

- Read and understand the instructions in this **Maintenance Manual** before performing maintenance on the Liftgate.
- Before operating the Liftgate, read and understand the operating instructions in **Operation Manual**.
- Comply with all **WARNING** and instruction decals attached to the Liftgate.
- Keep decals clean and legible. If decals are illegible or missing, replace them. Free replacement decals are available from **Maxon Customer Service**.
- Consider the safety and location of bystanders and location of nearby objects when operating the Liftgate. Stand to one side of the platform while operating the Liftgate
- Do not allow untrained persons to operate the Liftgate.
- Wear appropriate safety equipment such as protective eyeglasses, faceshield and clothing while performing maintenance on the Liftgate and handling the battery. Debris from drilling and contact with battery acid may injure unprotected eyes and skin.
- Be careful working by an automotive type battery. Make sure the work area is well ventilated and there are no flames or sparks near the battery. Never lay objects on the battery that can short the terminals together. If battery acid gets in your eyes, immediately seek first aid. If acid gets on your skin, immediately wash it off with soap and water.

MAXON[®]

11921 Slauson Ave. Santa Fe Springs, CA. 90670 (800) 227-4116 FAX (888) 771-7713

- If an emergency situation arises (vehicle or Liftgate) while operating the Liftgate, release the control switch to stop the Liftgate.
- A correctly installed Liftgate operates smoothly and reasonably quiet. The only noticeable noise during operation comes from the power unit while the platform is raised. Listen for scraping, grating and binding noises and correct the problem before continuing to operate Liftgate.
- Use only **Maxon Authorized Parts** for replacement parts. Provide Liftgate model and serial number information with your parts order. Order replacement parts from:

MAXON LIFT CORP. Customer Service
11921 Slauson Ave., Santa Fe Springs, CA 90670

Online: www.maxonlift.com

Express Parts Ordering: Phone (800) 227-4116 ext. 4345

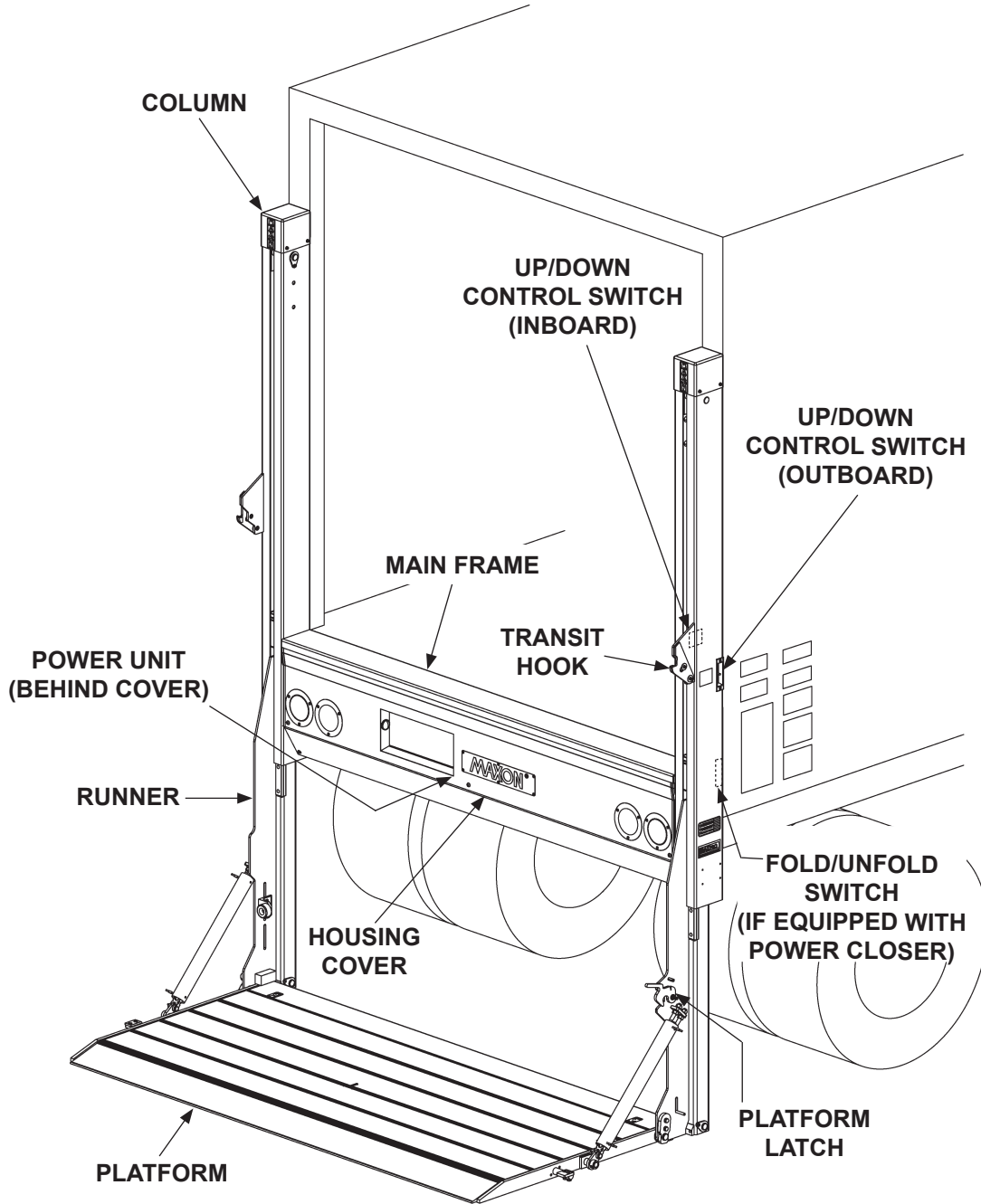
Email: Ask your Customer Service representative

THIS PAGE INTENTIONALLY LEFT BLANK

MAXON[®]

11921 Slauson Ave. Santa Fe Springs, CA. 90670 (800) 227-4116 FAX (888) 771-7713

LIFTGATE TERMINOLOGY



PERIODIC MAINTENANCE

PERIODIC MAINTENANCE CHECKS

WARNING

Never operate the Liftgate with parts loose or missing.

NOTE: Photocopy the PM CHECKLIST on the next page to help keep track of periodic maintenance on the Liftgate. Keep completed form with maintenance records.

Annually

Visually check the entire Liftgate for excessively worn parts and broken welds, especially the hinge pins. See **Parts Manual** for replacement parts. Also, do the **Semi-annual** and **Quarterly Maintenance** checks.

Semi-annually

Visually check the platform hinge pins for excessive wear and broken welds. See **Parts Manual** for replacement parts. Also, do the **Quarterly Maintenance** checks.

Quarterly

Check the hydraulic fluid level in the pump reservoir. Refer to the **CHECKING HYDRAULIC FLUID** procedure in the **PERIODIC MAINTENANCE** section.

- If hydraulic fluid appears contaminated, refer to the **CHANGING HYDRAULIC FLUID** procedure on following page.
- Keep track of the grade of hydraulic fluid in the pump reservoir. Never mix two different grades of fluid.
- Check lines and fittings for chaffing and fluid leaks. Replace if necessary.
- Check electrical wiring for chaffing and make sure wiring connections are tight and free of corrosion. **MAXON** recommends using dielectric grease on all electrical connections.
- Check that all **WARNING** and **instruction decals** are in place and legible.
- Check for loose or missing nuts, bolts, covers, roll pins, screws and pins.
- Check that platform latch and transit hook mechanisms work correctly and no parts are missing.

CAUTION

Damaged cylinder seals and contaminated hydraulic fluid can result from painting the polished portion of the cylinder rod. To prevent damage, protect the exposed polished portion of the cylinder rod while painting.

- Check for rust and oily surfaces on Liftgate. If there is rust or oil on the Liftgate, clean it off. Touch up the paint where bare metal is showing.

MAXON[®]

11921 Slauson Ave. Santa Fe Springs, CA. 90670 (800) 227-4116 FAX (888) 771-7713

PREVENTATIVE MAINTENANCE (PM) CHECKLIST

PM Interval: 3 Months

Date: ___ / ___ / ___

Equipment: _____

W/O # _____

Location: _____

Mechanic: _____

Serial # _____

Model # _____

Check Appropriate Box. "☐"

MAXON 1 st , 2 nd and 3 rd Quarter Liftgate Preventative Maintenance (PM) Procedures				
<input type="checkbox"/> Satisfactory	<input type="checkbox"/> Repair Required	<input type="checkbox"/> Corrected	1	Verify if the Quarterly or Annual PM is due by checking the PM sticker on the curbside Liftgate column.
<input type="checkbox"/> Satisfactory	<input type="checkbox"/> Repair Required	<input type="checkbox"/> Corrected	2	Check for oil leaks at: cylinders, valves, and fittings.
<input type="checkbox"/> Satisfactory	<input type="checkbox"/> Repair Required	<input type="checkbox"/> Corrected	3	Check for damage: platform, column, runners and hydraulic tubes.
<input type="checkbox"/> Satisfactory	<input type="checkbox"/> Repair Required	<input type="checkbox"/> Corrected	4	Check for loose or missing nuts, bolts, covers, roll pins, screws and pins.
<input type="checkbox"/> Satisfactory	<input type="checkbox"/> Repair Required	<input type="checkbox"/> Corrected	5	Check for cracked welds at: columns, runners, platform, main housing and vehicle door frame.
<input type="checkbox"/> Satisfactory	<input type="checkbox"/> Repair Required	<input type="checkbox"/> Corrected	6	Check platform lowering speed: Range is 16 - 30 seconds. Check cylinder lock valves for proper operation.
<input type="checkbox"/> Satisfactory	<input type="checkbox"/> Repair Required	<input type="checkbox"/> Corrected	7	Check platform pins and couplers.
<input type="checkbox"/> Satisfactory	<input type="checkbox"/> Repair Required	<input type="checkbox"/> Corrected	8	Check platform raising speed: Range is 12-13 seconds.
<input type="checkbox"/> Satisfactory	<input type="checkbox"/> Repair Required	<input type="checkbox"/> Corrected	9	Check that platform unlatches, unfolds & folds smoothly & latches securely.
<input type="checkbox"/> Satisfactory	<input type="checkbox"/> Repair Required	<input type="checkbox"/> Corrected	10	Check switches and wiring connections on Liftgate as well as pump inside main housing. Also check ground straps.
<input type="checkbox"/> Satisfactory	<input type="checkbox"/> Repair Required	<input type="checkbox"/> Corrected	11	Check the gear pump for unusual noise, i.e. squealing or extreme RPM output.
<input type="checkbox"/> Satisfactory	<input type="checkbox"/> Repair Required	<input type="checkbox"/> Corrected	12	Checking Oil Level: gravity down with the platform unfolded and on the ground. Oil level should be as shown in Installation Manual, "CHECKING HYDRAULIC FLUID". Check for contamination, change if needed.
<input type="checkbox"/> Satisfactory	<input type="checkbox"/> Repair Required	<input type="checkbox"/> Corrected	13	Check batteries: load test, corrosion, cables, hold downs and water level.
<input type="checkbox"/> Satisfactory	<input type="checkbox"/> Repair Required	<input type="checkbox"/> Corrected	14	Check all charging and ground cable connections.
<input type="checkbox"/> Satisfactory	<input type="checkbox"/> Repair Required	<input type="checkbox"/> Corrected	15	Complete a new PM sticker and install it on the curbside column of the Liftgate. The next PM date is 3 months from the completed PM date. Indicate on the PM sticker if 1 st , 2 nd , 3 rd or 4 th PM.
<input type="checkbox"/> Satisfactory	<input type="checkbox"/> Repair Required	<input type="checkbox"/> Corrected	16	Check that platform latch and transit hook mechanisms work correctly and no parts are missing.

MAXON 4 th Quarter Liftgate Preventative Maintenance (PM). Note: Includes steps 1-16				
<input type="checkbox"/> Satisfactory	<input type="checkbox"/> Repair Required	<input type="checkbox"/> Corrected	17	Change hydraulic fluid.
<input type="checkbox"/> Satisfactory	<input type="checkbox"/> Repair Required	<input type="checkbox"/> Corrected	18	Inspect wear on slide pads.

For more detailed information, please refer to the product maintenance manuals. Use only genuine Maxon replacement parts for all repairs.

TABLE 13-1

PERIODIC MAINTENANCE CHECKING HYDRAULIC FLUID

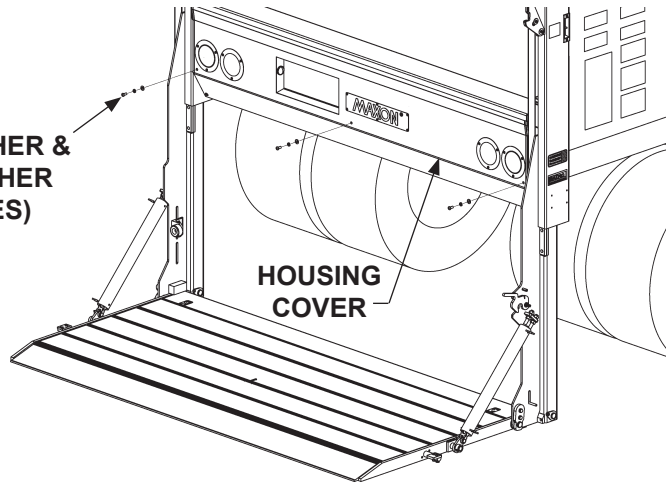
CAUTION

Keep dirt, water and other contaminants from entering the hydraulic system. Before opening the hydraulic fluid reservoir filler cap, drain plug and hydraulic lines, clean up contaminants that can get in the openings. Also, protect the openings from accidental contamination. Never mix synthetic fluids with conventional hydraulic fluids. Hydraulic system must be purged if the fluids are mixed.

NOTE: Liftgate is shipped with **Exxon Univas HVI-13** hydraulic fluid in the hydraulic cylinders. **Exxon Univas HVI-13** hydraulic fluid is recommended for operating temperatures of **-40 to +120° F**. Refer to decal in pump box. Under certain conditions, other brands and grades of oil may be used as substitutes for the recommended oil. Refer to **TABLES 15-1 & 15-2**.

NOTE: If the hydraulic fluid in the reservoir is contaminated, do the **CHANGING HYDRAULIC FLUID** procedure in this section.

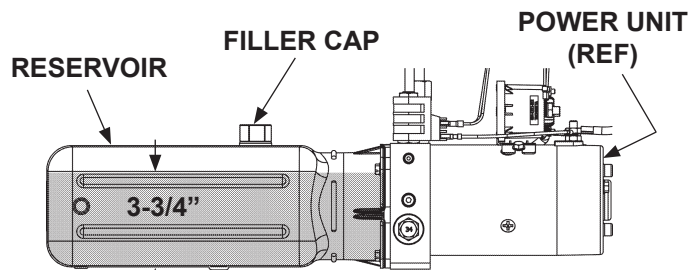
1. Open and lower platform to the ground (**FIG. 14-1**). Refer to **Operation Manual** for detailed operating instructions.
2. Unbolt main housing cover as shown in **FIG. 14-1**. Remove cover.
3. Check the hydraulic fluid level in reservoir as follows. With platform on the ground, level should be as shown in **FIG. 14-2**.
4. If needed, add fluid to the reservoir as follows. Remove filler cap (**FIG. 14-2**). Fill the reservoir with hydraulic fluid to level shown in **FIG. 14-2**. Reinstall filler cap.



**UNBOLTING/ BOLTING COVER
(PLATFORM ON THE GROUND)
FIG. 14-1**

CAUTION

Main housing cover must be correctly secured to prevent it from becoming a hazard.



**POWER UNIT FLUID LEVEL
(STANDARD POWER UNIT SHOWN)
FIG. 14-2**

5. Bolt on the main housing cover as shown in **FIG. 14-1**. Torque the 5/16"-18 cover bolts from **10 to 14 lb-ft**.

ISO-15 OR MIL-H-5606 TYPE HYDRAULIC OIL		
BRAND	PART NUMBER	REMARKS
EXXON	UNIVIS HVI-13	RECOMMENDED
CHEVRON	FLUID A, AW-MV-15	SUBSTITUTE
KENDALL	GLACIAL BLU	SUBSTITUTE
SHELL	TELLUS S2 VX 15	SUBSTITUTE
MOBIL	DTE-11M	SUBSTITUTE
ROSEMEAD	THS FLUID 17111	SUBSTITUTE

**ISO-15 SUBSTITUTE OILS WHEN RECOMMENDED
OIL IS UNAVAILABLE
TABLE 15-1**

ISO-32 HYDRAULIC OIL		
BRAND	PART NUMBER	REMARKS
CHEVRON	HIPERSYN 32	SUBSTITUTE
KENDALL	GOLDEN MV	SUBSTITUTE
SHELL	TELLUS S2 VX 32	SUBSTITUTE
MOBIL	DTE-13M, DTE-24, HYDRAULIC OIL-13	SUBSTITUTE
EXXON	UNIVIS N-32	SUBSTITUTE

**ISO-32 SUBSTITUTE OILS WHEN SEASONAL
TEMPERATURES ARE NEAR +100°F OR HIGHER
TABLE 15-2**

PERIODIC MAINTENANCE

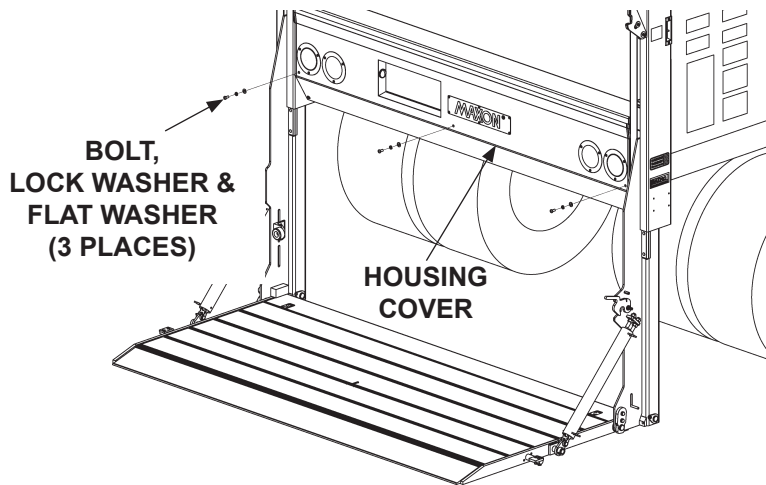
CHANGING HYDRAULIC FLUID

CAUTION

Keep dirt, water and other contaminants from entering the hydraulic system. Before opening the hydraulic fluid reservoir filler cap, drain plug and hydraulic lines, clean up contaminants that can get in the openings. Also, protect the openings from accidental contamination. Never mix synthetic fluids with conventional hydraulic fluids. Hydraulic system must be purged if the fluids are mixed.

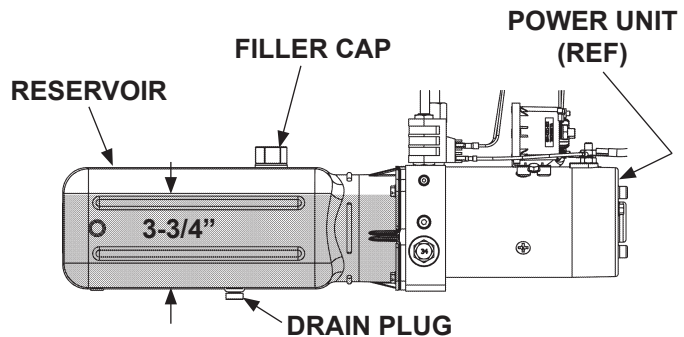
NOTE: Liftgate is shipped with **Exxon Univis HVI-13** hydraulic fluid in the hydraulic cylinders. **Exxon Univis HVI-13** hydraulic fluid is recommended for operating temperatures of **-40 to +120° F**. Refer to decal in pump box. Under certain conditions, other brands and grades of oil may be used as substitutes for the recommended oil. Refer to **TABLES 15-1 & 15-2**.

1. Open and lower platform to the ground (**FIG. 16-1**). Refer to **Operation Manual** for detailed operating instructions.



**UNBOLTING COVER
(PLATFORM ON THE GROUND)
FIG. 16-1**

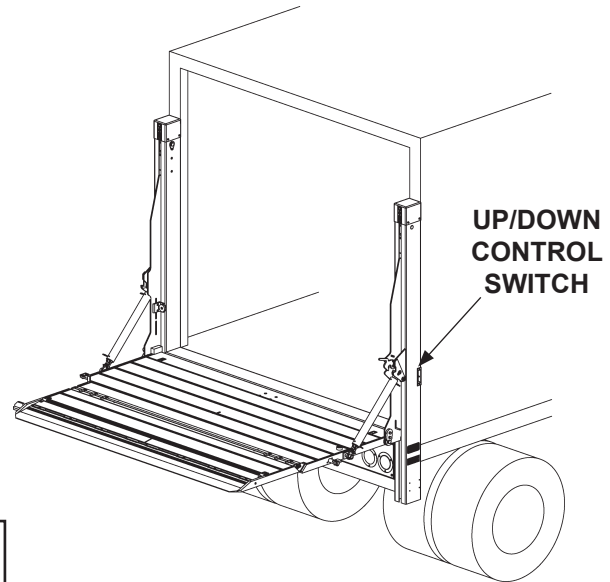
2. Unbolt main housing cover as shown in **FIG. 16-1**. Remove cover.
3. Remove drain plug (**FIG. 16-2**). Then, drain hydraulic fluid from reservoir.



**POWER UNIT
(STANDARD POWER UNIT SHOWN)
FIG. 16-2**

4. Reinstall drain plug (**FIG. 16-2**). Then, add new **Univis HVI-13** hydraulic fluid to level shown in **FIG. 16-2**.
5. Remove filler cap (**FIG. 16-2**). Then, add new **Univis HVI-13** hydraulic fluid to level shown in **FIG. 16-2**. Reinstall filler cap.

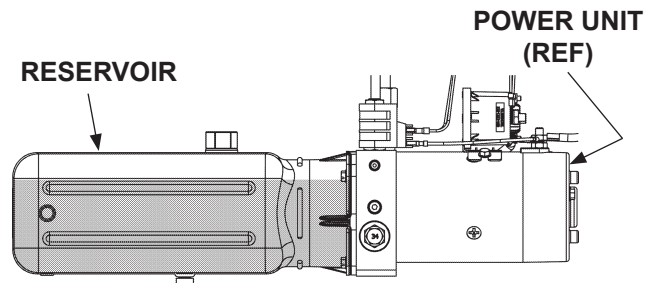
- Raise platform to bed height (**FIG. 17-1**). Continue to hold **UP/DOWN** control switch for 30 - 60 seconds to circulate hydraulic fluid through slave cylinder and reservoir (**FIG. 17-2**). Release **UP/DOWN** control switch.



PLATFORM AT BED HEIGHT
FIG. 17-1

NOTE: Three cycles of draining, filling, and circulating hydraulic fluid should be enough to fill the system with new hydraulic fluid.

- Repeat **instructions 1 through 5**, two times. Keep the platform open and cover removed.

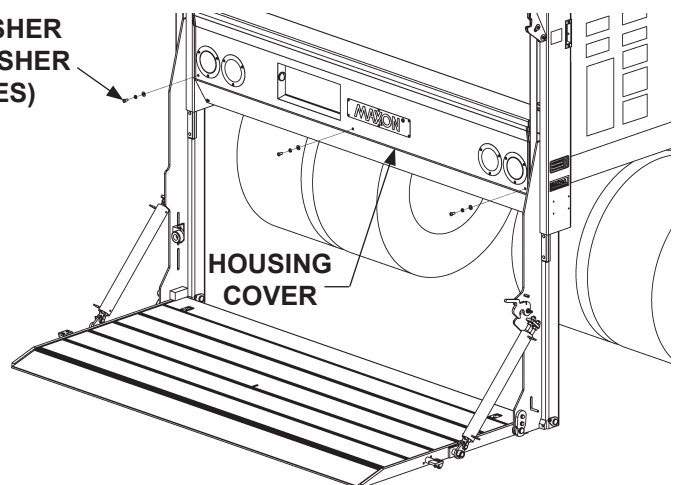


POWER UNIT
(STANDARD POWER UNIT SHOWN)
FIG. 17-2

- Lower platform to the ground (**FIG. 17-3**).

CAUTION
Main housing cover must be correctly secured to prevent it from becoming a hazard.

**BOLT,
LOCK WASHER
& FLAT WASHER
(3 PLACES)**



BOLTING ON COVER
FIG. 17-3

- Bolt on the main housing cover as shown in **FIG. 17-3**. Torque the 5/16"-18 cover bolts from **10 to 14 lb-ft**.

PERIODIC MAINTENANCE

PRESSURIZING HYDRAULIC SYSTEM

⚠ CAUTION

Operating Liftgate, under certain conditions, with air in system could result in damage to lift and load as well as personal injury. If lines are opened & closed or replaced, and if power unit or cylinders are replaced, pressurize hydraulic system before operating Liftgate with a passenger or load.

NOTE: When pump pressurizes fluid in hydraulic system, air is bled into reservoir through slave cylinder return line.

Hold the **UP/DOWN** control switch (**FIG. 18-1**) in the **UP** position for 30 - 60 seconds to pressurize hydraulic system and bleed air from system.

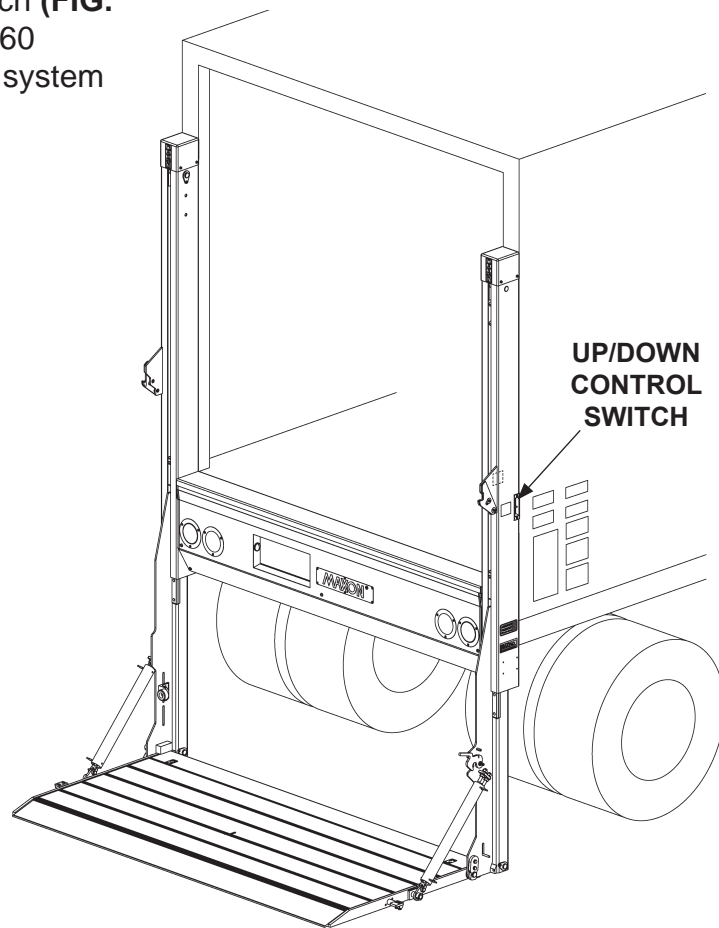


FIG. 18-1

MAXON[®]

11921 Slauson Ave. Santa Fe Springs, CA. 90670 (800) 227-4116 FAX (888) 771-7713

TORSION BAR REPLACEMENT & ADJUSTMENT

REPLACE LH TORSION BAR

WARNING

Ensure platform is latched securely in stowed position to release most tension from torsion bar(s) and keep platform from suddenly unfolding. Injury could result from unbolting the torsion bar under tension. When all tension is released from torsion bar(s), platform can unfold suddenly. Any person in the path of opening platform could be injured.

1. Stow platform (**FIG. 19-1**). Ensure platform is latched securely. Refer to **Operation Manual** for detailed operating instructions.
2. Support bottom of platform and flipover evenly on RH and LH sides (**FIG. 19-1**).

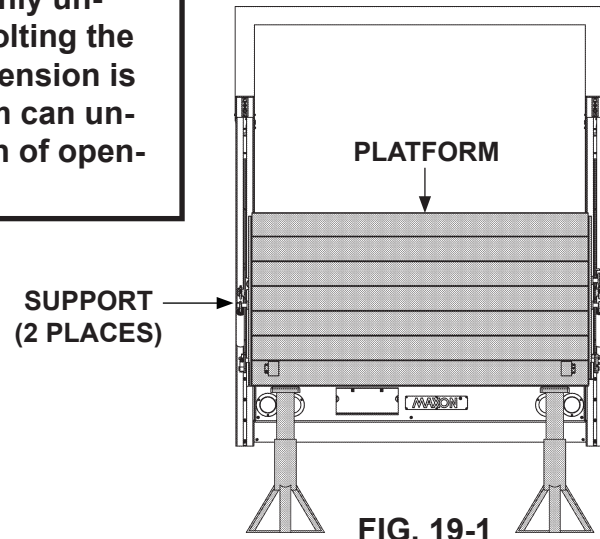


FIG. 19-1

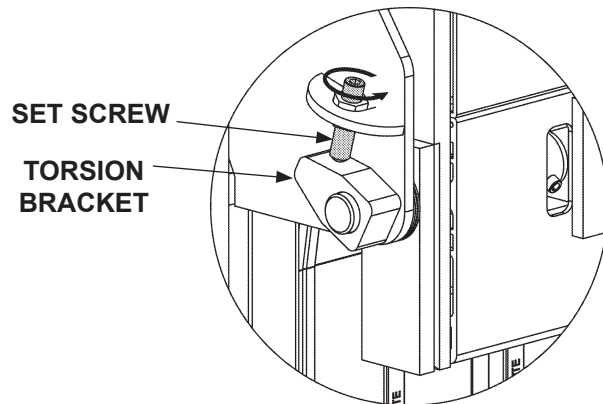


FIG. 19-2

3. On LH runner, adjust the torsion bracket set screw counter-clockwise (**FIG. 19-2**) until there is a small gap between set screw and the torsion bracket (**FIG. FIG. 19-2**). Gap indicates tension is removed from torsion bar.
4. Drive roll pin from pin collar and torsion bar pin (**FIG. 19-3**). Then, remove torsion bar pin, spacer and torsion bar (**FIG. 19-3**).

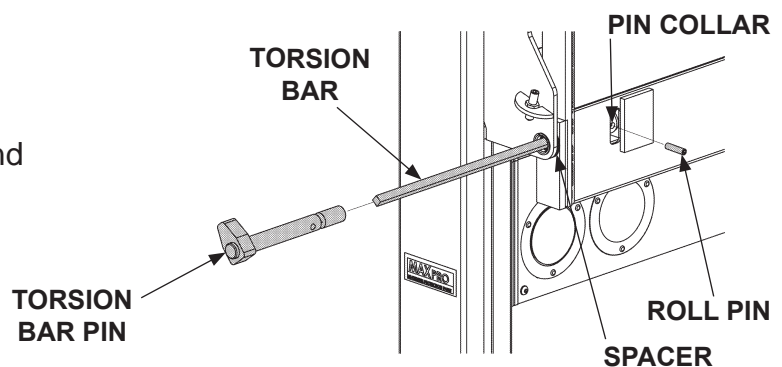


FIG. 19-3

PERIODIC MAINTENANCE

TORSION BAR REPLACEMENT & ADJUSTMENT - Continued

5. Insert torsion bar pin through LH runner, platform, spacer, and pin collar (**FIG. 20-1**). Then, rotate torsion bar to position shown (**FIG. 20-1**) and depending on platform, engage with torsion bar pin on RH side of platform (**FIG. 20-2**), or engage with torsion bar housing (anchor stop weldment, P/N 285799-01) as shown in **FIG. 20-3**.
6. Line up holes in pin collar and torsion bar pin (**FIG. 20-1**). Secure collar to torsion bar pin with roll pin.
7. Ensure platform is latched securely in stow position. Then, remove platform supports.

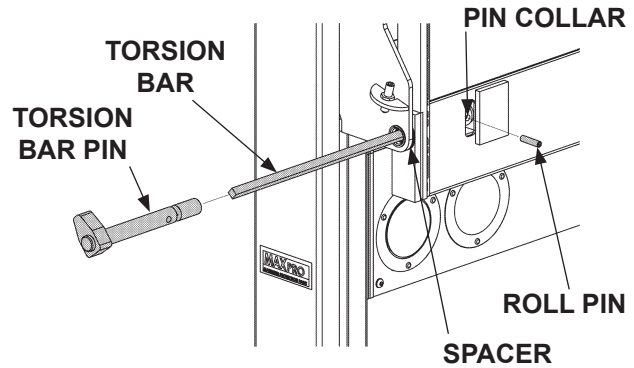


FIG. 20-1

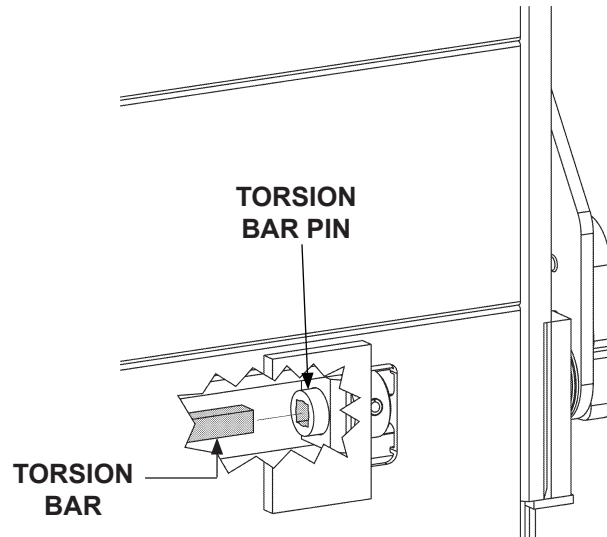


FIG. 20-2

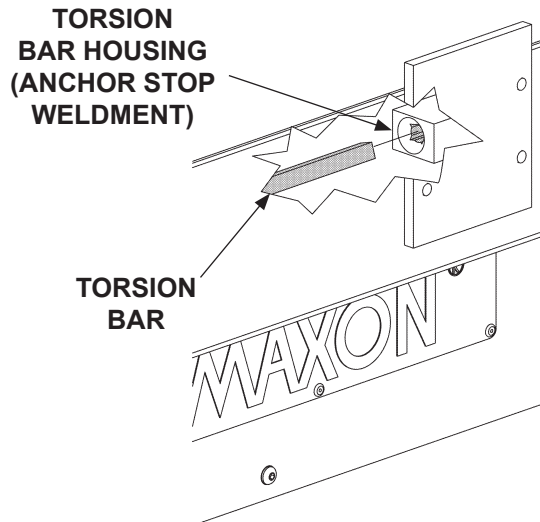


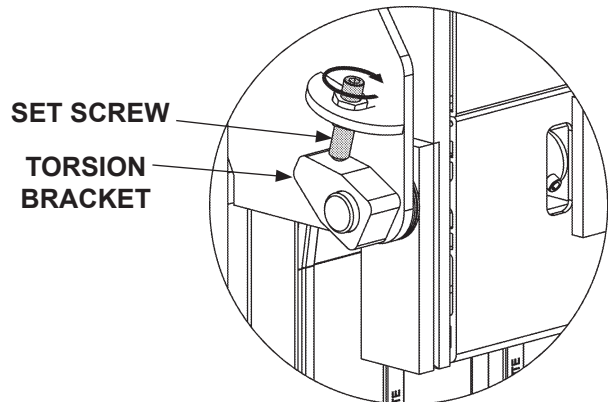
FIG. 20-3

ADJUST LH TORSION BAR

WARNING

Platform can unfold suddenly with no tension on torsion bar. Stay out of the path of unfolding platform when adjusting the torsion bar. Get second person to help unlatch platform.

1. Stow platform. Refer to **Operation Manual** for detailed operating instructions.
2. On LH runner, adjust the torsion bracket set screw clockwise until tension is applied to torsion bar (**FIG. 21-1**).
3. Unlatch platform (**FIG. 21-2**). Platform should just escape the latch as shown in **FIG. 21-2, position 1**.
4. Unfold platform until pin is 2"-3" from latch (**FIG. 21-2, position 2**). Release hold on platform to observe if platform starts to fold, stays partially unfolded, or starts falling open with no restraint. Platform should require a little more pull to unfold and should unfold slowly when released (**FIG. 21-2, position 3**). To increase the amount of pull for unfolding platform, adjust the torsion bracket set screw clockwise until increased tension is applied to torsion bar. Once the platform is unfolded, it should lay flat (**FIG. 21-2, position 3**). If the platform does not lay flat, the LH torsion bar must be adjusted for decreased tension. To decrease amount of pull, adjust the torsion bracket set screw counter-clockwise until tension is removed from torsion bar (**FIG. 21-3**). To keep the platform from falling open, adjust set screw clockwise (**FIG. 21-1**) until platform just starts to fold from **position 2** as shown in **FIG. 21-2**.
5. Platform can be stowed or returned to operation after adjustment is done correctly.



INCREASE PULL
FIG. 21-1

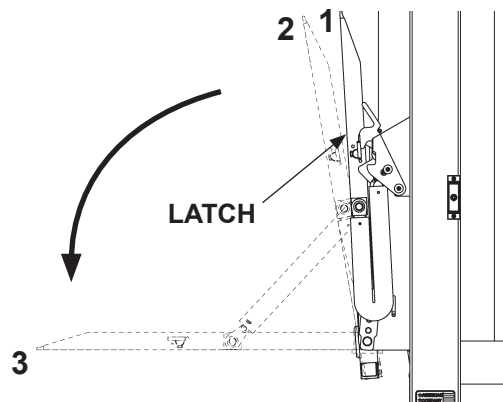
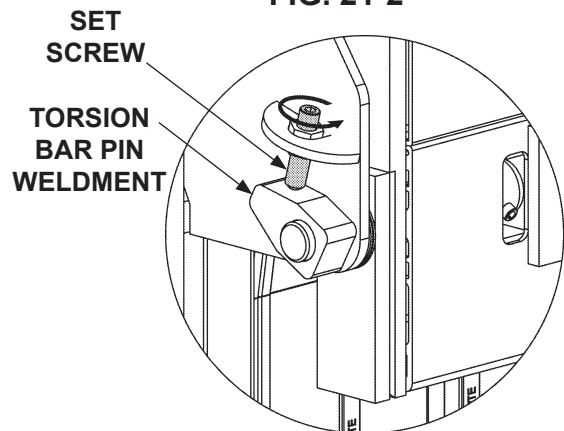


FIG. 21-2



DECREASE PULL
FIG. 21-3

PERIODIC MAINTENANCE

TORSION BAR REPLACEMENT & ADJUSTMENT - Continued

REPLACE RH TORSION BAR (IF EQUIPPED)

1. Stow platform. Refer to **Operation Manual** for detailed operating instructions.
2. Support bottom of platform and flipover evenly on RH and LH sides (**FIG. 22-1**).

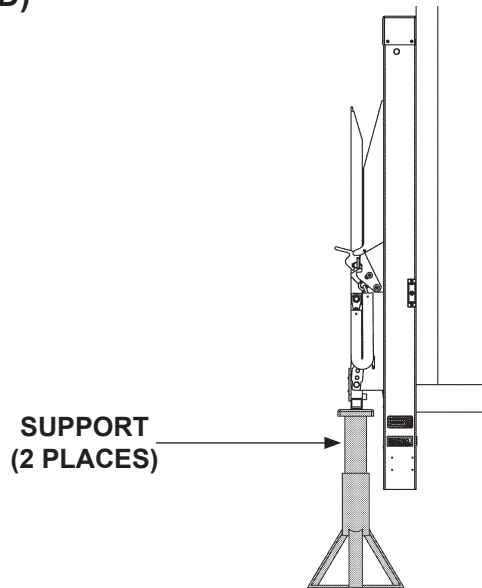


FIG. 22-1

3. On RH runner, unbolt the platform and runner pin from RH runner (**FIG. 22-2**).

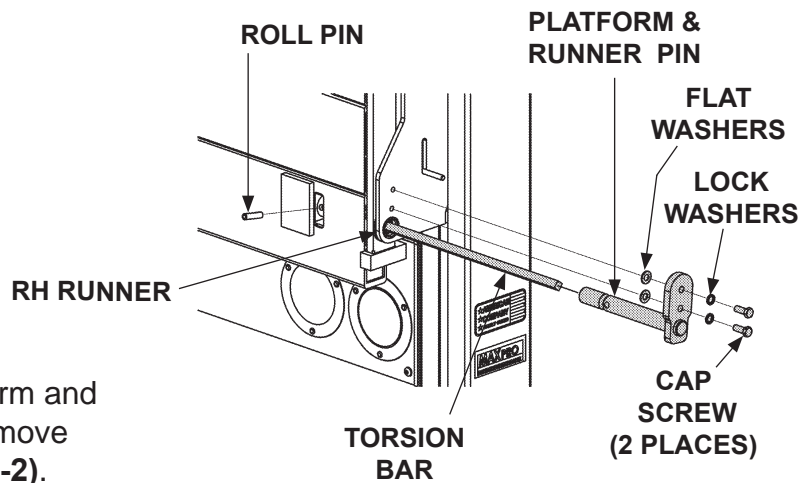


FIG. 22-2

4. Next, remove roll pin from platform and runner pin (**FIG. 22-2**). Then, remove platform and runner pin (**FIG. 22-2**).
5. Remove torsion bar from torsion bar housing (**FIG. 22-3**).

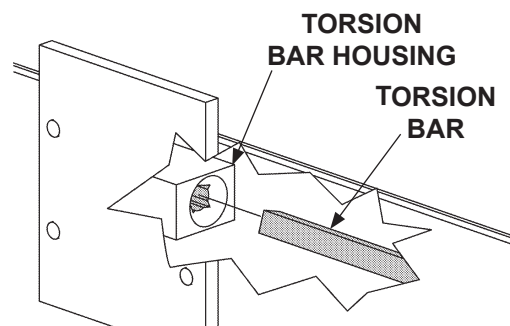


FIG. 22-3

6. With platform in vertical position, insert the torsion bar into the RH pin weldment, through RH runner, platform spacer and pin collar, and engage with torsion bar housing weldment (**FIG. 23-1**).

7. Rotate the RH pin weldment clockwise to line up the pin weldment holes with the RH runner threaded holes (**FIG. 23-2**).

8. Line up holes in pin collar and torsion bar pin (**FIG. 23-2**). Secure collar to torsion bar with roll pin on both sides of platform.

9. Ensure platform is latched securely in stow position. Then, remove platform supports.

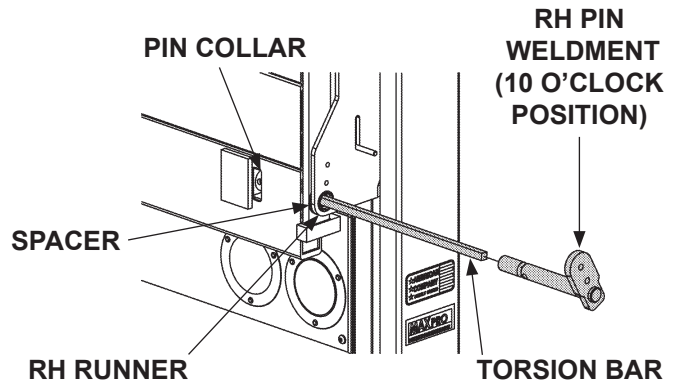


FIG. 23-1

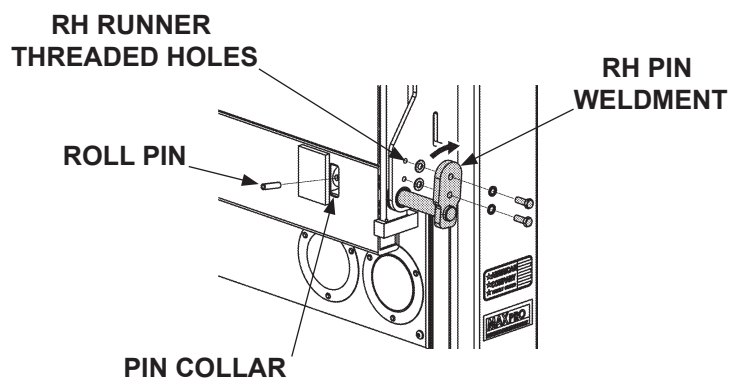
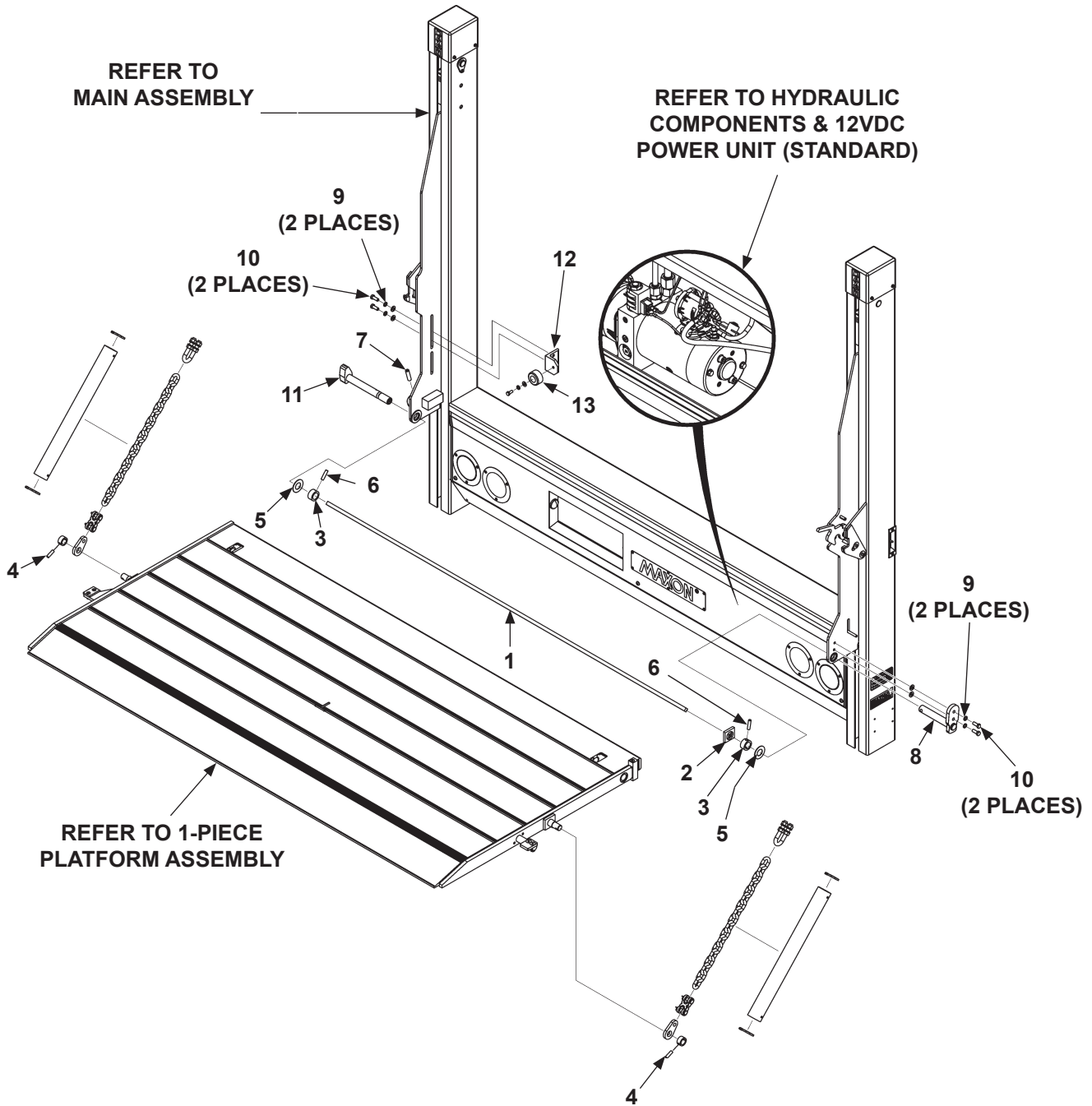


FIG. 23-2

PARTS BREAKDOWN

FINAL ASSEMBLY (1-PIECE PLATFORM, SINGLE TORSION BAR)



MAXON[®]

11921 Slauson Ave. Santa Fe Springs, CA. 90670 (800) 227-4116 FAX (888) 771-7713

ITEM	QTY.	DESCRIPTION	PART NO.		
			36" DEEP PLATFORM	42" DEEP PLATFORM	48" DEEP PLATFORM
1	1	TORSION BAR	263041-09		
2	1	ANCHOR STOP WELDMENT, RH	285252-01		
3	2	PIN COLLAR	253630		
4	2	ROLL PIN, 3/8" X 1-1/2" LG.	904723-04		
5	2	FIBERGLIDE THRUST BEARING, 1" I.D.	908078-01		
6	2	ROLL PIN, 3/8" X 1-1/4" LG.	904723-03		
7	1	HEX SET SCREW, 1/2"-20 X 2" LG.	901209-09		
8	1	PIN, PLATFORM AND RUNNER, RH, 6-7/16" LG.	284070-02		
9	4	NORD-LOCK WASHER, 3/8"	903448-02		
10	4	HEX CAP SCREW, 3/8" - 16 X 1" LG.	900764-06		
11	1	TORSION BAR PIN WELDMENT	285992-01		
12	1	BUMPER BRACKET	286768-01		
13	1	RUBBER BUMPER, 2" X 1"	253516		

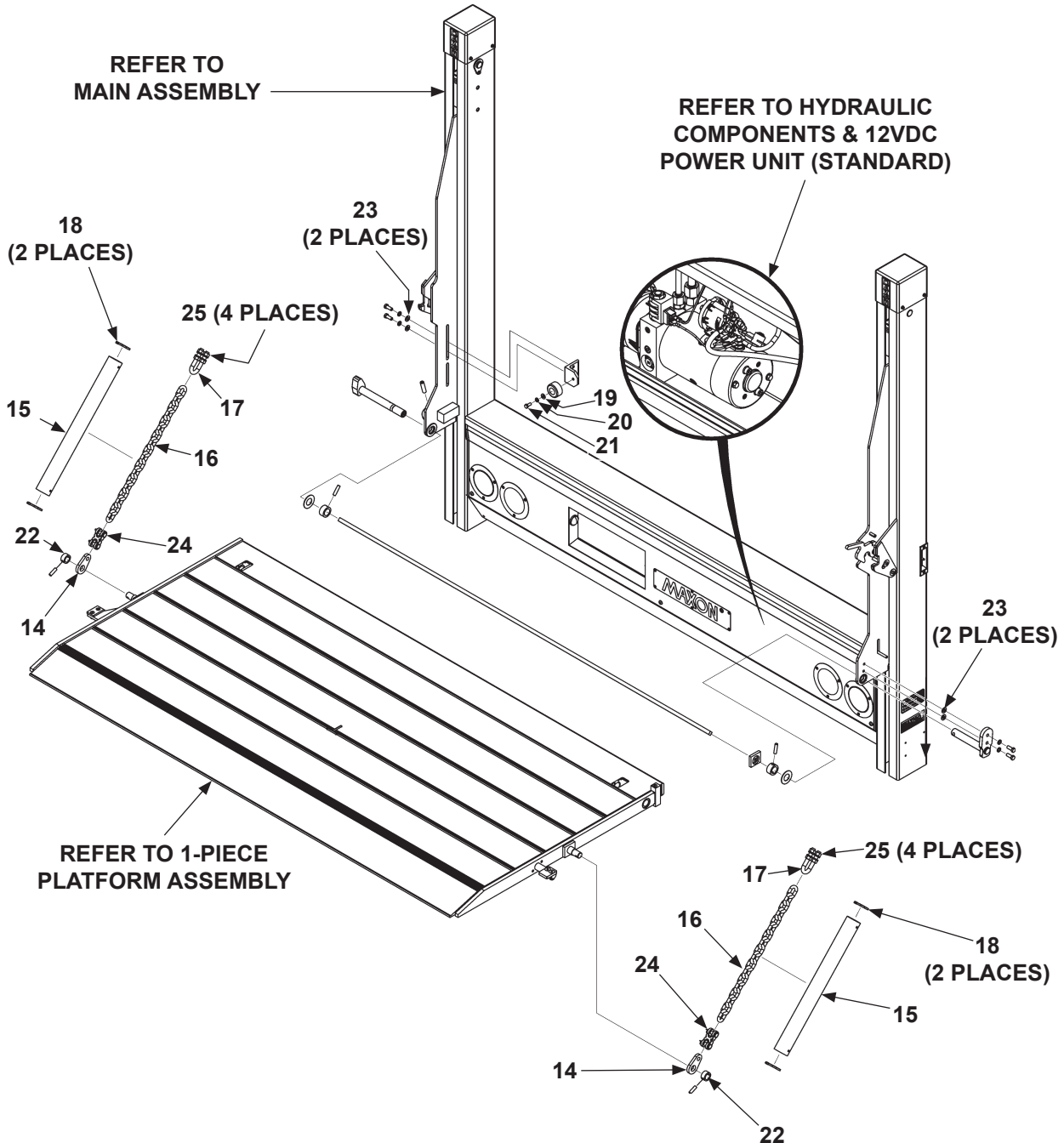
MAXON[®] 11921 Slauson Ave. Santa Fe Springs, CA. 90670 (800) 227-4116 FAX (888) 771-7713

PARTS BREAKDOWN

FINAL ASSEMBLY (1-PIECE PLATFORM, SINGLE TORSION BAR) - Continued

⚠ CAUTION

MAXON recommends replacing LH & RH platform support chains as a set. Possible harm to users or bystanders and/or equipment damage could result if chains are only replaced one at a time.



MAXON[®]

11921 Slauson Ave. Santa Fe Springs, CA. 90670 (800) 227-4116 FAX (888) 771-7713

ITEM	QTY.	DESCRIPTION	PART NO.		
			36" DEEP PLATFORM	42" DEEP PLATFORM	48" DEEP PLATFORM
14	2	CHAIN HOLDER BRACKET	285990-04		
15	2	PROTECTIVE CHAIN SLEEVE, 21" LG.	261609-16		
16	2	CHAIN (1/4") X 21-5/8" LG.	253606-21		
17	2	U-BOLT, 1/2" O.D.	288727-01		
18	4	PLASTIC TIE, 7" LG.	205780		
19	1	FENDER WASHER, 5/16" X 3/4" O.D.	903409-02		
20	1	LOCK WASHER, 9/16" O.D. X 5/16" I.D.	902019-4		
21	1	HEX BOLT, 5/16"-18 X 3/4" LG.	901602-04		
22	2	CHAIN HOLDER BRACKET SPACER	283537-01		
23	4	FLAT WASHER, 3/8" X 1/32" THICK	903447-01		
24	2	CHAIN SHACKLE	288728-01		
25	8	LOCK WASHER, 7/8" O.D X 1/2" I.D.	902019-7		

ITEM	QTY.	DESCRIPTION	PART NO.	
			90" WIDE PLATFORM	96" WIDE PLATFORM
1	2	PROTECTIVE CHAIN SLEEVE, 21" LG.	261609-16	
2	4	FLAT HEAD SOCKET SCREW, 3/8"-16 X 2-1/2" LG.	900061-10	
3	2	PIN COLLAR	253630	
4	2	ROLL PIN, 3/8" X 1-1/2" LG.	904723-04	
5	2	FIBERGLIDE THRUST BEARING, 1" I.D.	908078-01	
6	1	BUMPER BRACKET	286768-01	
7	1	RUBBER BUMPER, 2" X 1"	253516	
8	1	PIN, PLATFORM AND RUNNER, RH, 6-7/16" LG.	284070-03	
9	4	NORD-LOCK WASHER, 3/8"	903448-02	
10	4	HEX CAP SCREW, 3/8"-16 X 1" LG.	900764-06	
11	1	TORSION BAR PIN WELDMENT	285992-04	
12	1	HEX SET SCREW, 1/2"-20 X 2" LG.	901209-09	
13	2	CHAIN SHACKLE	288728-01	
14	2	CHAIN HOLDER BRACKET	285990-04	
15	2	ROLL PIN, 3/8" X 1-1/4" LG.	904723-03	

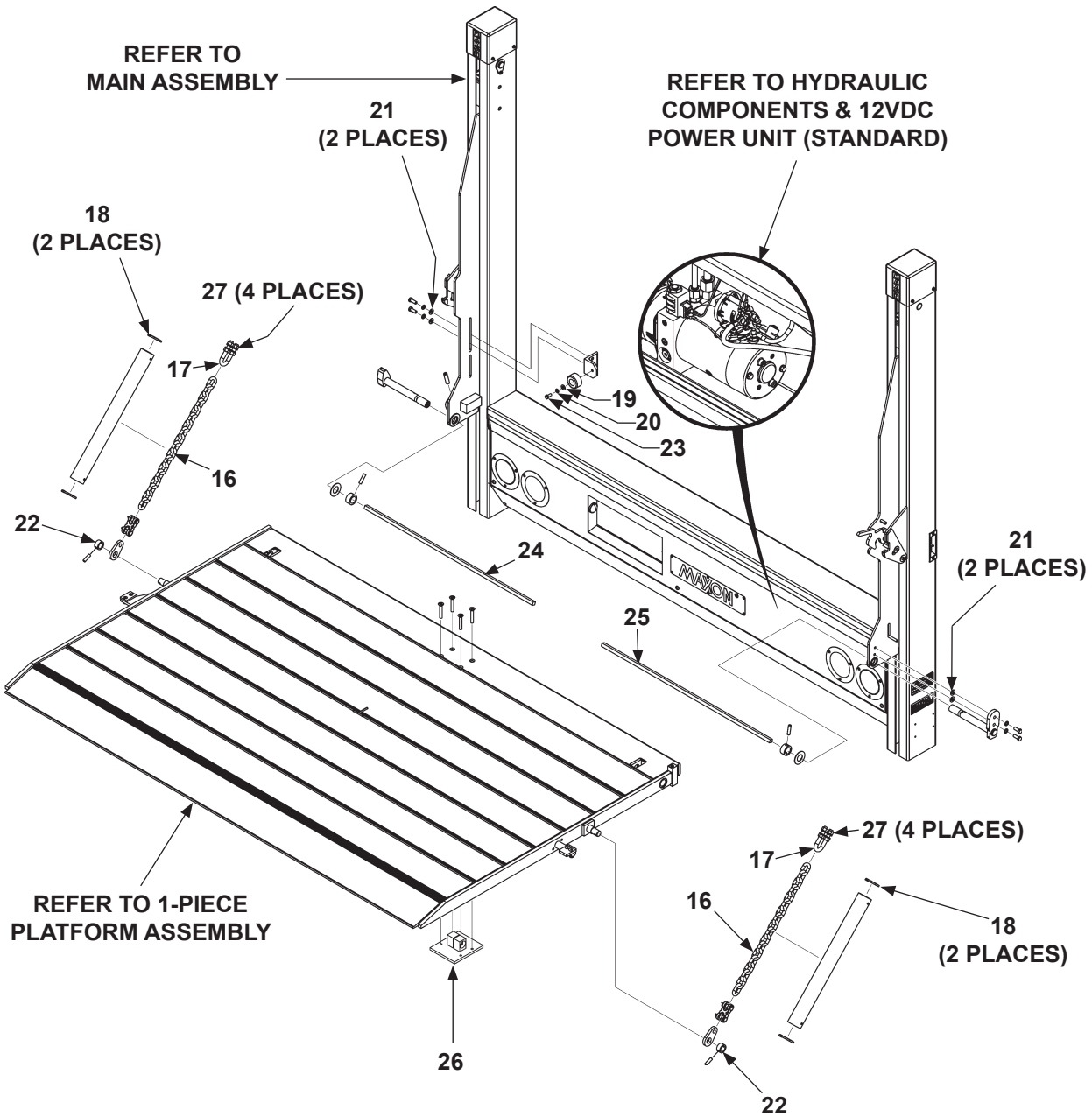
PARTS BREAKDOWN

FINAL ASSEMBLY (1-PIECE PLATFORM, DUAL TORSION BAR)

- Continued

! CAUTION

MAXON recommends replacing LH & RH platform support chains as a set. Possible harm to users or bystanders and/or equipment damage could result if chains are only replaced one at a time.



MAXON[®]

11921 Slauson Ave. Santa Fe Springs, CA. 90670 (800) 227-4116 FAX (888) 771-7713

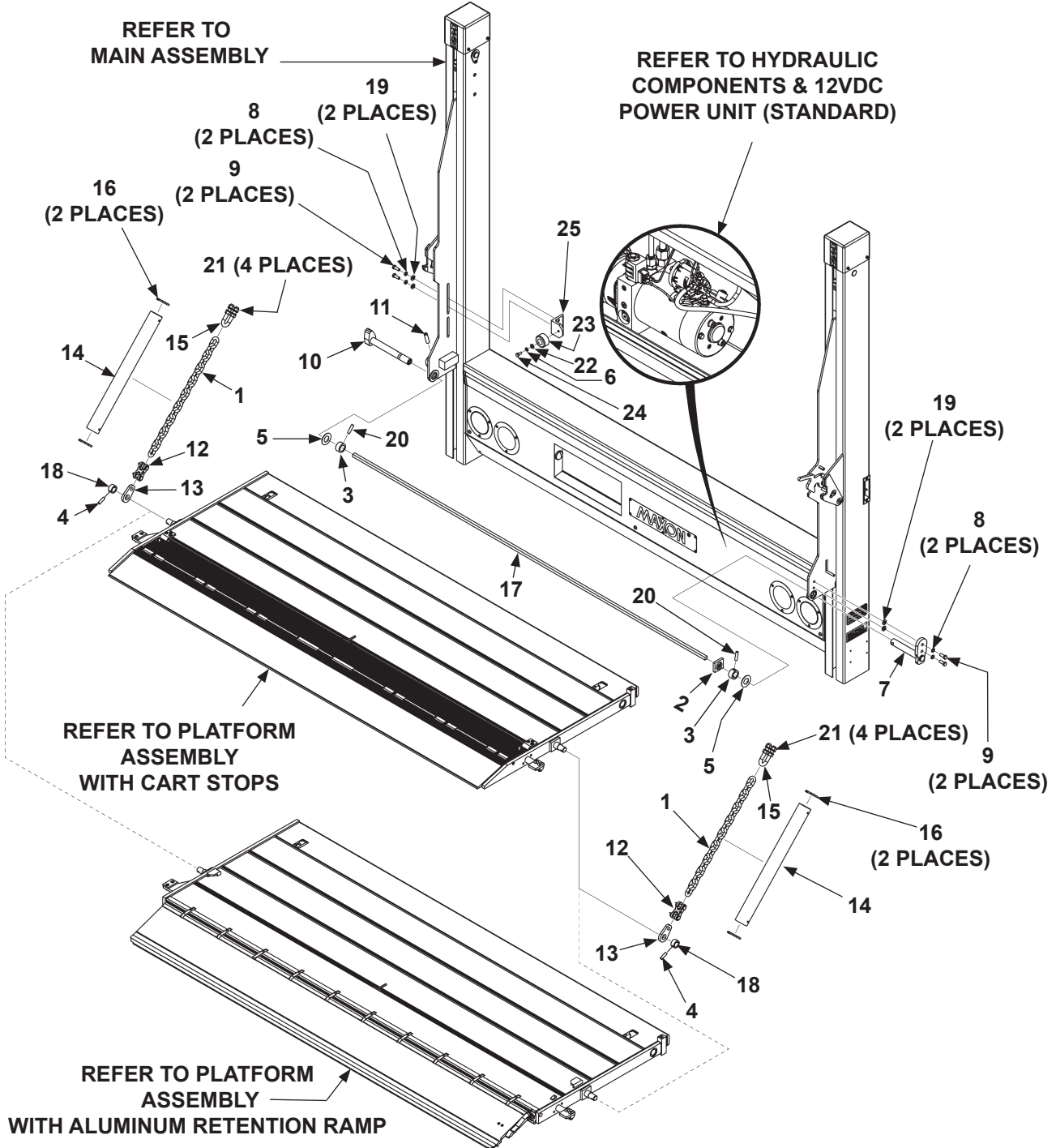
ITEM	QTY.	DESCRIPTION	PART NO.	
			90" WIDE PLATFORM	96" WIDE PLATFORM
16	2	CHAIN (1/4") X 21-5/8" LG.	253606-21	
17	2	U-BOLT, 1/2" O.D.	288727-01	
18	4	PLASTIC TIE, 7" LG.	205780	
19	1	FENDER WASHER, 5/16" X 3/4" O.D.	903409-02	
20	1	LOCK WASHER, 9/16" O.D. X 5/16" I.D.	902019-4	
21	4	FLAT WASHER, 3/8" X 1/32" THICK	903447-01	
22	2	CHAIN HOLDER BRACKET SPACER	283537-01	
23	1	HEX BOLT, 5/16"-18 X 3/4" LG.	901602-04	
24	1	TORSION BAR, LH	263041-13	263041-12
25	1	TORSION BAR, RH	263041-14	263041-16
26	1	TORSION BAR HOUSING WELDMENT	285799-01	
27	8	LOCK WASHER, 7/8" O.D X 1/2" I.D.	902019-7	

PARTS BREAKDOWN

FINAL ASSEMBLY (1-PIECE PLATFORM WITH CART STOPS OR ALUMINUM RETENTION RAMP, SINGLE TORSION BAR)

⚠ CAUTION

MAXON recommends replacing LH & RH platform support chains as a set. Possible harm to users or bystanders and/or equipment damage could result if chains are only replaced one at a time.



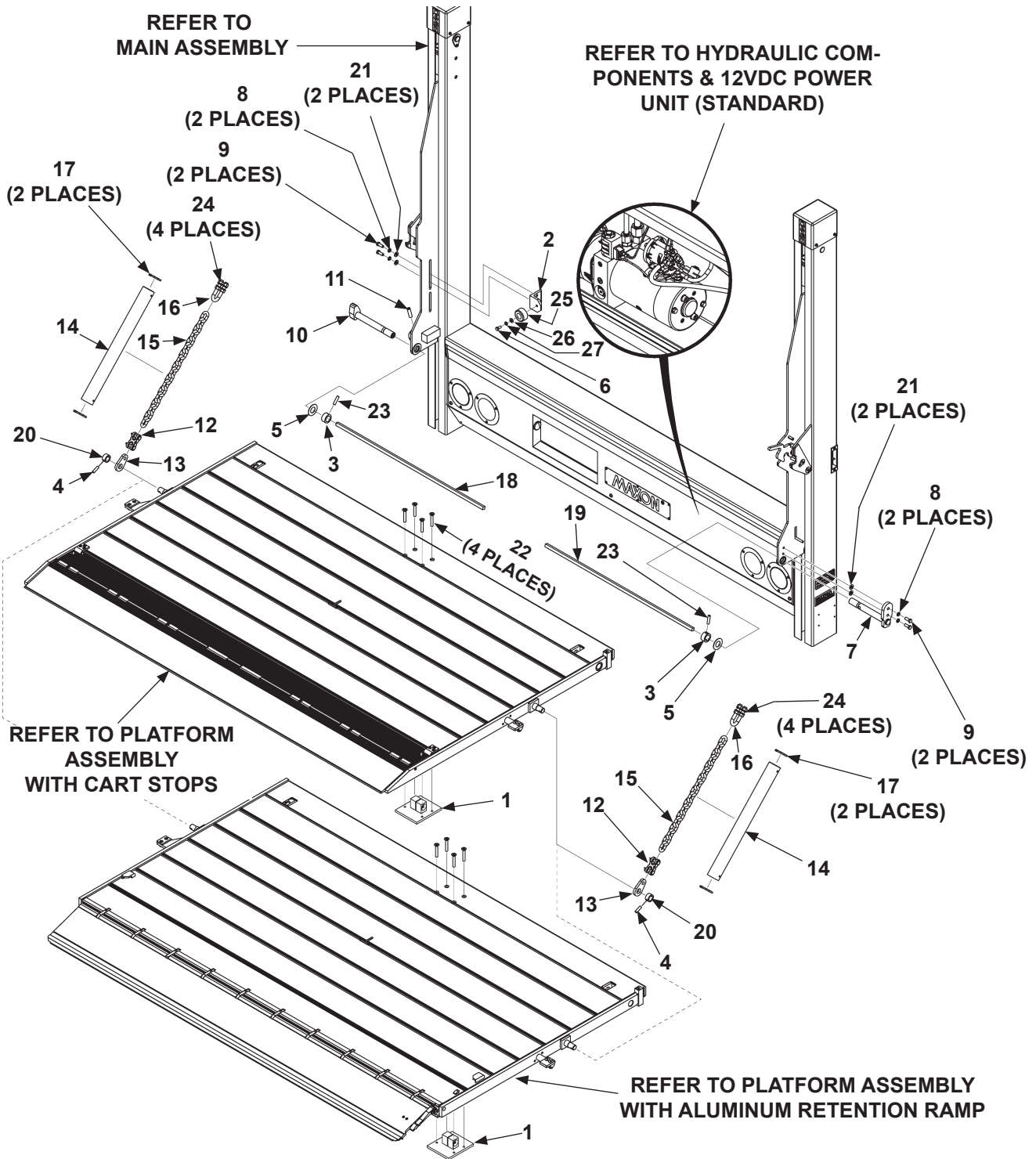
ITEM	QTY.	DESCRIPTION	PART NO.		
			36" DEEP PLATFORM	42" DEEP PLATFORM	48" DEEP PLATFORM
1	2	CHAIN (1/4") X 21-5/8" LG.	253606-21		
2	1	ANCHOR STOP WELDMENT, RH	285252-01		
3	2	PIN COLLAR	253630		
4	2	ROLL PIN, 3/8" X 1-1/2" LG.	904723-04		
5	2	FIBERGLIDE THRUST BEARING, 1" I.D.	908078-01		
6	1	LOCK WASHER, 9/16" O.D. X 5/16" I.D	902019-4		
7	1	PIN, PLATFORM AND RUNNER, RH, 6-7/16" LG.	284070-02		
8	4	NORD-LOCK WASHER, 3/8"	903448-02		
9	4	HEX CAP SCREW, 3/8"-16 X 1" LG.	900764-06		
10	1	TORSION BAR PIN WELDMENT	285992-01		
11	1	HEX SET SCREW, 1/2"-20 X 2" LG.	901209-09		
12	2	CHAIN SHACKLE	288728-01		
13	2	CHAIN HOLDER BRACKET	285990-04		
14	2	PROTECTIVE CHAIN SLEEVE, 21" LG.	261609-16		
15	2	U-BOLT, 1/2" O.D.	288727-01		
16	4	PLASTIC TIE, 7" LG.	205780		
17	1	TORSION BAR	263041-08		
18	2	CHAIN HOLDER BRACKET SPACER	283537-01		
19	4	FLAT WASHER, 3/8" X 1/32" THICK	903447-01		
20	2	ROLL PIN, 3/8" X 1-1/4" LG.	904723-03		
21	8	LOCK WASHER, 7/8" O.D. X 1/2" I.D.	902019-7		
22	1	FENDER WASHER, 5/16" X 3/4" O.D.	903409-02		
23	1	RUBBER BUMPER, 2" X 1"	253516		
24	1	HEX BOLT, 5/16"-18 X 3/4" LG.	901602-04		
25	1	BUMPER BRACKET	286768-01		

PARTS BREAKDOWN

FINAL ASSEMBLY (1-PIECE PLATFORM WITH CART STOPS OR ALUMINUM RETENTION RAMP, DUAL TORSION BAR)

⚠ CAUTION

MAXON recommends replacing LH & RH platform support chains as a set. Possible harm to users or bystanders and/or equipment damage could result if chains are only replaced one at a time.



ITEM	QTY.	DESCRIPTION	PART NO.	
			90" WIDE PLATFORM	96" WIDE PLATFORM
1	1	TORSION BAR HOUSING WELDMENT	285799-01	
2	1	BUMPER BRACKET	286768-01	
3	2	PIN COLLAR	253630	
4	2	ROLL PIN, 3/8" X 1-1/2" LG.	904723-04	
5	2	FIBERGLIDE THRUST BEARING, 1" I.D.	908078-01	
6	1	HEX BOLT, 5/16"-18 X 3/4" LG.	901602-04	
7	1	PIN, PLATFORM AND RUNNER, RH	284070-04	284070-03
8	4	NORD-LOCK WASHER, 3/8"	903448-02	
9	4	HEX CAP SCREW, 3/8"-16 X 1" LG.	900764-06	
10	1	TORSION BAR PIN WELDMENT 40°	285992-04	
11	1	HEX SET SCREW, 1/2"-20 X 2" LG.	901209-09	
12	2	CHAIN SHACKLE	288728-01	
13	2	CHAIN HOLDER BRACKET	285990-01	
14	2	PROTECTIVE CHAIN SLEEVE, 21" LG.	261609-16	
15	2	CHAIN (1/4") X 20" LG.	283209-02	
16	2	U-BOLT, 3/8"-16 X 3-3/8" LG.	283721-01	
17	4	PLASTIC TIE, 7" LG.	205780	
18	1	TORSION BAR, LH	263041-11	263041-12
19	1	TORSION BAR, RH	263041-11	263041-16
20	2	CHAIN HOLDER BRACKET SPACER	283537-01	
21	4	FLAT WASHER, 3/8" x 1/32" THICK	903447-01	
22	4	FLAT HEAD SOCKET SCREW, 3/8"-16 X 2-1/2" LG.	900061-10	
23	2	ROLL PIN, 3/8" X 1-1/4" LG.	904723-03	
24	8	LOCK WASHER, 3/8"	902019-5	
25	1	RUBBER BUMPER, 2" X 1"	253516	
26	1	FENDER WASHER, 5/16" X 3/4" O.D.	903409-02	
27	1	LOCK WASHER, 9/16" O.D. X 5/16" I.D	902019-4	

MAXON® 11921 Slauson Ave. Santa Fe Springs, CA. 90670 (800) 227-4116 FAX (888) 771-7713

MAXON[®]

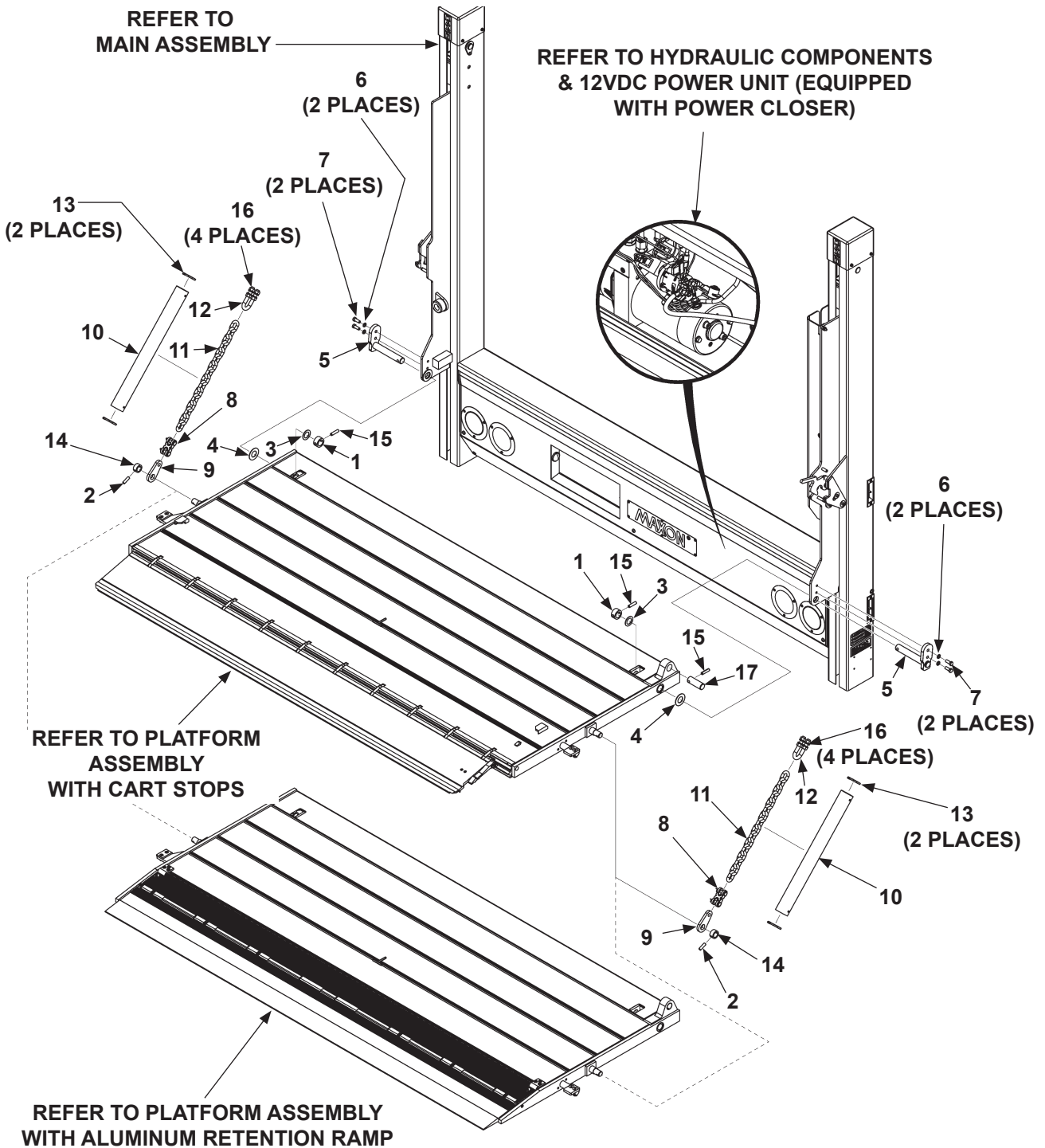
11921 Slauson Ave. Santa Fe Springs, CA. 90670 (800) 227-4116 FAX (888) 771-7713

PARTS BREAKDOWN

FINAL ASSEMBLY (1-PIECE PLATFORM WITH CART STOPS OR ALUMINUM RETENTION RAMP, EQUIPPED WITH POWER CLOSER)

⚠ CAUTION

MAXON recommends replacing LH & RH platform support chains as a set. Possible harm to users or bystanders and/or equipment damage could result if chains are only replaced one at a time.



ITEM	QTY.	DESCRIPTION	PART NO.	
			90" WIDE PLATFORM	96" WIDE PLATFORM
1	2	PIN COLLAR	253630	
2	2	ROLL PIN, 3/8" X 1-1/4" LG.	904723-03	
3	2	FLAT WASHER, 1", 3/32" THICK	902000-25	
4	2	FIBERGLIDE THRUST BEARING, 1" I.D.	908078-01	
5	2	PIN, PLATFORM AND RUNNER, RH	284070-02	
6	4	NORD-LOCK WASHER, 3/8"	903448-02	
7	4	HEX CAP SCREW, 3/8"-16 X 1" LG.	900764-06	
8	2	CHAIN SHACKLE	288728-01	
9	2	CHAIN HOLDER BRACKET	285990-01	
10	2	PROTECTIVE CHAIN SLEEVE, 21" LG.	261609-15	
11	2	CHAIN, 33-1/2" LG.	253606-31	
12	2	U-BOLT, 1/2" O.D.	288727-01	
13	4	PLASTIC TIE, 7" LG.	205780	
14	2	CHAIN HOLDER BRACKET SPACER	283537-01	
15	3	ROLL PIN, 3/8" X 1-1/2" LG.	904723-04	
16	8	LOCK WASHER, 7/8" O.D. X 1/2" I.D.	902019-7	
17	1	PIN, 1" DIA. X 2-7/8" LG.	283204-04	

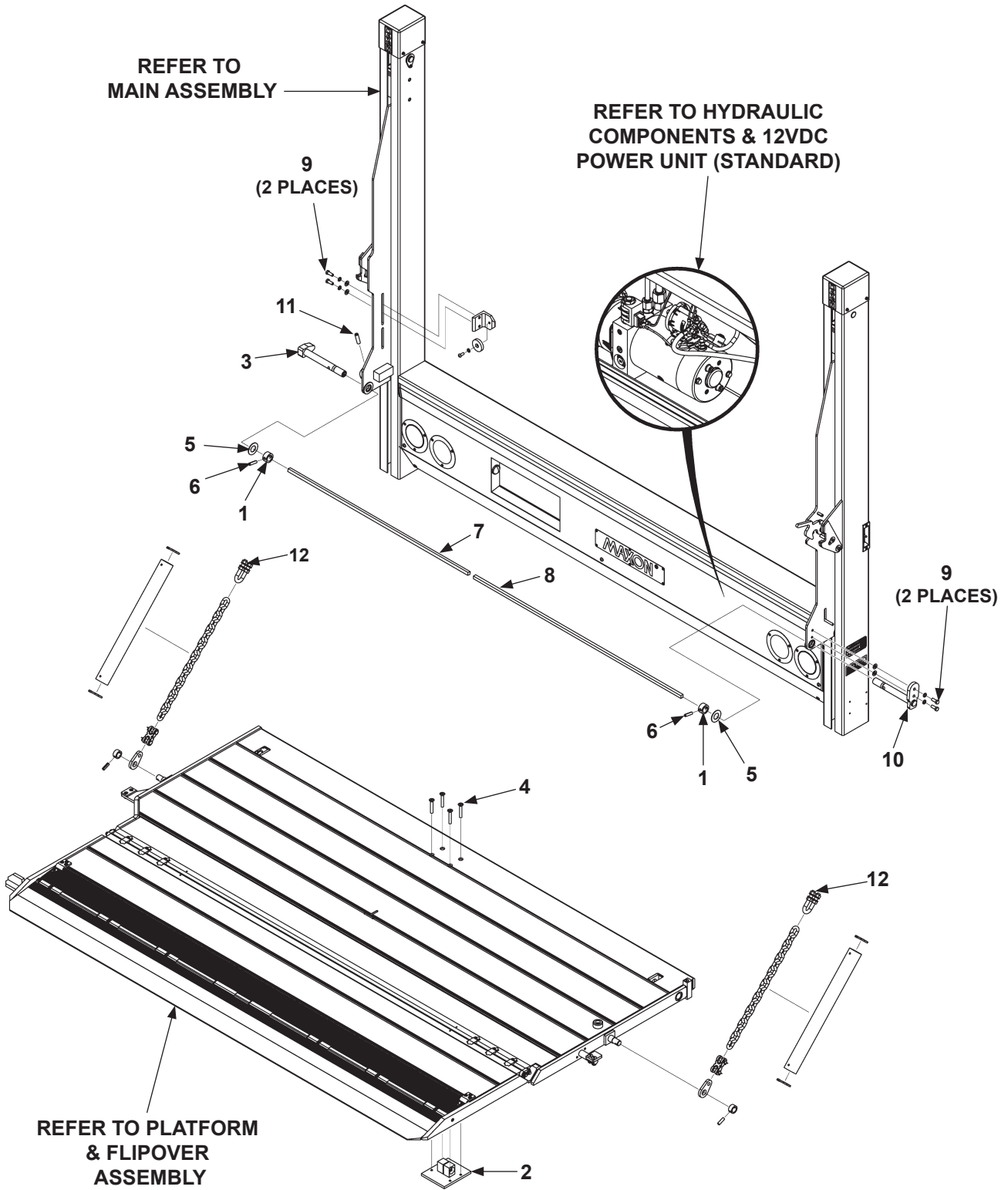
MAXON[®] 11921 Slauson Ave. Santa Fe Springs, CA. 90670 (800) 227-4116 FAX (888) 771-7713

MAXON[®]

11921 Slauson Ave. Santa Fe Springs, CA. 90670 (800) 227-4116 FAX (888) 771-7713

PARTS BREAKDOWN

FINAL ASSEMBLY (2-PIECE PLATFORM)



ITEM	QTY.	DESCRIPTION	PART NO.			
			48" DEEP*	54" DEEP*	60" DEEP*	72" DEEP*
1	2	PIN COLLAR	253630			
2	1	TORSION BAR HOUSING WELDMENT	285799-01			
3	1	TORSION BAR PIN WELDMENT 40°	285992-04			
4	4	FLAT HEAD SCREW, 3/8"-16 X 2-1/2" LG.	900061-10			
5	2	FIBERGLIDE THRUST BEARING, 1" I.D.	908078-01			
6	2	ROLL PIN, 3/8" X 1-1/2" LG.	904723-04			
7	1	TORSION BAR, LH (86" WIDE PLATFORM ASSEMBLY)	263041-12	263041-11	263041-11	263041-13
		TORSION BAR, LH (92" WIDE PLATFORM ASSEMBLY)	263041-12	263041-11	263041-12	263041-12
8	1	TORSION BAR, RH (86" WIDE PLATFORM ASSEMBLY)	263041-15	263041-11	263041-11	263041-14
		TORSION BAR, RH (92" WIDE PLATFORM ASSEMBLY)	263041-16	263041-17	263041-16	263041-17
9	4	HEX CAP SCREW, 3/8"-16 X 1"	900764-06			
10	1	PIN, PLATFORM AND RUNNER, RH (80" WIDE PLATFORM ASSEMBLY)	284070-03			
		PIN, PLATFORM AND RUNNER, RH (86" WIDE PLATFORM ASSEMBLY)	284070-03			
		PIN, PLATFORM AND RUNNER, RH (92" WIDE PLATFORM ASSEMBLY)	284070-03	284070-03	284070-03	284070-04
11	1	HEX SET SCREW, 1/2"-20 X 2" LG.	901209-09			
12	2	U-BOLT, 3/8"-16 X 3-3/8" LG.	288727-01			

* PLATFORM + FLIPOVER DEPTH

MAXON[®]

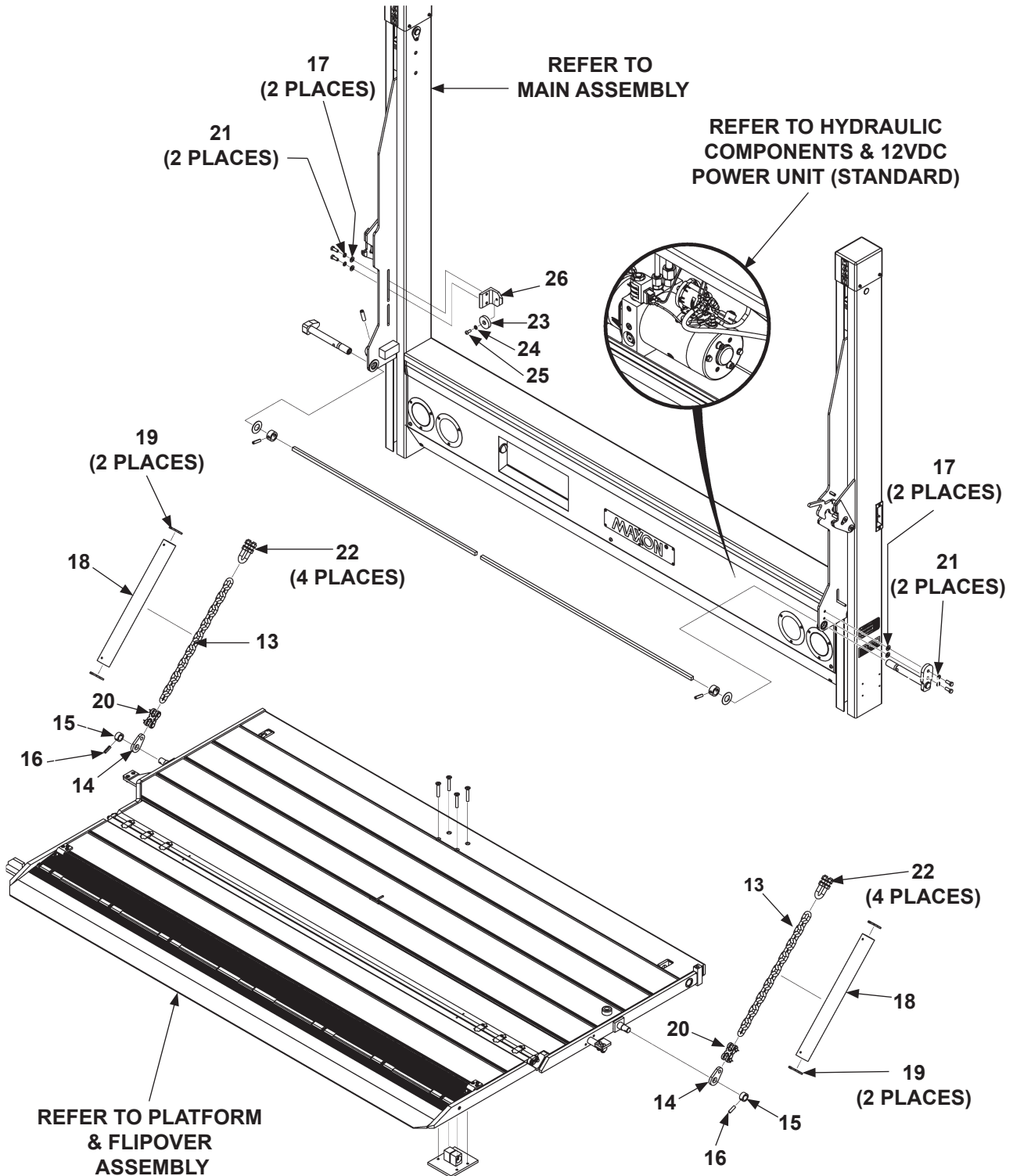
11921 Slauson Ave. Santa Fe Springs, CA. 90670 (800) 227-4116 FAX (888) 771-7713

PARTS BREAKDOWN

FINAL ASSEMBLY (2-PIECE PLATFORM) - Continued

⚠ CAUTION

MAXON recommends replacing LH & RH platform support chains as a set. Possible harm to users or bystanders and/or equipment damage could result if chains are only replaced one at a time.

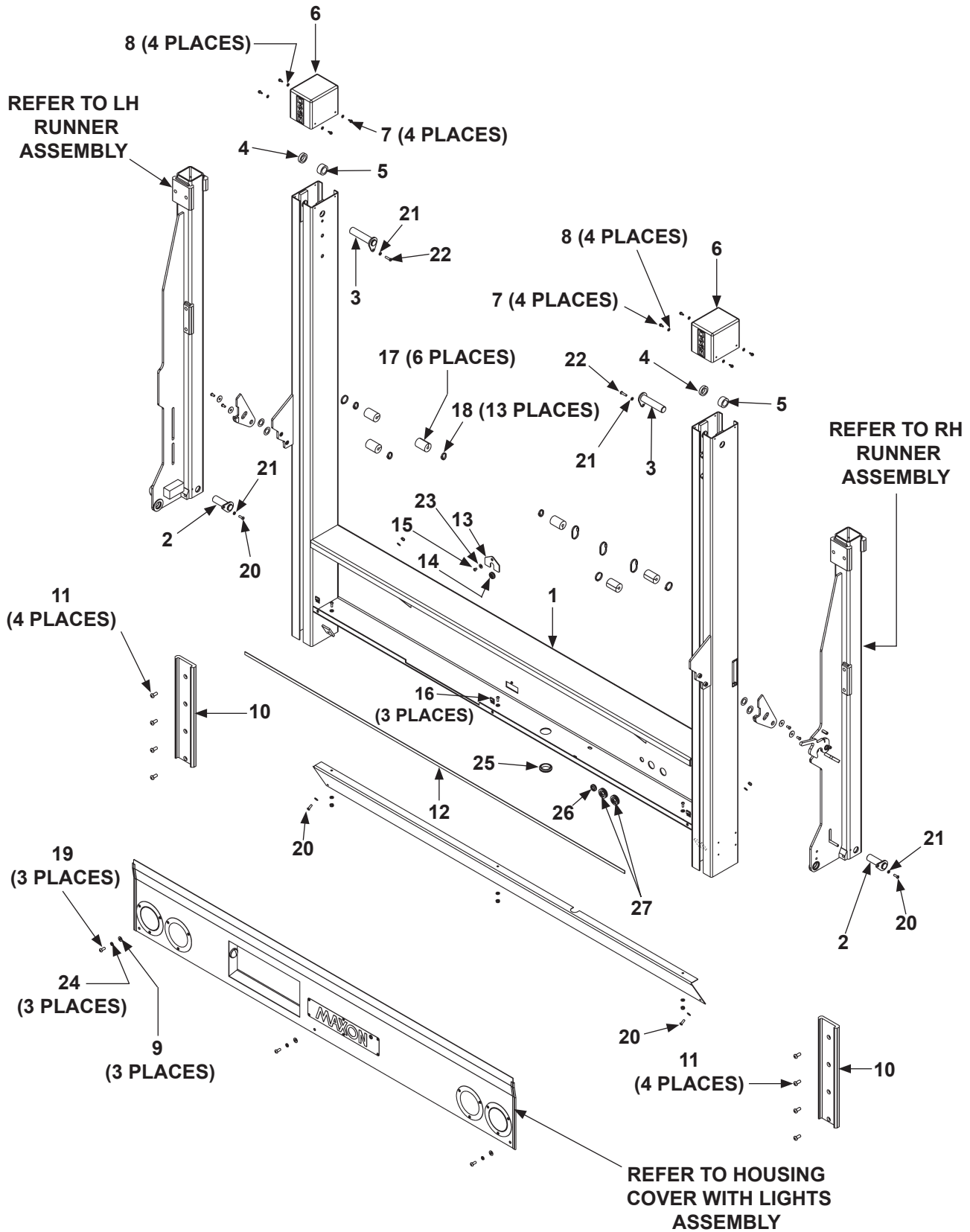


ITEM	QTY.	DESCRIPTION	PART NO.			
			48" DEEP*	54" DEEP*	60" DEEP*	72" DEEP*
13	2	CHAIN, 1/4" X 33-9/16" LG.	253606-31			
		CHAIN, 1/4" X 21-5/8" LG.	253606-21			
14	2	CHAIN HOLDER BRACKET	285990-04			
15	2	CHAIN HOLDER BRACKET SPACER	283537-01			
16	2	ROLL PIN, 3/8" X 1-1/2" LG.	904723-03			
17	4	FLAT WASHER, 3/8" X 1/32" THICK	903447-01			
18	2	PROTECTIVE CHAIN SLEEVE, 21" LG.	261609-16			
		PROTECTIVE CHAIN SLEEVE, 34" LG.	261609-15			
19	4	PLASTIC TIE, 7" LG.	205780			
20	2	CHAIN SHACKLE	288728-01			
21	4	NORD-LOCK WASHER, 3/8"	903448-02			
22	8	LOCK WASHER, 3/8"	902019-7			
23	1	RUBBER BUMPER, 2" O.D.	285409-02			
24	1	LOCK WASHER, 9/16" O.D. X 5/16" I.D.	902019-4			
25	1	HEX BOLT, 5/16"-18 X 3/4" LG.	900763-04			
26	1	BUMPER BRACKET	286768-01			

* PLATFORM + FLIPOVER DEPTH

PARTS BREAKDOWN MAIN ASSEMBLY

MAXON[®]
11921 Slauson Ave. Santa Fe Springs, CA. 90670 (800) 227-4116 FAX (888) 771-7713



ITEM	QTY.	PART NO.	DESCRIPTION
1	1	286425-05	MAIN FRAME WELDMENT, 96" LG.
		286425-06	MAIN FRAME WELDMENT, 102" LG.
2	2	285262-01	PIN WELDMENT, 1" DIA. X 3-3/8" LG.
3	2	285262-02	PIN WELDMENT, 1" DIA. X 4-3/4" LG.
4	2	283211-01	CYLINDER SPACER, 3/8" LG.
5	2	283211-02	CYLINDER SPACER, 3/4" LG.
6	2	285268-01	COLUMN COVER
7	8	900762-02	TAP SCREW, #10-24 X 1/2" F
8	8	903444-01	FLAT WASHER, #10
9	3	903409-02	FENDER WASHER, 5/16" I.D. X 3/4" O.D.
10	2	283194-01	WEAR PAD, 18-1/4" LG.
11	8	900769-04	BUTTON SCREW, SOCKET, 3/8"-16 X 7/8" LG.
12	1	283716-02	RUBBER SEALING STRIP, 80-1/4" LG.
		283716-03	RUBBER SEALING STRIP, 86-1/4" LG.
		283716-04	RUBBER SEALING STRIP, 92-1/4" LG.
13	1	286396-01	COVER PLATE
14	1	281068-02	MODIFIED GROMMET
15	1	900719-01	BUTTON SCREW, 1/4"-20 X 5/16" LG.
16	3	203877	J-NUT, 5/16"-18
17	6	283717-01	RUBBER TUBE ASSEMBLY, 3/8" X 2" LG.
18	13	205780	PLASTIC TIE, 7" LG.
19	3	900763-04	BUTTON SCREW, 8-32 X 3/4" LG.
20	4	900719-05	BUTTON SCREW, 1/4"-20 X 3/4" LG.
21	4	903448-01	NORD-LOCK WASHER, 1/4"/M6
22	2	900719-07	BUTTON SCREW, 1/4"-20 X 1" LG.
23	1	903409-01	FENDER WASHER, 9/32" I.D., 5/8" O.D.
24	3	902019-4	LOCK WASHER, 5/16"
25	1	269354	GROMMET, 1-3/8" I.D.
26	1	908028-01	GROMMET, PVC, 3/4" I.D. X 1/8"
27	2	266428-06	GROMMET, 1" I.D., 9/16" HOLE

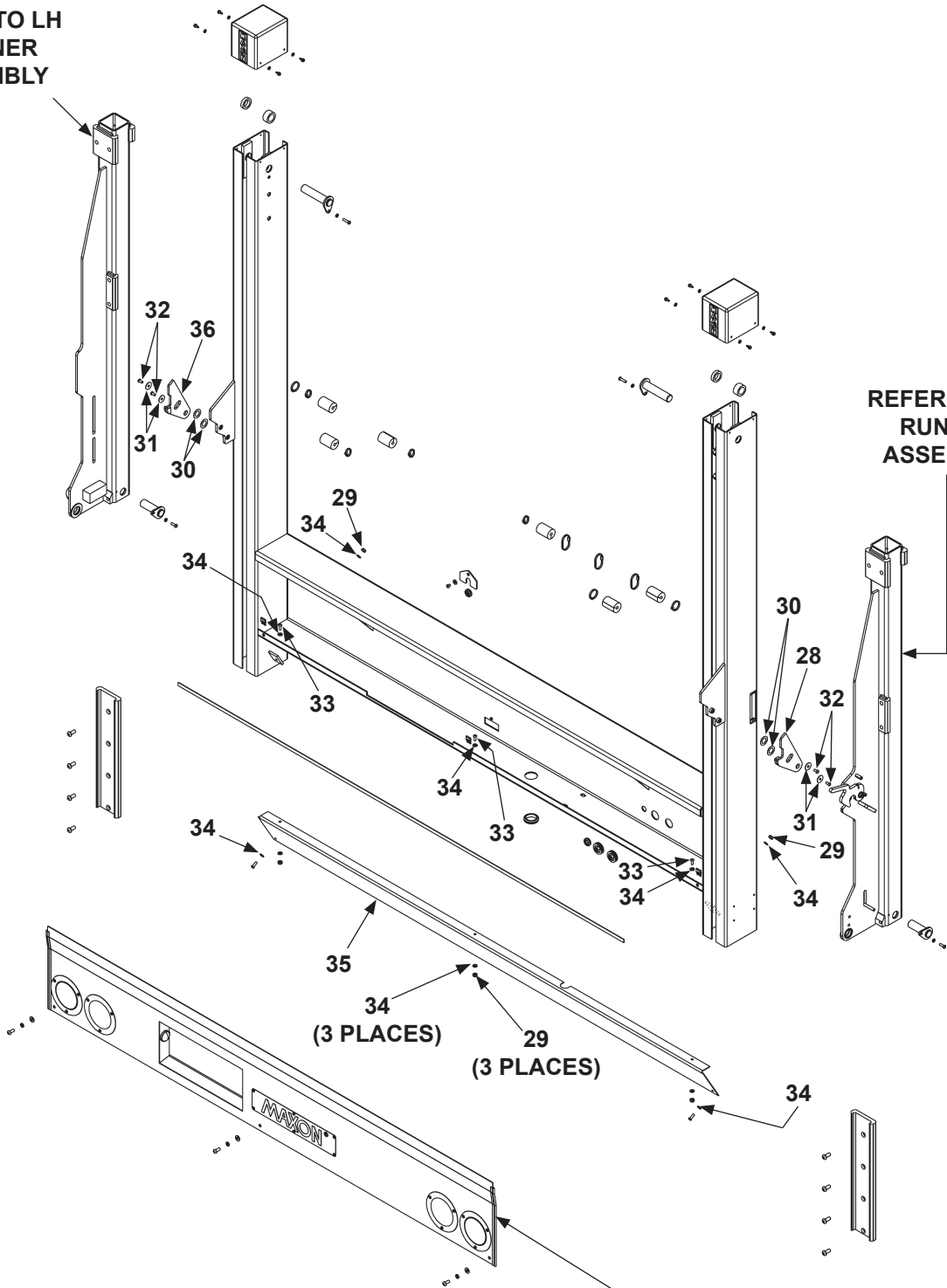
MAXON[®] 11921 Slauson Ave. Santa Fe Springs, CA. 90670 (800) 227-4116 FAX (888) 771-7713

PARTS BREAKDOWN MAIN ASSEMBLY - Continued

MAXON®
11921 Slauson Ave. Santa Fe Springs, CA. 90670 (800) 227-4116 FAX (888) 771-7713

REFER TO LH
RUNNER
ASSEMBLY

REFER TO RH
RUNNER
ASSEMBLY



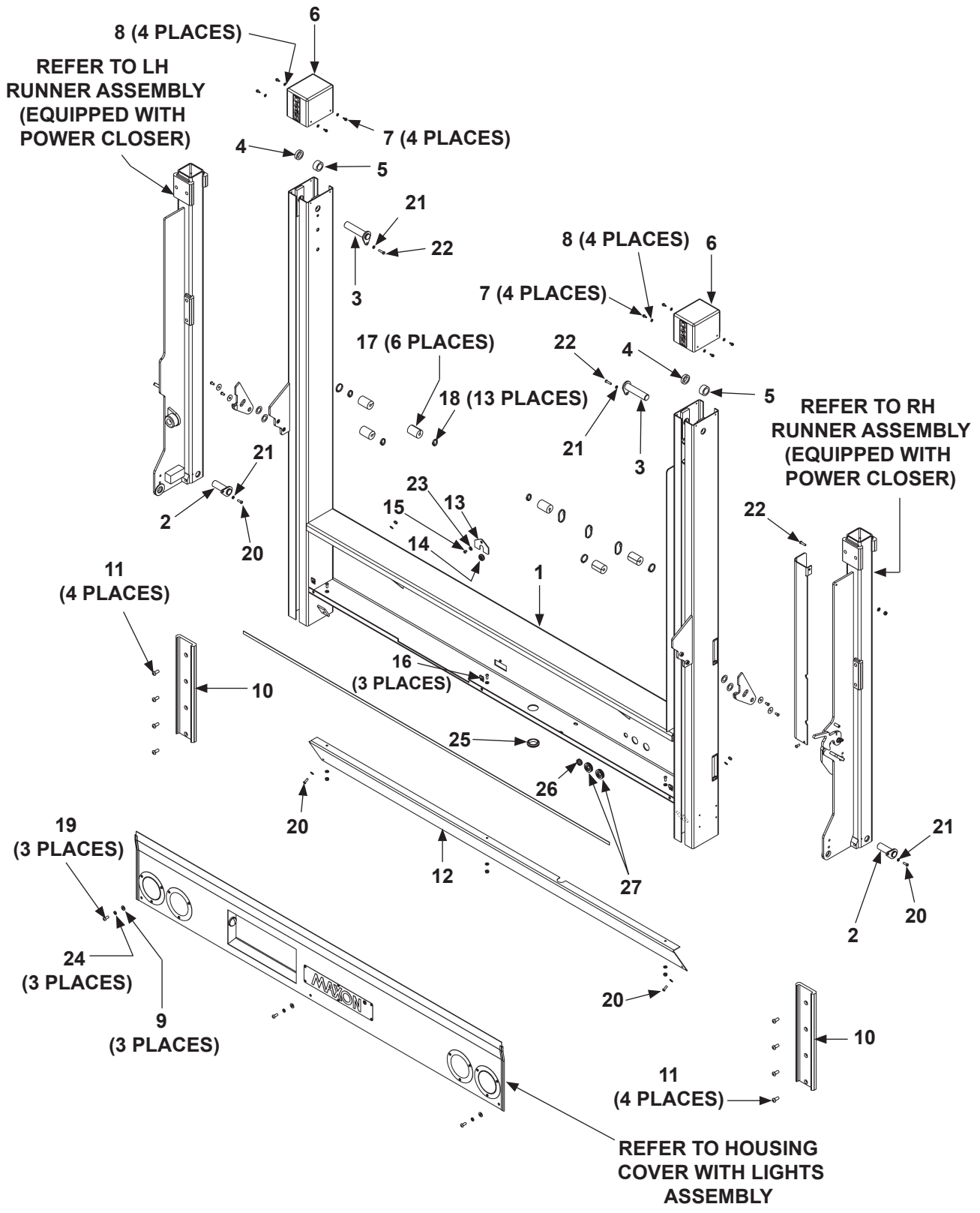
REFER TO HOUSING
COVER WITH LIGHTS
ASSEMBLY

ITEM	QTY.	PART NO.	DESCRIPTION
28	1	287846-02	TRANSIT HOOK WELDMENT, RH
29	5	903132-01	LOCK NUT, 1/4"-20, THIN, NYLON
30	4	261685	WASHER, 1-1/4" X 3/4"
31	4	903409-06	FENDER WASHER, 5/16" I.D. X 1" O.D.
32	4	900719-03	BUTTON SCREW, 1/4"-20 X 1/2" LG.
33	3	900719-04	BUTTON SCREW, 1/4"-20 X 5/8" LG.
34	10	903412-01	FLAT WASHER, 1/4"
35	1	286671-03	TOE GUARD, 92-1/8" LG.
		286671-02	TOE GUARD, 86-1/8" LG.
36	1	287846-01	TRANSIT HOOK WELDMENT, LH

MAXON[®] 11921 Slauson Ave. Santa Fe Springs, CA. 90670 (800) 227-4116 FAX (888) 771-7713

PARTS BREAKDOWN MAIN ASSEMBLY (EQUIPPED WITH POWER CLOSER)

MAXON®
11921 Slauson Ave. Santa Fe Springs, CA. 90670 (800) 227-4116 FAX (888) 771-7713



ITEM	QTY.	PART NO.	DESCRIPTION
1	1	286425-05	MAIN FRAME WELDMENT, 96" LG.
		286425-06	MAIN FRAME WELDMENT, 102" LG.
2	2	285262-01	PIN WELDMENT, 1" DIA. X 3-3/8" LG.
3	2	285262-02	PIN WELDMENT, 1" DIA. X 4-3/4" LG.
4	2	283211-01	CYLINDER SPACER, 3/8" LG.
5	2	283211-02	CYLINDER SPACER, 3/4" LG.
6	2	285268-01	COLUMN COVER
7	8	900762-02	TAP SCREW, #10-24 X 1/2" F
8	8	903444-01	FLAT WASHER, #10
9	3	903409-02	FENDER WASHER, 5/16" I.D. X 3/4" O.D.
10	2	283194-01	WEAR PAD, 18-1/4" LG.
11	8	900769-04	BUTTON SCREW, SOCKET, 3/8"-16 X 7/8" LG.
12	1	283716-03	RUBBER SEALING STRIP, 86-1/4" LG.
		283716-04	RUBBER SEALING STRIP, 92-1/4" LG.
13	1	286396-01	COVER PLATE
14	1	281068-02	MODIFIED GROMMET
15	1	900719-01	BUTTON SCREW, 1/4"-20 X 5/16" LG.
16	3	203877	J-NUT, 5/16"-18
17	4	283717-01	RUBBER TUBE ASSEMBLY, 3/8" X 2" LG.
18	13	205780	PLASTIC TIE, 7" LG.
19	3	900763-04	BUTTON SCREW, 8-32 X 3/4" LG.
20	5	900719-05	BUTTON SCREW, 1/4"-20 X 3/4" LG.
21	4	903448-01	NORD-LOCK WASHER, 1/4"/M6
22	3	900719-07	BUTTON SCREW, 1/4"-20 X 1" LG.
23	1	903409-01	FENDER WASHER, 9/32" I.D., 5/8" O.D.
24	3	902019-4	LOCK WASHER, 5/16"
25	1	269354	GROMMET, 1-3/8" I.D.
26	1	908028-01	GROMMET, PVC, 3/4" I.D. X 1/8"
27	2	266428-06	GROMMET, 1" I.D., 9/16" HOLE

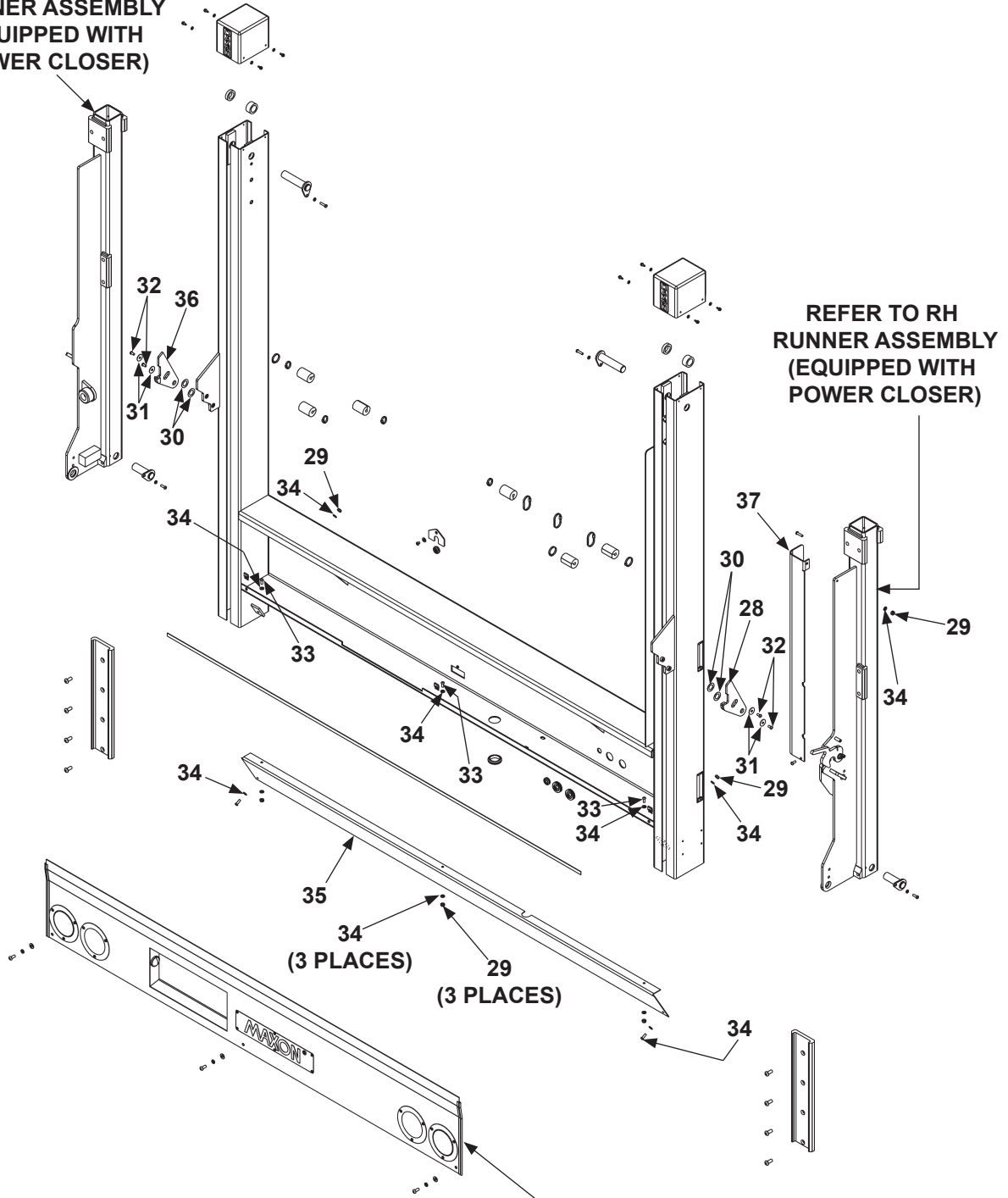
MAXON[®]

11921 Slauson Ave. Santa Fe Springs, CA. 90670 (800) 227-4116 FAX (888) 771-7713

PARTS BREAKDOWN

MAIN ASSEMBLY (EQUIPPED WITH POWER CLOSER) - Continued

REFER TO LH
RUNNER ASSEMBLY
(EQUIPPED WITH
POWER CLOSER)

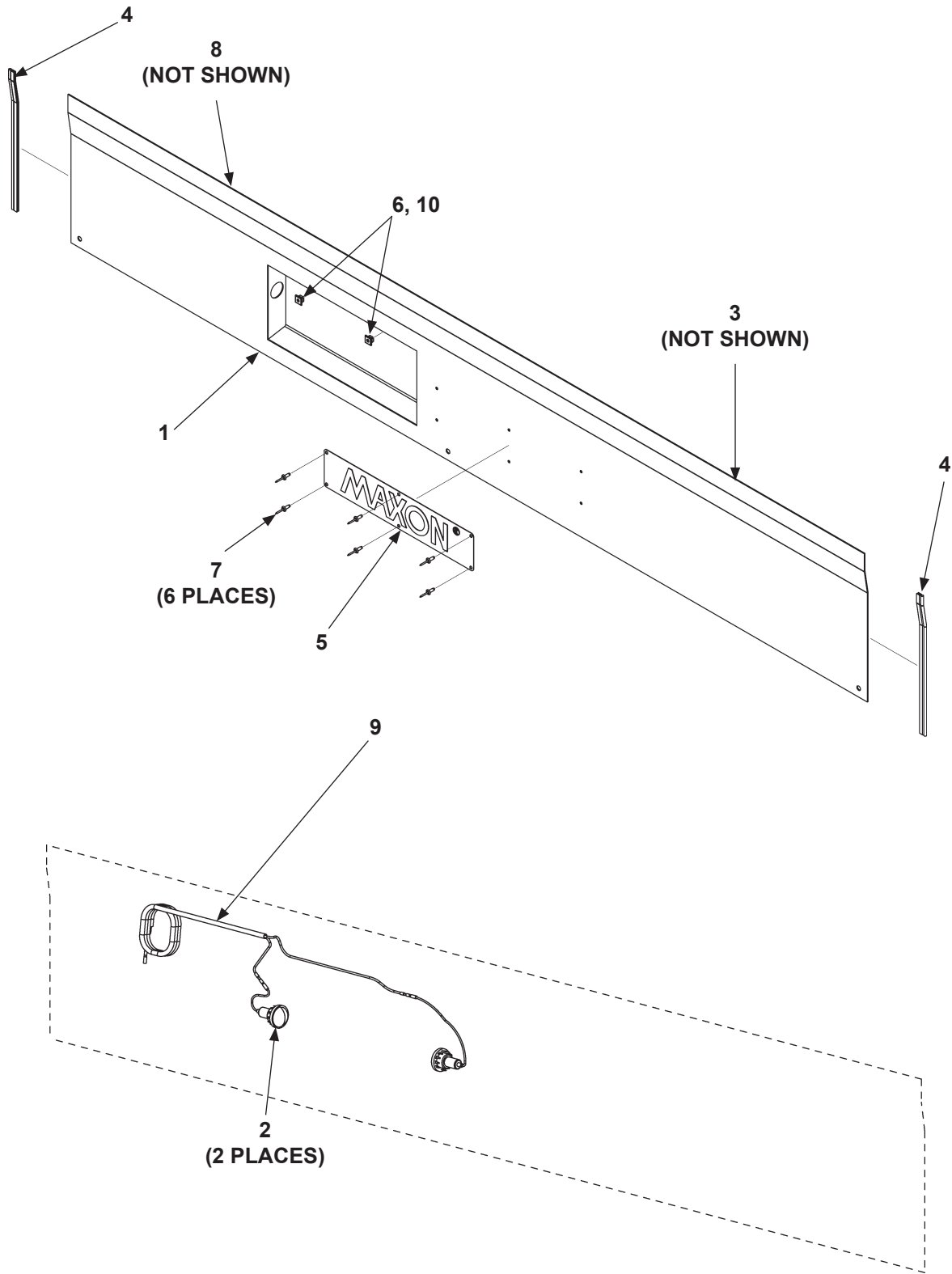


REFER TO HOUSING
COVER WITH LIGHTS
ASSEMBLY

ITEM	QTY.	PART NO.	DESCRIPTION
28	1	287846-02	TRANSIT HOOK WELDMENT, RH
29	6	903132-01	LOCK NUT, 1/4"-20, THIN, NYLON
30	4	261685	WASHER, 1-1/4" X 3/4"
31	4	903409-06	FENDER WASHER, 5/16" I.D. X 1" O.D.
32	4	900719-03	BUTTON SCREW, 1/4"-20 X 1/2" LG.
33	3	900719-04	BUTTON SCREW, 1/4"-20 X 5/8" LG.
34	12	903412-01	FLAT WASHER, 1/4"
35	1	286671-03	TOE GUARD, 92-1/8" LG.
		286671-02	TOE GUARD, 86-1/8" LG.
36	1	287846-01	TRANSIT HOOK WELDMENT, LH
37	1	283187-01	RUNNER, HOSE GUIDE

PARTS BREAKDOWN

HOUSING COVER ASSEMBLY (WITHOUT LIGHTS)



MAXON[®]

11921 Slauson Ave. Santa Fe Springs, CA. 90670 (800) 227-4116 FAX (888) 771-7713

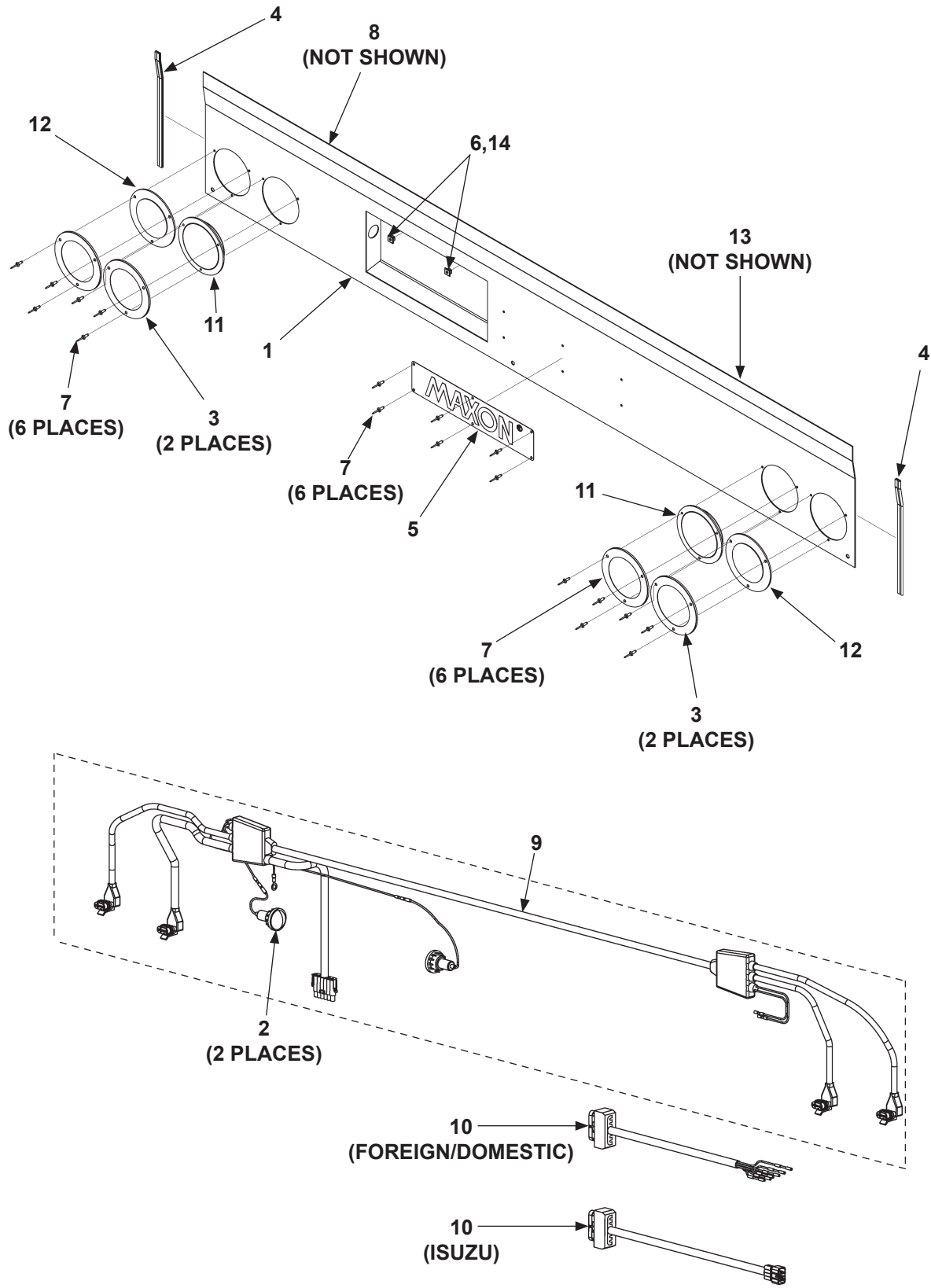
ITEM	QTY.	PART NO.	DESCRIPTION
REF	1	286386-02	COVER ASSEMBLY, W/O LIGHTS, 86" LG.
		286386-03	COVER ASSEMBLY, W/O LIGHTS, 92" LG.
1	1	286385-02	COVER WELDMENT, W/O LIGHTS, 86" LG.
		286385-03	COVER WELDMENT, W/O LIGHTS, 92" LG.
2	2	267387-01	LICENSE PLATE LIGHT ASSEMBLY
3	1	903137-01	NYLON NUT INSERT STOP
4	2	284284-02	COVER SEAL, 12" LG.
5	1	050175	MAXON PLATE
6	2	901015-03	NYLON NUT (SQUARE HEAD) GROMMET, 1/4"
7	6	207644	RIVET, 3/16" X 7/16"
8	3	205780	PLASTIC TIE, 7" LG.
9	1	285993-01	HARNESS ASSEMBLY, LICENSE PLATE, 48" LG.
10	2	030460	SCREW, 1/4" X 3/4"

MAXON[®]

11921 Slauson Ave. Santa Fe Springs, CA. 90670 (800) 227-4116 FAX (888) 771-7713

PARTS BREAKDOWN

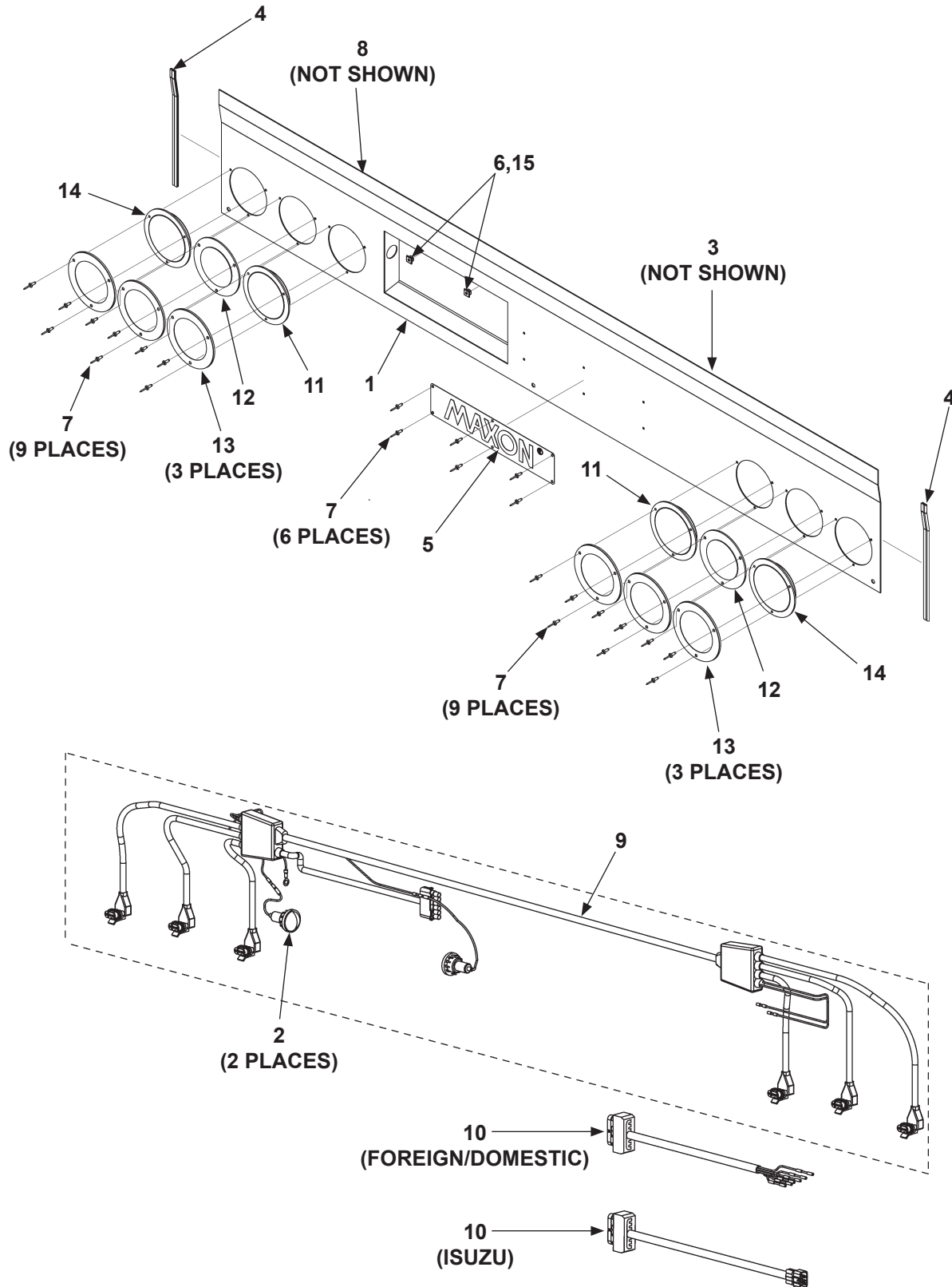
HOUSING COVER ASSEMBLY, FOREIGN & DOMESTIC (WITH FOUR LIGHTS)



ITEM	QTY.	PART NO.	DESCRIPTION
REF	1	286386-05	COVER ASSEMBLY, WITH 4 LIGHTS, (2 R, 2 W) 86" LG.
		286386-06	COVER ASSEMBLY, WITH 4 LIGHTS, (2 R, 2 W) 92" LG.
1	1	286385-05	COVER WELDMENT, WITH 4 LIGHTS, (2 R, 2 W) 86" LG.
		286385-06	COVER WELDMENT, WITH 4 LIGHTS, (2 R, 2 W) 92" LG.
2	2	267387-01	LICENSE PLATE LIGHT ASSEMBLY
3	4	908091-01	COVER, 4" ROUND LIGHTS, 3-HOLE
4	2	284284-02	COVER SEAL, 12" LG.
5	1	050175	MAXON PLATE
6	2	901015-03	NYLON NUT (SQUARE HEAD) GROMMET, 1/4"
7	18	207644	RIVET, 3/16" X 3/8"
8	8	205780	PLASTIC TIE, 7" LG.
9	1	288426-01	HARNESS ASSEMBLY, 4 LIGHTS, FOREIGN/DOMESTIC
10	1	297491-01	JUMPER, FOREIGN/DOMESTIC
		297491-02	JUMPER, ISUZU
11	2	907154-01	BACKUP LED LIGHT MOD 44, TRUCK LIGHT
12	2	906507-01	LED LIGHT MOD 44, TRUCK LIGHT
13	1	903137-01	NYLON NUT INSERT STOP
14	2	030460	SCREW, 1/4" X 3/4"

PARTS BREAKDOWN

HOUSING COVER ASSEMBLY, FOREIGN (WITH 6 LIGHTS - RED/WHITE/YELLOW)



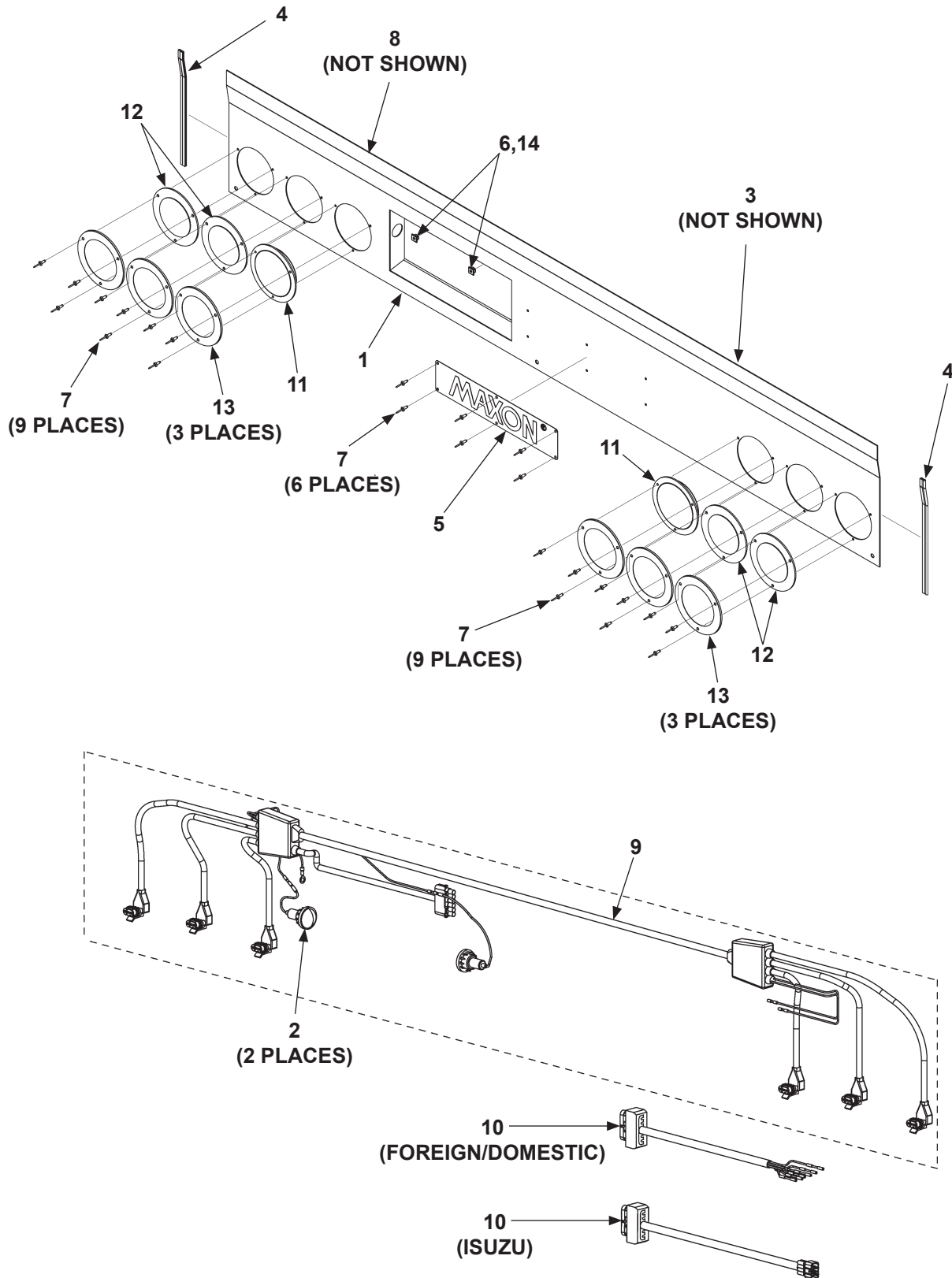
MAXON®

11921 Slauson Ave. Santa Fe Springs, CA. 90670 (800) 227-4116 FAX (888) 771-7713

ITEM	QTY.	PART NO.	DESCRIPTION
REF	1	286386-08	COVER ASSEMBLY, FOREIGN WITH 6 LIGHTS, 86" LG.
		286386-09	COVER ASSEMBLY, FOREIGN WITH 6 LIGHTS, 92" LG.
1	1	286385-08	COVER WELDMENT, FOREIGN WITH 6 LIGHTS, 86" LG.
		285985-09	COVER WELDMENT, FOREIGN WITH 6 LIGHTS, 92" LG.
2	2	267387-01	LICENSE PLATE LIGHT ASSEMBLY
3	1	903137-01	NYLON NUT INSERT STOP
4	2	284284-02	COVER SEAL, 12" LG.
5	1	050175	MAXON PLATE
6	2	901015-03	NYLON NUT (SQUARE HEAD) GROMMET, 1/4"
7	24	207644	RIVET, 3/16" X 3/8"
8	8	205780	PLASTIC TIE, 7" LG.
9	1	288427-01	HARNESS ASSEMBLY, 6 LIGHTS, (2Y, 2R, 2W)
10	1	297491-01	JUMPER, FOREIGN/DOMESTIC
		297491-02	JUMPER, ISUZU
11	2	907154-01	BACKUP LED LIGHT MOD 44, TRUCK LIGHT
12	2	906507-01	LED LIGHT MOD 44, TRUCK LIGHT
13	6	908091-01	COVER, 4" ROUND LIGHT, 3 HOLE
14	2	907132-01	LED LIGHT, 4", YELLOW, TRUCK LIGHT
15	2	030460	SCREW, 1/4" X 3/4"

PARTS BREAKDOWN

HOUSING COVER ASSEMBLY, FOREIGN (WITH 6 LIGHTS - 4 RED/2 WHITE)



MAXON®

11921 Slauson Ave. Santa Fe Springs, CA. 90670 (800) 227-4116 FAX (888) 771-7713

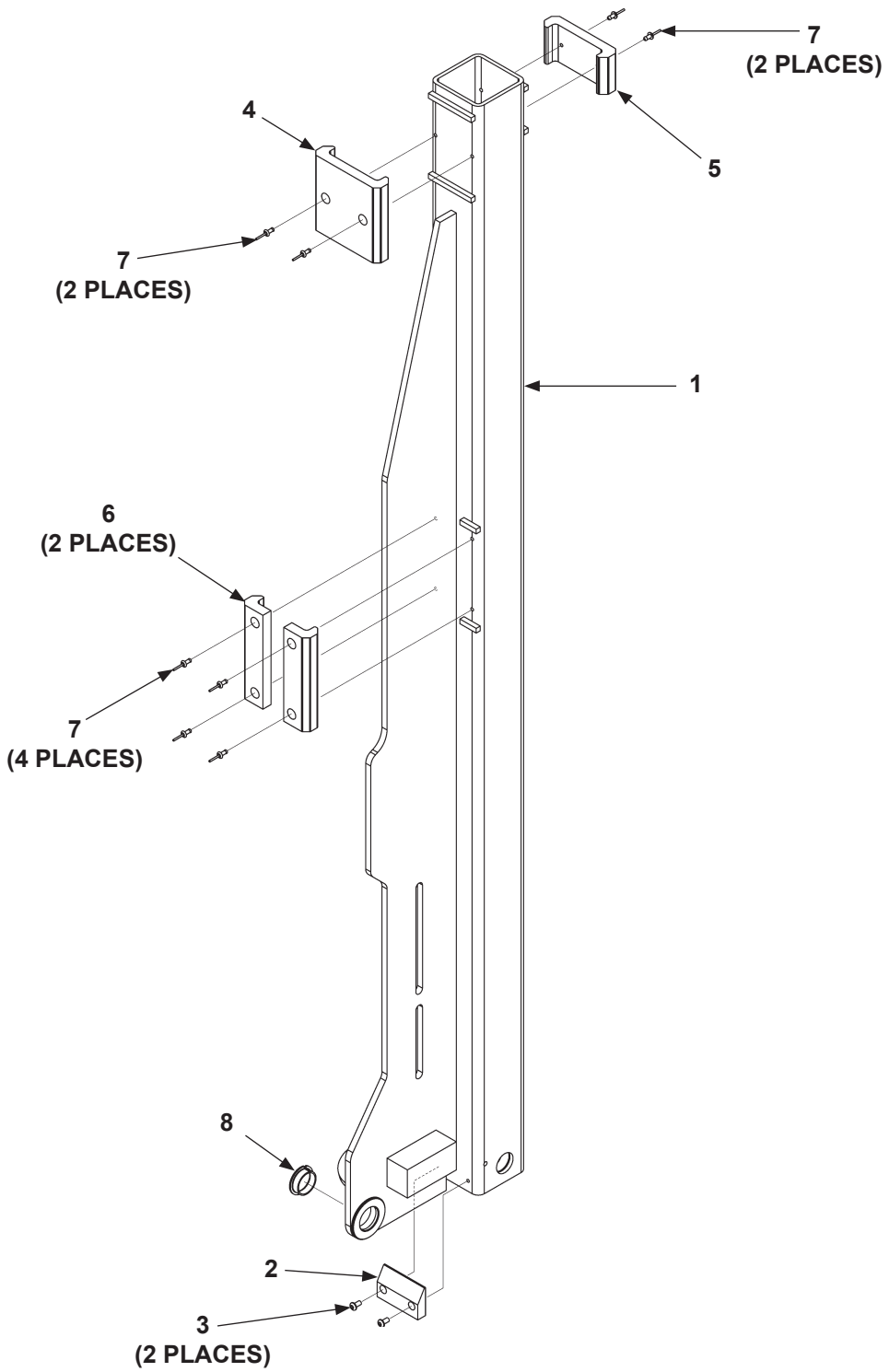
ITEM	QTY.	PART NO.	DESCRIPTION
REF	1	286386-11	COVER ASSEMBLY, FOREIGN WITH 6 LIGHTS, 86" LG.
		286386-12	COVER ASSEMBLY, FOREIGN WITH 6 LIGHTS, 92" LG.
1	1	286385-07	COVER WELDMENT, FOREIGN WITH 6 LIGHTS, 86" LG.
		286385-08	COVER WELDMENT, FOREIGN WITH 6 LIGHTS, 92" LG.
2	2	267387-01	LICENSE PLATE LIGHT ASSEMBLY
3	1	903137-01	NYLON NUT INSERT STOP
4	2	284284-02	COVER SEAL, 12" LG.
5	1	050175	MAXON PLATE
6	2	901015-03	NYLON NUT (SQUARE HEAD) GROMMET, 1/4"
7	24	207644	RIVET, 3/16" X 3/8"
8	8	205780	PLASTIC TIE, 7" LG.
9	1	288427-01	HARNESS ASSEMBLY, 6 LIGHTS, (4R, 2W), FOREIGN
10	1	297491-01	JUMPER, FOREIGN/DOMESTIC
		297491-02	JUMPER, ISUZU
11	2	907154-01	BACKUP LED LIGHT MOD 44, TRUCK LIGHT
12	4	906507-01	LED LIGHT, MOD 44, TRUCK-LITE
13	6	908091-01	COVER, 4" ROUND LIGHT, 3 HOLE
14	2	030460	SCREW, 1/4" X 3/4"

PARTS BREAKDOWN

LH RUNNER

MAXON[®]

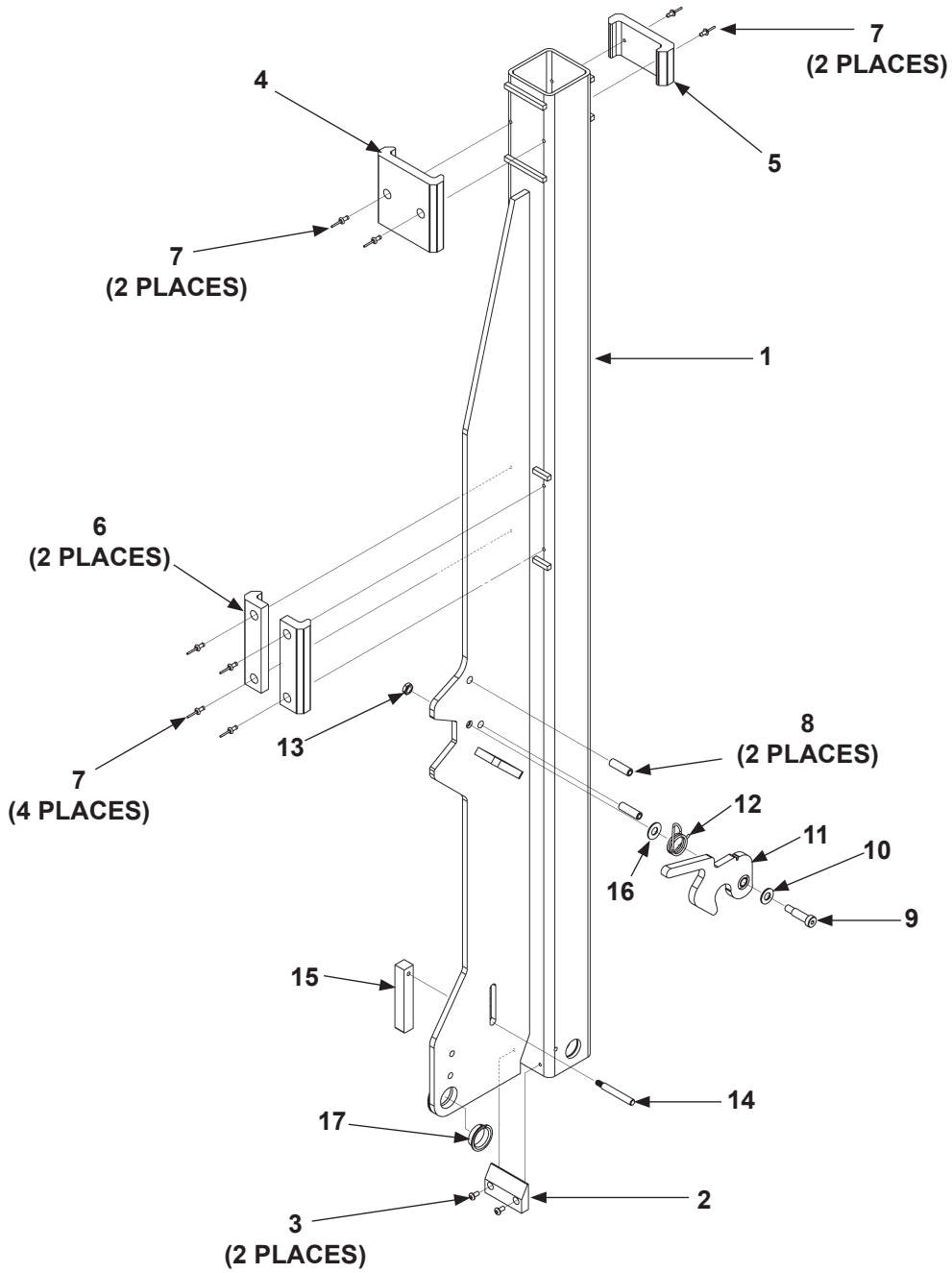
11921 Slauson Ave. Santa Fe Springs, CA. 90670 (800) 227-4116 FAX (888) 771-7713



ITEM	QTY.	PART NO.	DESCRIPTION
REF	1	285294-01	LH RUNNER ASSEMBLY
1	1	285293-01	LH RUNNER WELDMENT
2	1	284285-01	RUNNER BUMPER
3	2	900722-02	BUTTON SCREW, #10-24 X 3/8" LG.
4	1	283232-01	WEAR PAD, 4" LG., WITH CHAMFER
5	1	283232-03	WEAR PAD, 2" LG.
6	2	283233-01	WEAR PAD, 5" LG.
7	8	903706-04	RIVET, 5/32" DIA. X 17/32" LG.
8	1	265062	BEARING, SELF-LUBRICATING

PARTS BREAKDOWN

RH RUNNER



MAXON®

11921 Slauson Ave. Santa Fe Springs, CA. 90670 (800) 227-4116 FAX (888) 771-7713

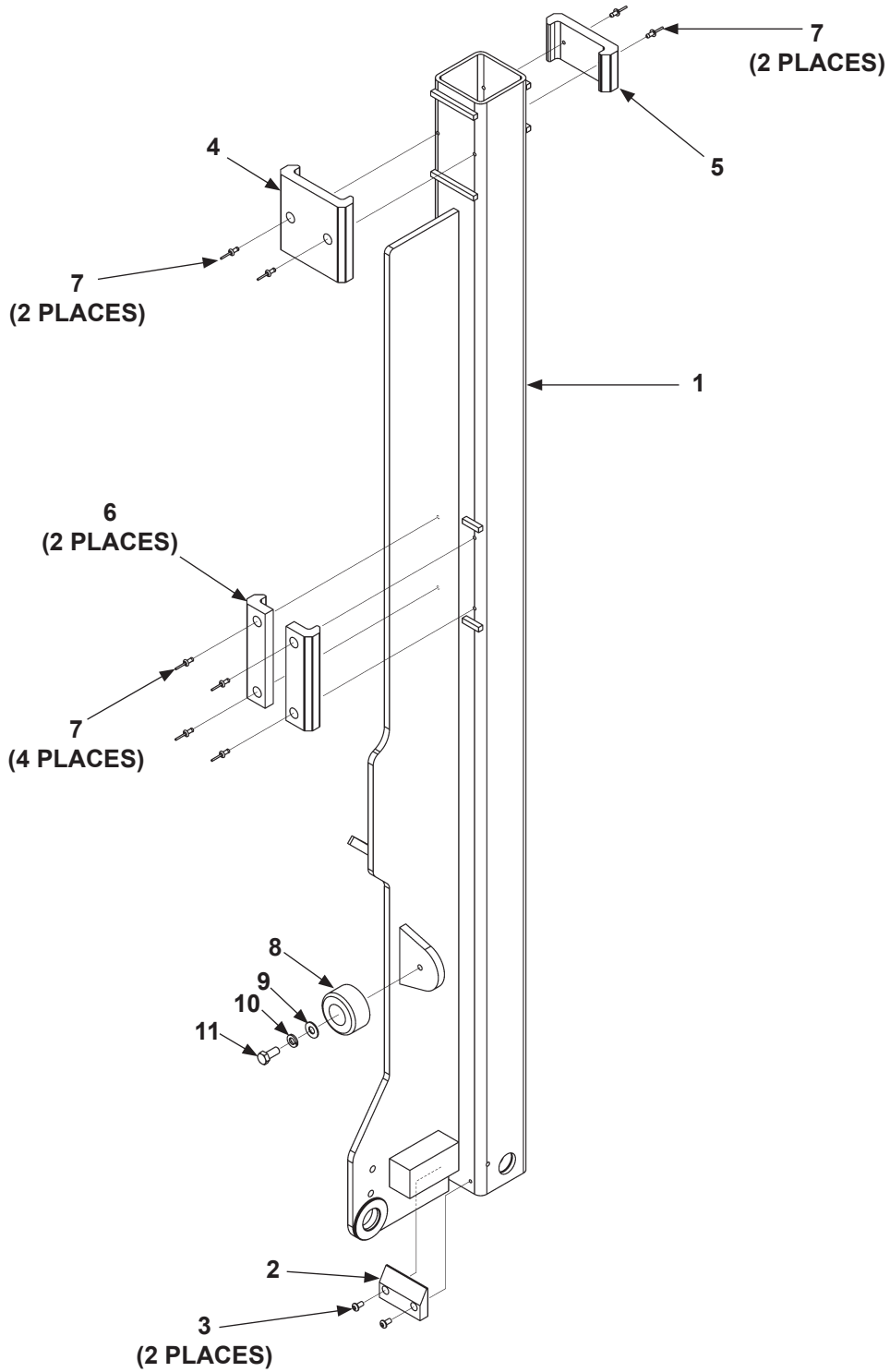
ITEM	QTY.	PART NO.	DESCRIPTION
REF	1	285294-02	RH RUNNER ASSEMBLY
1	1	285293-02	RH RUNNER WELDMENT
2	1	284285-01	RUNNER BUMPER
3	2	900722-02	BUTTON SCREW, #10-24 X 3/8" LG.
4	1	283232-01	WEAR PAD, 4" LG., WITH CHAMFER
5	1	283232-03	WEAR PAD, 2" LG.
6	2	283233-01	WEAR PAD, 5" LG.
7	8	903706-04	RIVET, 5/32" DIA. X 17/32" LG.
8	2	904723-03	ROLL PIN, 3/8" X 1-1/4" LG.
9	1	900723-06	SHOULDER SCREW, 3/8" X 1" LG.
10	1	903434-10	FLAT WASHER, M10
11	1	283195-01	UPPER LATCH WELDMENT
12	1	908200-01	TORSION SPRING, 90 DEGREES
13	1	903114-01	HEX NUT, 5/16"-18
14	1	283713-01	SPRING LEVER
15	1	285257-01	SQUARE BAR PLATFORM STOP
16	1	903409-03	WASHER, 13/32" - 7/8" O.D.
17	1	265062	BEARING, SELF-LUBRICATING

PARTS BREAKDOWN

LH RUNNER (EQUIPPED WITH POWER CLOSER)

MAXON[®]

11921 Slauson Ave. Santa Fe Springs, CA. 90670 (800) 227-4116 FAX (888) 771-7713



ITEM	QTY.	PART NO.	DESCRIPTION
REF	1	287245-03	LH RUNNER ASSEMBLY
1	1	287244-03	LH RUNNER WELDMENT
2	1	284285-01	RUNNER BUMPER
3	2	900722-02	BUTTON SCREW, #10-24 X 3/8" LG.
4	1	283232-01	WEAR PAD, 4" LG. WITH CHAMFER
5	1	283232-03	WEAR PAD, 2" LG.
6	2	283233-01	WEAR PAD, 5" LG.
7	8	903706-04	RIVET, 5/32" DIA. X 17/32" LG.
8	1	253516	RUBBER BUMPER, 2" X 1"
9	1	903409-02	FENDER WASHER, 5/16" X 3/4" O.D.
10	1	902019-4	LOCK WASHER, 9/16" O.D. X 5/16" I.D.
11	1	901602-04	HEX BOLT, 5/16"-18 X 3/4" LG.

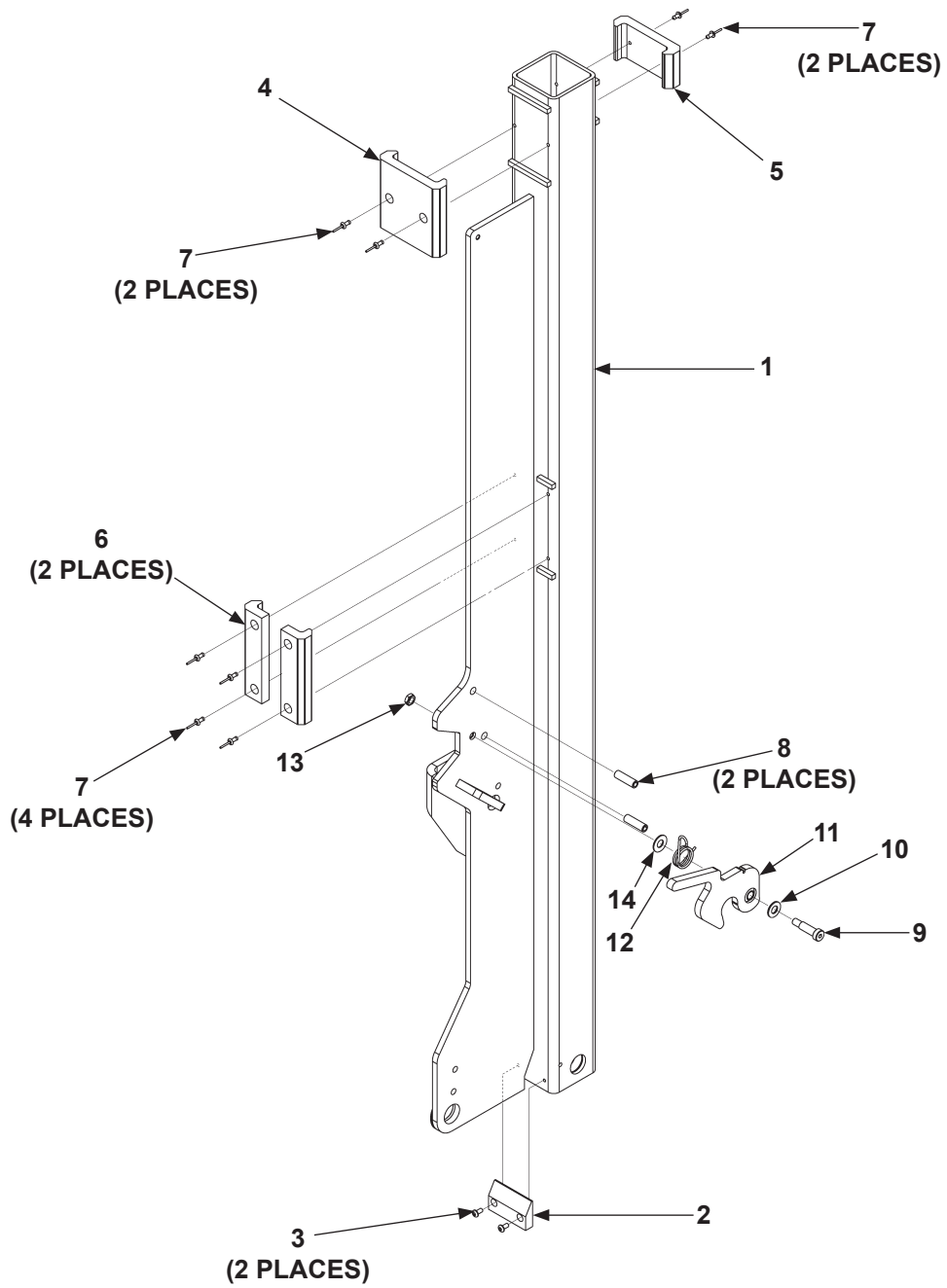
MAXON[®] 11921 Slauson Ave. Santa Fe Springs, CA. 90670 (800) 227-4116 FAX (888) 771-7713

MAXON[®]

11921 Slauson Ave. Santa Fe Springs, CA. 90670 (800) 227-4116 FAX (888) 771-7713

PARTS BREAKDOWN

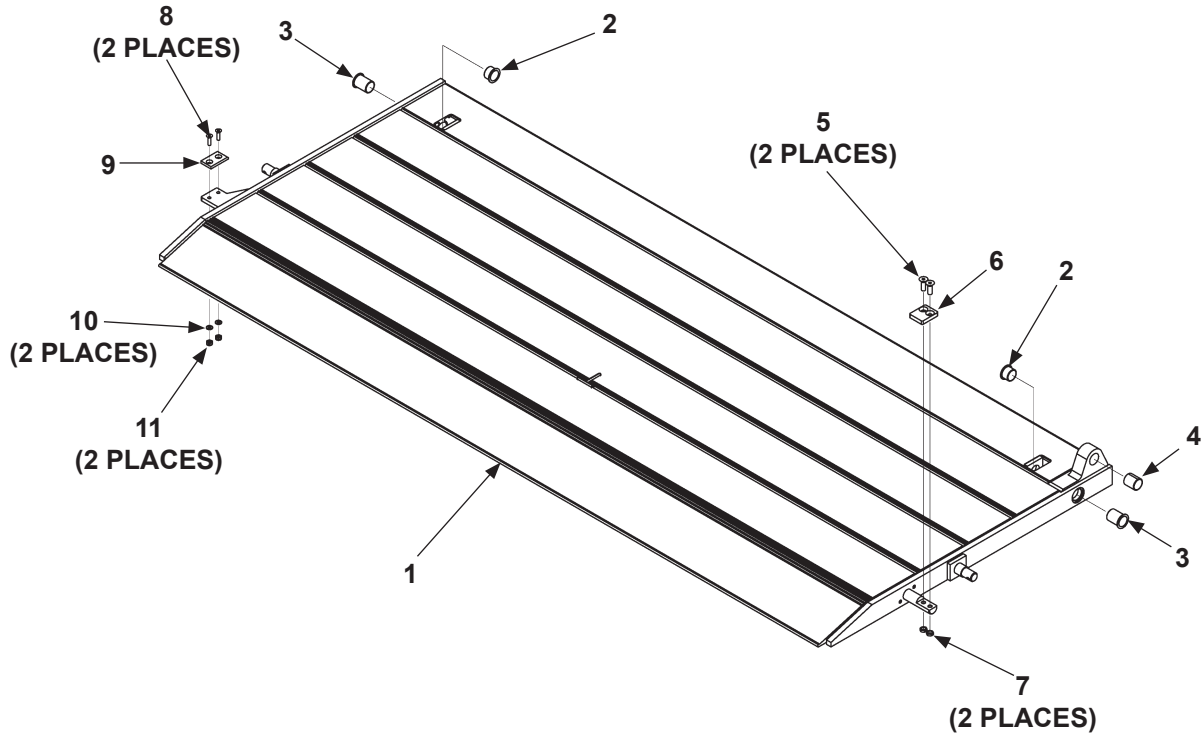
RH RUNNER (EQUIPPED WITH POWER CLOSER)



ITEM	QTY.	PART NO.	DESCRIPTION
REF	1	287245-04	RH RUNNER ASSEMBLY
1	1	287244-04	RH RUNNER WELDMENT
2	1	284285-01	RUNNER BUMPER
3	2	900722-02	BUTTON SCREW, #10-24 X 3/8" LG.
4	1	283232-01	WEAR PAD, 4" LG. WITH CHAMFER
5	1	283232-03	WEAR PAD, 2" LG.
6	2	283233-01	WEAR PAD, 5" LG.
7	8	903706-04	RIVET, 5/32" DIA. X 17/32" LG.
8	2	904723-03	ROLL PIN, 3/8" X 1-1/4" LG.
9	1	900723-06	SHOULDER SCREW, 3/8" X 1" LG.
10	1	903447-01	FLAT WASHER, 3/8" X 1/32" THICK
11	1	283195-01	UPPER LATCH WELDMENT
12	1	908200-01	TORSION SPRING, 90 DEGREES
13	1	903114-01	HEX NUT, 5/16"-18
14	1	903409-03	WASHER, 13/32" - 7/8" O.D.

PARTS BREAKDOWN

ALUMINUM PLATFORM (1-PIECE, FIXED RAMP, EQUIPPED WITH POWER CLOSER)



MAXON[®]

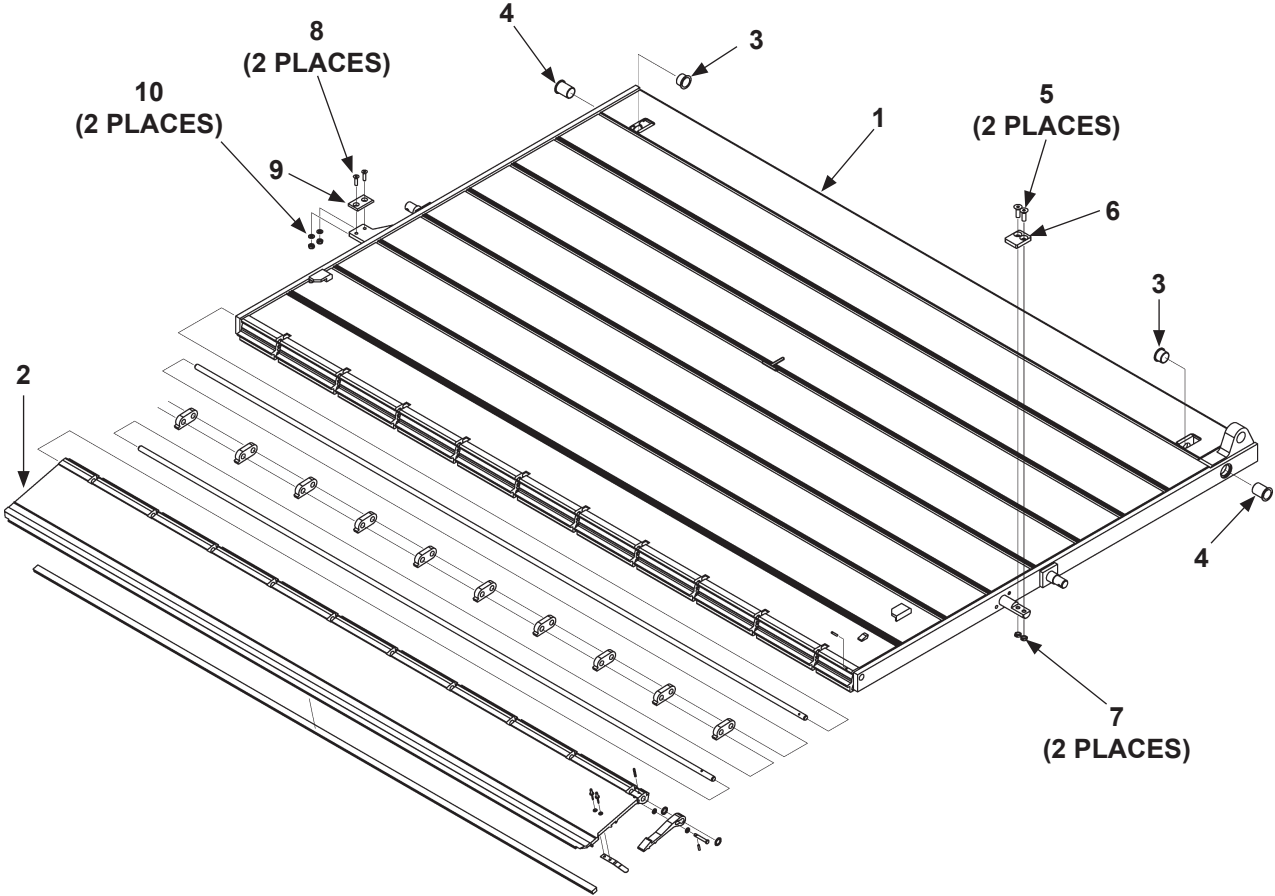
11921 Slauson Ave. Santa Fe Springs, CA. 90670 (800) 227-4116 FAX (888) 771-7713

ITEM	QTY.	DESCRIPTION	PART NO.				
			60" DEEP (48"+12")	66" DEEP (54"+12")	72" DEEP (60"+12")	78" DEEP (66"+12")	84" DEEP (72"+12")
1	1	ALUMINUM PLATFORM ASSEMBLY, HYDRAULIC CLOSER, 1-PIECE FIXED RAMP, 90"	287720-14	287720-15	287720-16	287720-17	287720-23
		ALUMINUM PLATFORM ASSEMBLY, HYDRAULIC CLOSER, 1-PIECE FIXED RAMP, 96"	287720-18	287720-19	287720-20	287720-21	287720-22
		ALUMINUM PLATFORM ASSEMBLY, HYDRAULIC CLOSER, 1-PIECE FIXED RAMP, 90" (MAXGRIP KNURLED SURFACE)	287720-114	287720-115	287720-116	287720-117	287720-123
		ALUMINUM PLATFORM ASSEMBLY, HYDRAULIC CLOSER, 1-PIECE FIXED RAMP, 96" (MAXGRIP KNURLED SURFACE)	287720-118	287720-119	287720-120	287720-121	287720-122
2	2	FLANGE BUSHING, 1" I.D. X 1-1/2" LG.	261837-02				
3	2	FLANGE BUSHING, 1" I.D. X 3/4" LG.	261837-08				
4	1	BEARING, SELF-LUBE, 1" I.D. X 1-14" O.D.	260916-01				
5	2	FLAT HEAD SOCKET SCREW, 3/8"-16 X 1-1/4" LG.	900061-5				
6	1	STOP BRACKET	287239-01				
7	2	HEX NUT, THIN (JAM) 3/8"-16	903114-02				
8	2	FLAT HEAD SOCKET SCREW, 1/4"-20 X 1" LG.	900711-05				
9	1	WEAR PLATE	287845-01				
10	2	FLAT WASHER, 1/4"	903412-01				
11	2	NYLON NUT, THIN, 1/4"-20	903132-01				

MAXON® 11921 Slauson Ave. Santa Fe Springs, CA. 90670 (800) 227-4116 FAX (888) 771-7713

PARTS BREAKDOWN

ALUMINUM PLATFORM (1-PIECE WITH SINGLE ALUMINUM RETENTION RAMP, EQUIPPED WITH POWER CLOSER)



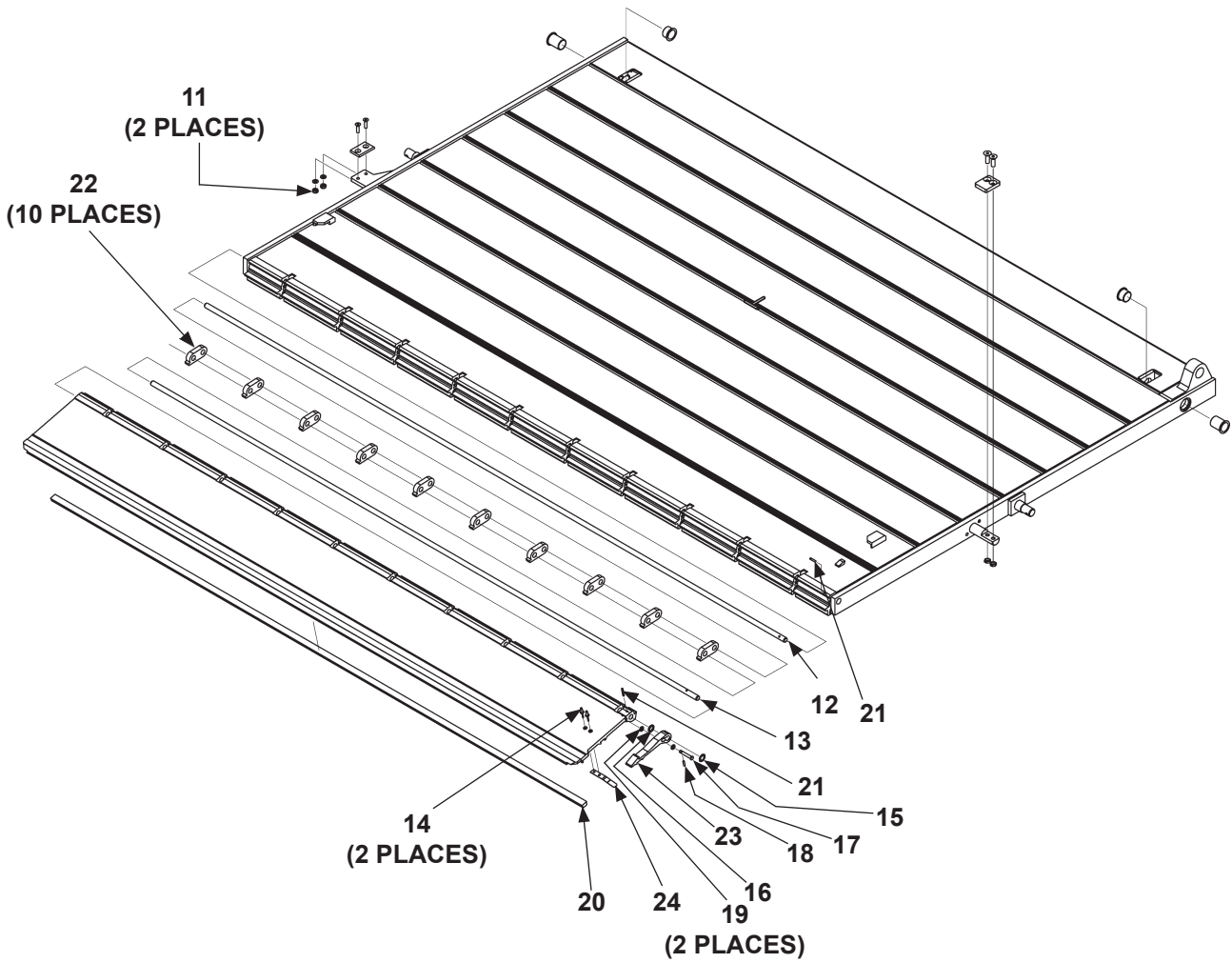
MAXON®

11921 Slauson Ave. Santa Fe Springs, CA. 90670 (800) 227-4116 FAX (888) 771-7713

ITEM	QTY.	DESCRIPTION	PART NO.			
			54" DEEP (54"+9")	60" DEEP (60"+9")	66" DEEP (66"+9")	72" DEEP (72"+9")
1	1	ALUMINUM PLATFORM ASSEMBLY, HYDRAULIC CLOSER, 90", ARR (ALUMINUM RETENTION RAMP) 9"	287220-29	287220-30	287220-31	287220-32
		ALUMINUM PLATFORM ASSEMBLY, HYDRAULIC CLOSER, 96", ARR 9"	287220-33	287220-34	287220-35	287220-36
		ALUMINUM PLATFORM ASSEMBLY, HYDRAULIC CLOSER, 90", ARR 9" (MAXGRIP KNURLED SURFACE)	287220-129	287220-130	287220-131	287220-132
		ALUMINUM PLATFORM ASSEMBLY, HYDRAULIC CLOSER, 96", ARR 9" (MAXGRIP KNURLED SURFACE)	287220-133	287220-134	287220-135	287220-136
2	1	PLATFORM RAMP, 84-1/2" LG. (90" W PLATFORM)	267041-26			
		PLATFORM RAMP, 90-1/2" LG. (96" W PLATFORM)	267041-27			
3	2	PLASTIC FLANGE BUSHING, 1" I.D. X 3/4" LG.	261837-02			
4	2	PLASTIC FLANGE BUSHING, 1" I.D. X 1-1/2" LG.	261837-08			
5	2	FLAT HEAD SOCKET SCREW, 3/8"-16 X 1-1/4" LG.	900061-5			
6	1	STOP BRACKET	287239-01			
7	2	HEX NUT, THIN (JAM) 3/8"-16	903114-02			
8	2	FLAT HEAD SOCKET SCREW, 1/4"-20 X 1" LG.	900711-05			
9	1	WEAR PLATE	287845-01			
10	2	FLAT WASHER, 1/4"	903412-01			

PARTS BREAKDOWN

ALUMINUM PLATFORM (1-PIECE WITH SINGLE ALUMINUM RETENTION RAMP, EQUIPPED WITH POWER CLOSER) - Continued



MAXON®

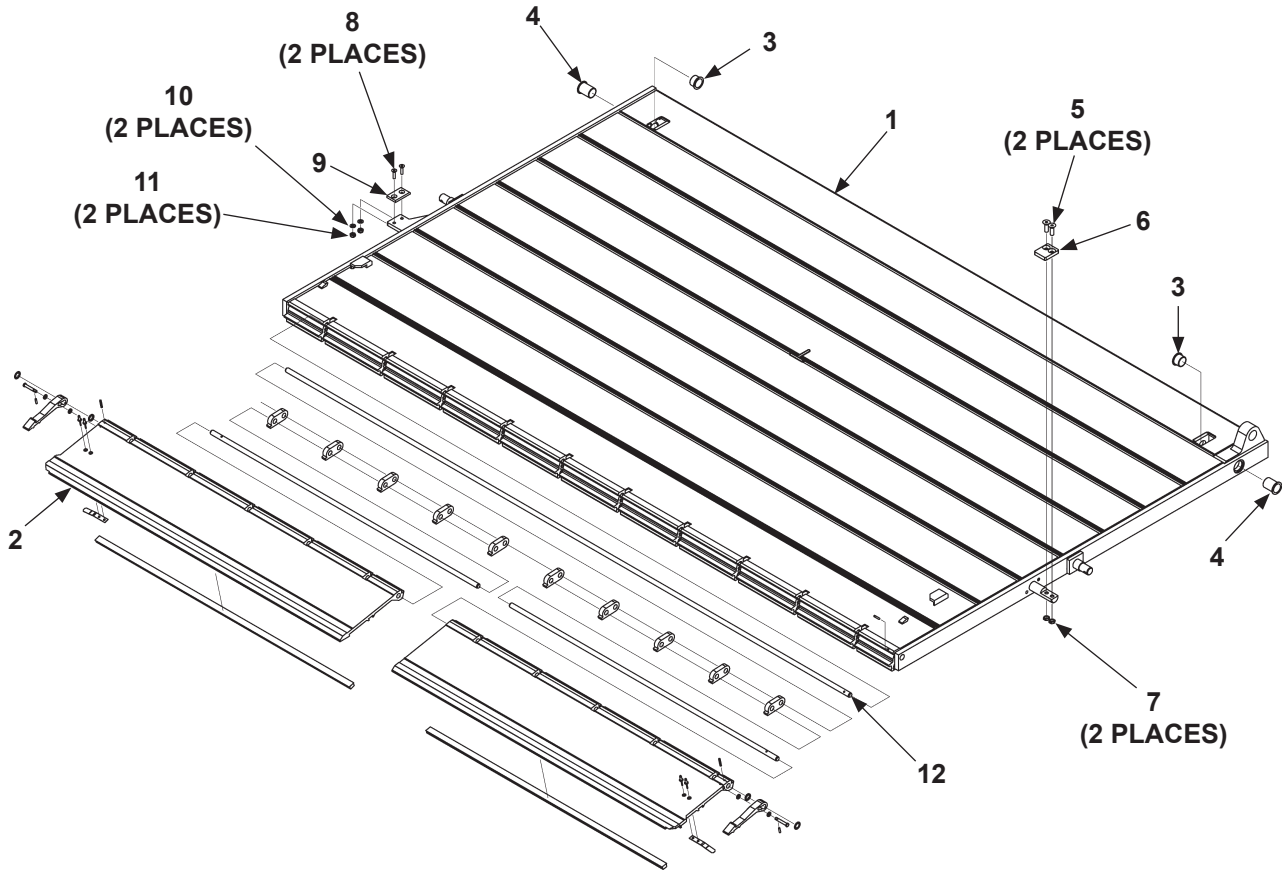
11921 Slauson Ave. Santa Fe Springs, CA. 90670 (800) 227-4116 FAX (888) 771-7713

ITEM	QTY.	DESCRIPTION	PART NO.			
			54" DEEP	60" DEEP	66" DEEP	72" DEEP
11	2	NYLON NUT, THIN, 1/4"-20	903132-01			
12	1	HINGE ROD, 1/2" DIA X 87-5/16" LG. (90"W PLATFORM)	267045-19			
		HINGE ROD, 1/2" DIA X 93-5/16" LG. (96"W PLATFORM)	267045-21			
13	1	HINGE ROD, 1/2" DIA X 84-1/2" LG. (90"W PLATFORM)	267045-18			
		HINGE ROD, 1/2" DIA X 90-1/2" LG. (96"W PLATFORM)	267045-20			
14	2	RIVET, 3/16" X 7/16" LG.	904005-1			
15	1	RETAINING RING, SELF-LOCKING, 1/2"	903420-01			
16	1	NYLON WASHER, 1/2" I.D. X 1/16" THICK	903413-02			
17	1	CLEVIS PIN, 1/4" X 1-5/8" LG.	283951-01			
18	1	ROLL PIN, 5/32" X 5/8" LG.	905007-03			
19	2	NYLON WASHER, 1/4" I.D. X 5/8" THICK	903421-02			
20	1	BUMPER EXTRUSION, 9/16" X 9/32" X 75-1/4" LG.	905318-08			
21	2	ROLL PIN, 5/32" X 1" LG.	905007-07			
22	10	FLIPOVER RAMP HINGE, 1/2" LG.	311022-10			
23	1	RETENTION RAMP HOOK	311038-11			
24	1	RETENTION RAMP HOOK SPRING	267326-01			
25	1	ROLL PIN, 3/16" X 5/8" LG.	905007-03			

MAXON[®] 11921 Slauson Ave. Santa Fe Springs, CA. 90670 (800) 227-4116 FAX (888) 771-7713

PARTS BREAKDOWN

ALUMINUM PLATFORM (1-PIECE WITH DUAL ALUMINUM RETENTION RAMP, EQUIPPED WITH POWER CLOSER)



MAXON®

11921 Slauson Ave. Santa Fe Springs, CA. 90670 (800) 227-4116 FAX (888) 771-7713

ITEM	QTY.	DESCRIPTION	PART NO.			
			54" DEEP (54"+9")	60" DEEP (60"+9")	66" DEEP (66"+9")	72" DEEP (72"+9")
1	1	ALUMINUM PLATFORM ASSEMBLY, HYDRAULIC CLOSER, 90", DRR (DUAL RETENTION RAMP) 9"	287220-41	287220-42	287220-43	287220-44
		ALUMINUM PLATFORM ASSEMBLY, HYDRAULIC CLOSER, 96", DRR 9"	287220-45	287220-46	287220-47	287220-48
		ALUMINUM PLATFORM ASSEMBLY, HYDRAULIC CLOSER, 90", DRR 9" (MAXGRIP KNURLED SURFACE)	287220-141	287220-142	287220-143	287220-144
		ALUMINUM PLATFORM ASSEMBLY, HYDRAULIC CLOSER, 96", DRR 9" (MAXGRIP KNURLED SURFACE)	287220-145	287220-146	287220-147	287220-148
2	1	PLATFORM RAMP, LH, 40-7/8" LG. (90"W PLATFORM)	267041-29			
		PLATFORM RAMP, LH, 43-1/2" LG. (96"W PLATFORM)	267041-30			
3	2	PLASTIC FLANGE BUSHING, 1" I.D. X 3/4" LG.	261837-02			
4	2	PLASTIC FLANGE BUSHING, 1" I.D. X 1-1/2" LG.	261837-08			
5	2	FLAT HEAD SOCKET SCREW, 3/8"-16 X 1-1/4" LG.	900061-5			
6	1	STOP BRACKET	287239-01			
7	2	HEX NUT, THIN (JAM) 3/8"-16	903114-02			
8	2	FLAT HEAD SOCKET SCREW, 1/4"-20 X 1" LG.	900711-05			
9	1	WEAR PLATE	287845-01			
10	2	FLAT WASHER, 1/4"	903412-01			
11	2	NYLON NUT, THIN, 1/4"-20	903132-01			
12	1	HINGE ROD, 1/2" DIA X 87-5/16" LG. (90"W PLATFORM)	267045-19			
		HINGE ROD, 1/2" DIA X 93-5/16" LG. (96"W PLATFORM)	267045-21			

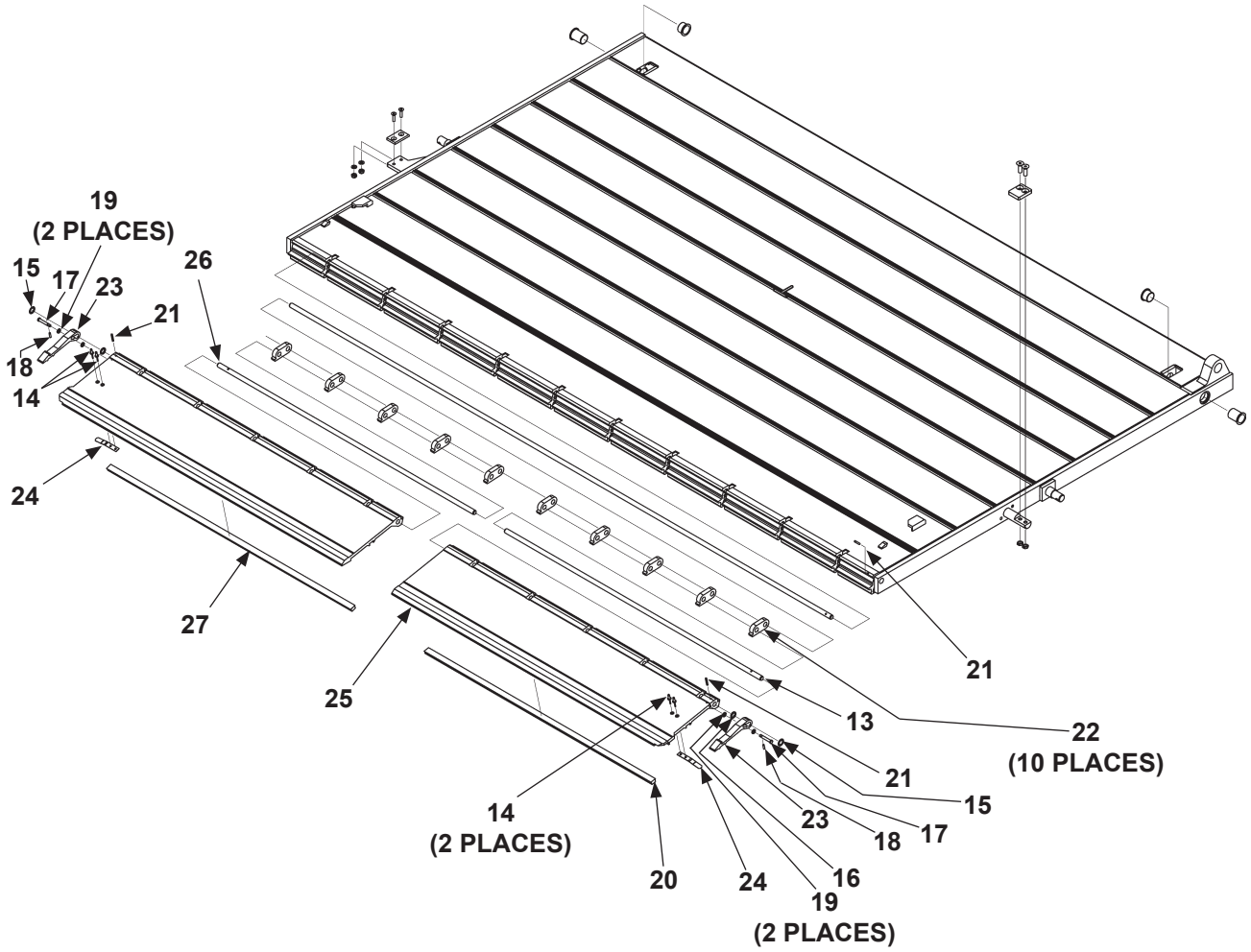
MAXON® 11921 Slauson Ave. Santa Fe Springs, CA. 90670 (800) 227-4116 FAX (888) 771-7713

PARTS BREAKDOWN

ALUMINUM PLATFORM (1-PIECE WITH DUAL ALUMINUM RETENTION RAMP, EQUIPPED WITH POWER CLOSER) - Continued

MAXON®

11921 Slauson Ave. Santa Fe Springs, CA. 90670 (800) 227-4116 FAX (888) 771-7713



ITEM	QTY.	DESCRIPTION	PART NO.			
			54" DEEP	60" DEEP	66" DEEP	72" DEEP
13	1	HINGE ROD, 1/2" DIA X 39" LG. (90" W PLATFORM)	267045-22			
		HINGE ROD, 1/2" DIA X 42" LG. (96" W PLATFORM)	267045-23			
14	4	RIVET, 3/16" X 7/16" LG.	904005-1			
15	2	RETAINING RING, SELF-LOCKING, 1/2"	903420-01			
16	2	NYLON WASHER, 1/2" I.D. X 1/16" THICK	903413-02			
17	2	CLEVIS PIN, 1/4" X 1-5/8" LG.	283951-01			
18	2	ROLL PIN, 3/16" X 5/8" LG.	905007-03			
19	4	NYLON WASHER, 1/4" I.D. X 5/8" THICK	903421-02			
20	1	BUMPER EXTRUSION, 9/16" X 5/16" X 37-1/2" LG.	905318-21			
		BUMPER EXTRUSION, 9/16" X 5/16" X 40-1/2" LG.	905318-22			
21	3	ROLL PIN, 3/16" X 1" LG.	905007-07			
22	10	FLIPOVER RAMP HINGE, 1/2" LG.	311022-10			
23	2	RETENTION RAMP HOOK	311038-11			
24	2	RETENTION RAMP HOOK SPRING	267326-01			
25	1	PLATFORM RAMP, RH, 43-1/2" LG. (90"W PLATFORM)	267041-18			
		PLATFORM RAMP, RH, 46-1/2" LG. (96"W PLATFORM)	267041-20			
26	1	HINGE ROD, 1/2" DIA X 42" LG. (90"W PLATFORM)	267045-23			
		HINGE ROD, 1/2" DIA X 45" LG. (96"W PLATFORM)	267045-24			
27	1	BUMPER EXTRUSION, 9/16" X 5/16" X 37-1/8" LG.	905318-12			
		BUMPER EXTRUSION, 9/16" X 5/16" X 43-1/8" LG.	905318-13			

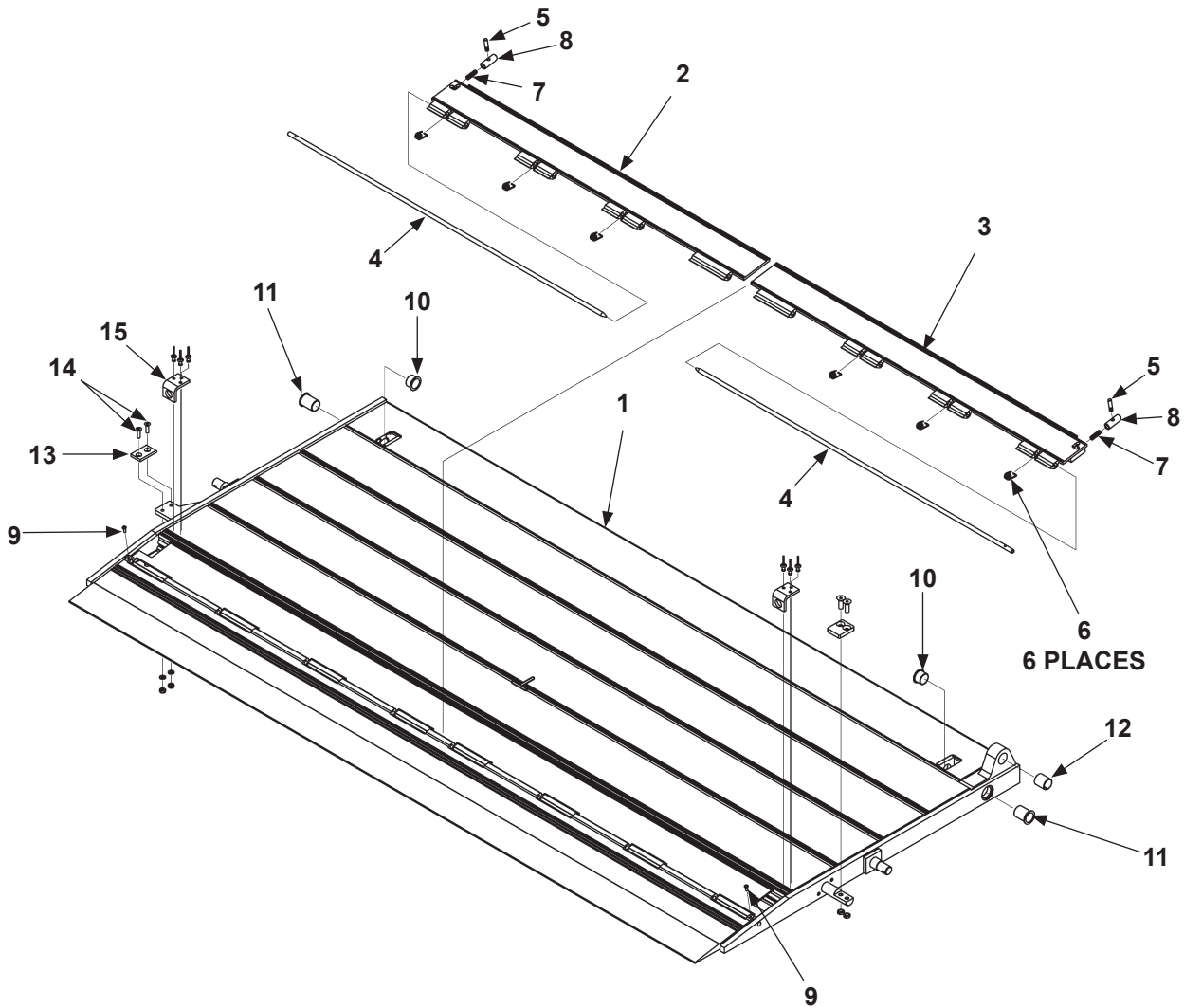
MAXON® 11921 Slauson Ave. Santa Fe Springs, CA. 90670 (800) 227-4116 FAX (888) 771-7713

PARTS BREAKDOWN

ALUMINUM PLATFORM (1-PIECE WITH DUAL CART STOPS, EQUIPPED WITH POWER CLOSER)

MAXON®

11921 Slauson Ave. Santa Fe Springs, CA. 90670 (800) 227-4116 FAX (888) 771-7713



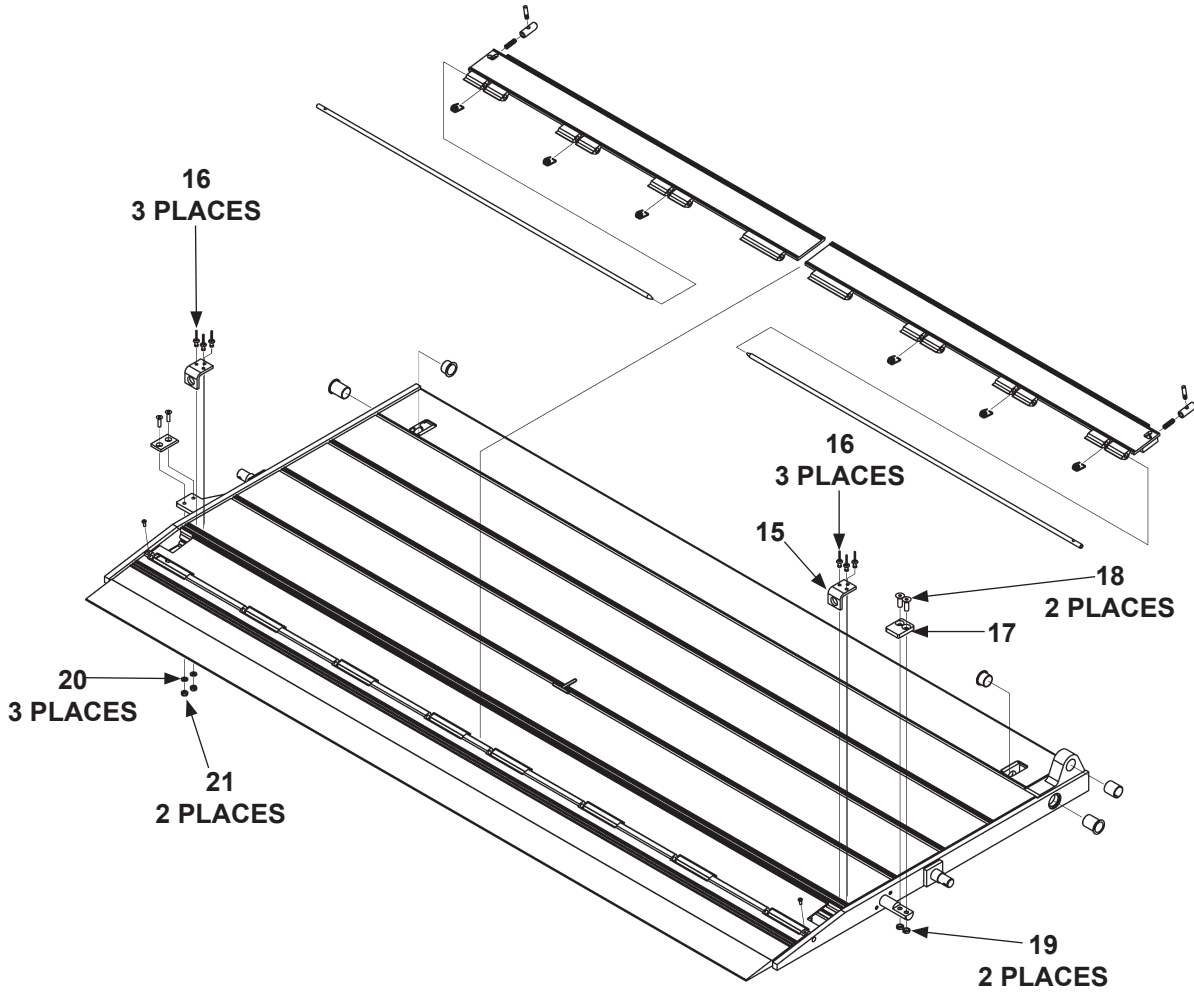
ITEM	QTY.	DESCRIPTION	PART NO.				
			60" DEEP	66" DEEP	72" DEEP	78" DEEP	84" DEEP
1	1	ALUMINUM PLATFORM ASSEMBLY, HYDRAULIC CLOSER, 90", DCS (DUAL CART STOPS)	287722-35	287722-36	287722-37	287722-38	287722-44
		ALUMINUM PLATFORM ASSEMBLY, HYDRAULIC CLOSER, 96", DCS	287722-39	287722-40	287722-41	287722-42	287722-43
		ALUMINUM PLATFORM ASSEMBLY, HYDRAULIC CLOSER, 90", DCS (MAXGRIP KNURLED SURFACE)	287722-135	287722-136	287722-137	287722-138	287722-142
		ALUMINUM PLATFORM ASSEMBLY, HYDRAULIC CLOSER, 96", DCS (MAXGRIP KNURLED SURFACE)	287722-139	287722-140	287722-141	287722-142	287722-143
2	1	LH CART STOP WELDMENT, 44" LG. (90"W PLATFORM)	287446-06				
		LH CART STOP WELDMENT, 47" LG. (96"W PLATFORM)	287446-08				
3	1	RH CART STOP WELDMENT, 44" LG (90"W PLATFORM)	287446-07				
		RH CART STOP WELDMENT, 47" LG (96"W PLATFORM)	287446-09				
4	2	PIN, CART STOP, 44-3/4" LG.	287443-02				
		PIN, CART STOP, 47-3/4" LG.	287443-03				
5	2	SHOOT BOLT, 1-3/8" LG.	288636-01				
6	6	SPRING, CART STOP	282729-01				
7	2	SHOOT BOLT SPRING, 1-3/8" LG.	283957-01				
8	2	PLUNGER	287224-01				
9	2	SCREW, BUTTON, 10-24 X 1/2" LG.	900722-03				
10	2	PLASTIC FLANGE BUSHING, 1" I.D. X 3/4" LG.	261837-02				
11	2	PLASTIC FLANGE BUSHING, 1" I.D. X 1-1/2" LG.	261837-08				
12	1	BEARING, SELF LUBE, 1" X 1-1/4"	260916-01				
13	1	WEAR PLATE	287845-01				
14	2	FLAT HEAD SOCKET SCREW, 1/4"-20 X 1" LG.	900711-05				

MAXON[®]

11921 Slauson Ave. Santa Fe Springs, CA. 90670 (800) 227-4116 FAX (888) 771-7713

PARTS BREAKDOWN

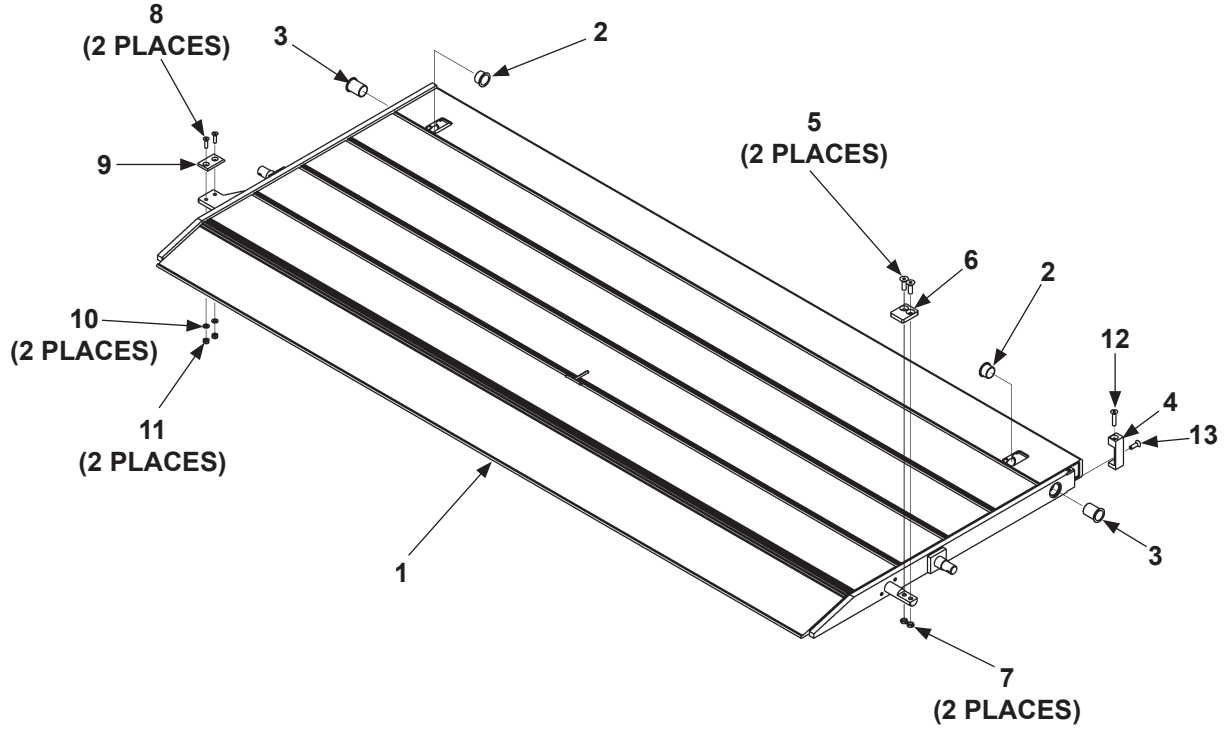
ALUMINUM PLATFORM (1-PIECE WITH DUAL CART STOPS, EQUIPPED WITH POWER CLOSER) - Continued



ITEM	QTY.	DESCRIPTION	PART NO.				
			60" DEEP	66" DEEP	72" DEEP	78" DEEP	84" DEEP
15	2	CATCH BRACKET	287226-01				
16	6	RIVET, 1/4" X 3/8" LG.	903715-04				
17	1	STOP BRACKET	287239-01				
18	2	FLAT HEAD SOCKET SCREW, 3/8"-16 X 1-1/4" LG.	900061-5				
19	2	HEX NUT, THIN (JAM) 3/8"-16	903114-02				
20	2	FLAT WASHER, 1/4"	903412-01				
21	2	NYLON NUT, THIN, 1/4"-20	903132-01				

PARTS BREAKDOWN

ALUMINUM PLATFORM (1-PIECE, FIXED RAMP WITH SINGLE TORSION BAR)



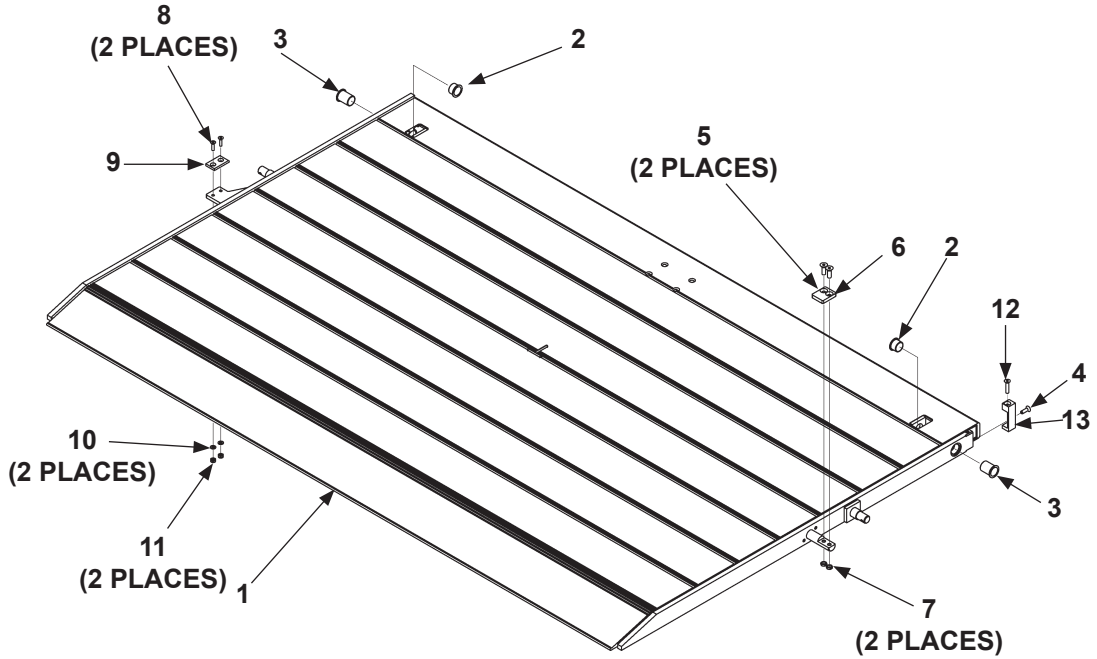
MAXON®

11921 Slauson Ave. Santa Fe Springs, CA. 90670 (800) 227-4116 FAX (888) 771-7713

ITEM	QTY.	PART NO.	DESCRIPTION
1	1	287811-05	ALUMINUM PLATFORM ASSEMBLY, 90" X 36" (30+6)
		287811-06	ALUMINUM PLATFORM ASSEMBLY, 90" X 42" (36+6)
		287811-07	ALUMINUM PLATFORM ASSEMBLY, 90" X 48" (42+6)
		287232-04	ALUMINUM PLATFORM ASSEMBLY, 90" X 42" (30+12)
		287232-05	ALUMINUM PLATFORM ASSEMBLY, 90" X 48" (36+12)
		287811-09	ALUMINUM PLATFORM ASSEMBLY, 96" X 36" (30+6)
		287811-10	ALUMINUM PLATFORM ASSEMBLY, 96" X 42" (36+6)
		287811-11	ALUMINUM PLATFORM ASSEMBLY, 96" X 48" (36+6)
		287232-04-401	ALUMINUM PLATFORM ASSEMBLY, 90" X 42" (30+12) (MAX-GRIP KNURLED SURFACE)
		287232-05-401	ALUMINUM PLATFORM ASSEMBLY, 90" X 48" (36+12) (MAX-GRIP KNURLED SURFACE)
		287232-07-401	ALUMINUM PLATFORM ASSEMBLY, 96" X 42" (30+12) (MAX-GRIP KNURLED SURFACE)
287232-08-401	ALUMINUM PLATFORM ASSEMBLY, 96" X 48" (36+12) (MAX-GRIP KNURLED SURFACE)		
2	2	261837-02	FLANGE BUSHING, 1" I.D. X 1-1/2" LG.
3	2	261837-08	FLANGE BUSHING, 1" I.D. X 3/4" LG.
4	1	285579-01	WEAR PLATE
5	2	900061-5	FLAT HEAD SOCKET SCREW, 3/8"-16 X 1-1/4" LG.
6	1	287239-01	STOP BRACKET
7	2	903114-02	HEX NUT, THIN (JAM) 3/8"-16
8	2	900711-05	FLAT HEAD SOCKET SCREW, 1/4"-20 X 1" LG.
9	1	287845-01	WEAR PLATE
10	2	903412-01	FLAT WASHER, 1/4"
11	2	903132-01	NYLON NUT, THIN, 1/4"-20
12	1	900712-01	FLAT HEAD SOCKET SCREW, 5/16"-18 X 1-1/2" LG.
13	1	900712-02	FLAT HEAD SOCKET SCREW, 5/16"-18 X 1" LG.

PARTS BREAKDOWN

ALUMINUM PLATFORM (1-PIECE, FIXED RAMP WITH DUAL TORSION BARS)



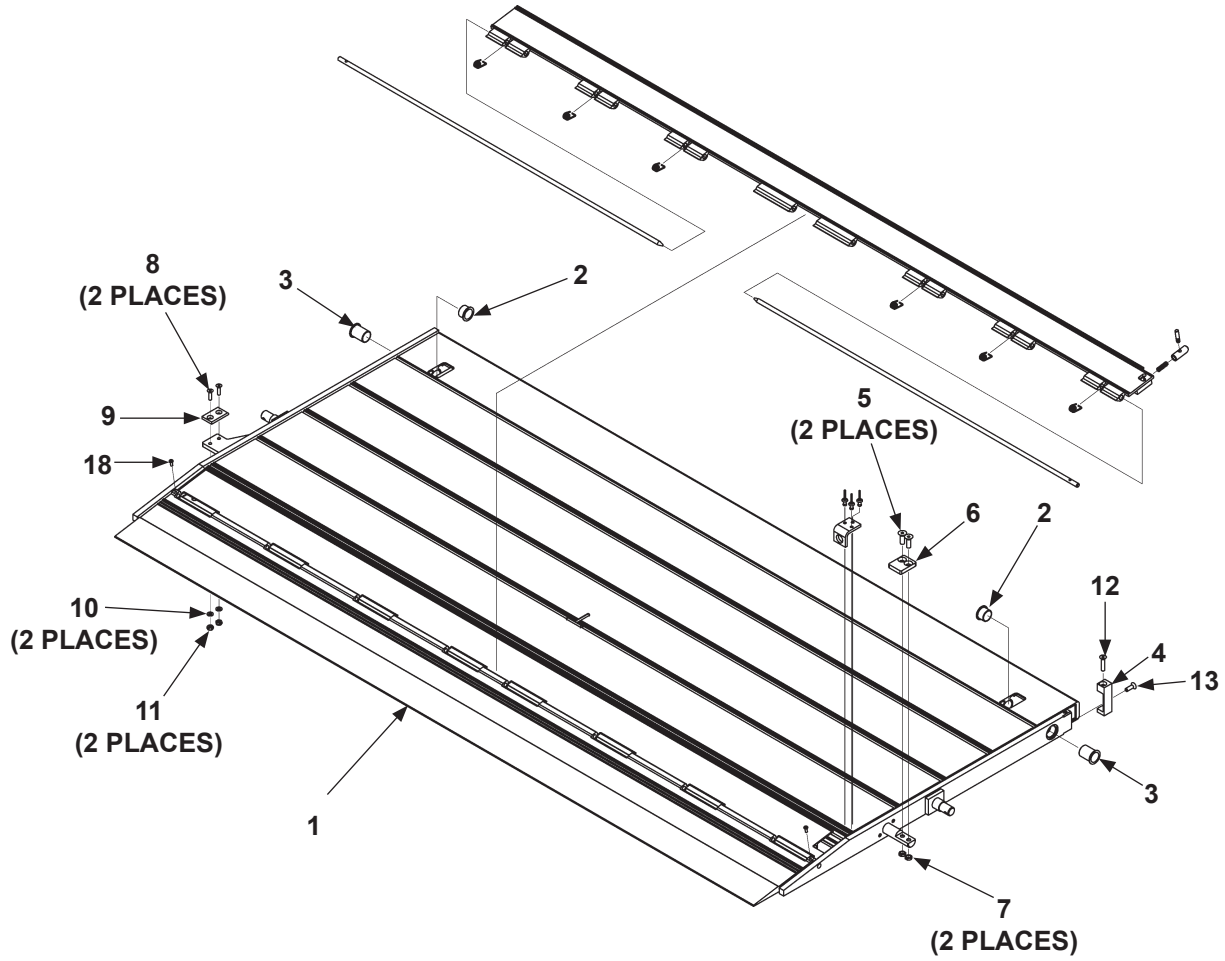
MAXON®

11921 Slauson Ave. Santa Fe Springs, CA. 90670 (800) 227-4116 FAX (888) 771-7713

ITEM	QTY.	PART NO.	DESCRIPTION
1	1	289284-02	ALUMINUM PLATFORM ASSEMBLY, 90" X 54" (48+6)
		289288-02	ALUMINUM PLATFORM ASSEMBLY, 90" X 54" (42+12)
		287811-12	ALUMINUM PLATFORM ASSEMBLY, 96" X 54" (48+6)
		287232-06-401	ALUMINUM PLATFORM ASSEMBLY, 90" X 54" (42+12) (MAX-GRIP KNURLED SURFACE)
		287232-09-401	ALUMINUM PLATFORM ASSEMBLY, 96" X 54" (42+12) (MAX-GRIP KNURLED SURFACE)
2	2	261837-02	FLANGE BUSHING, 1" I.D. X 1-1/2" LG.
3	2	261837-08	FLANGE BUSHING, 1" I.D. X 3/4" LG.
4	1	285579-01	WEAR PLATE
5	2	900061-5	FLAT HEAD SOCKET SCREW, 3/8"-16 X 1-1/4" LG.
6	1	287239-01	STOP BRACKET
7	2	903114-02	HEX NUT, THIN (JAM) 3/8"-16
8	2	900711-05	FLAT HEAD SOCKET SCREW, 1/4"-20 X 1" LG.
9	1	287845-01	WEAR PLATE
10	2	903412-01	FLAT WASHER, 1/4"
11	2	903132-01	NYLON NUT, THIN, 1/4"-20
12	1	900712-01	FLAT HEAD SOCKET SCREW, 5/16"-18 X 1-1/2" LG.
13	1	900712-02	FLAT HEAD SOCKET SCREW, 5/16"-18 X 1" LG.

PARTS BREAKDOWN

ALUMINUM PLATFORM (1-PIECE WITH SINGLE CART STOP)



MAXON®

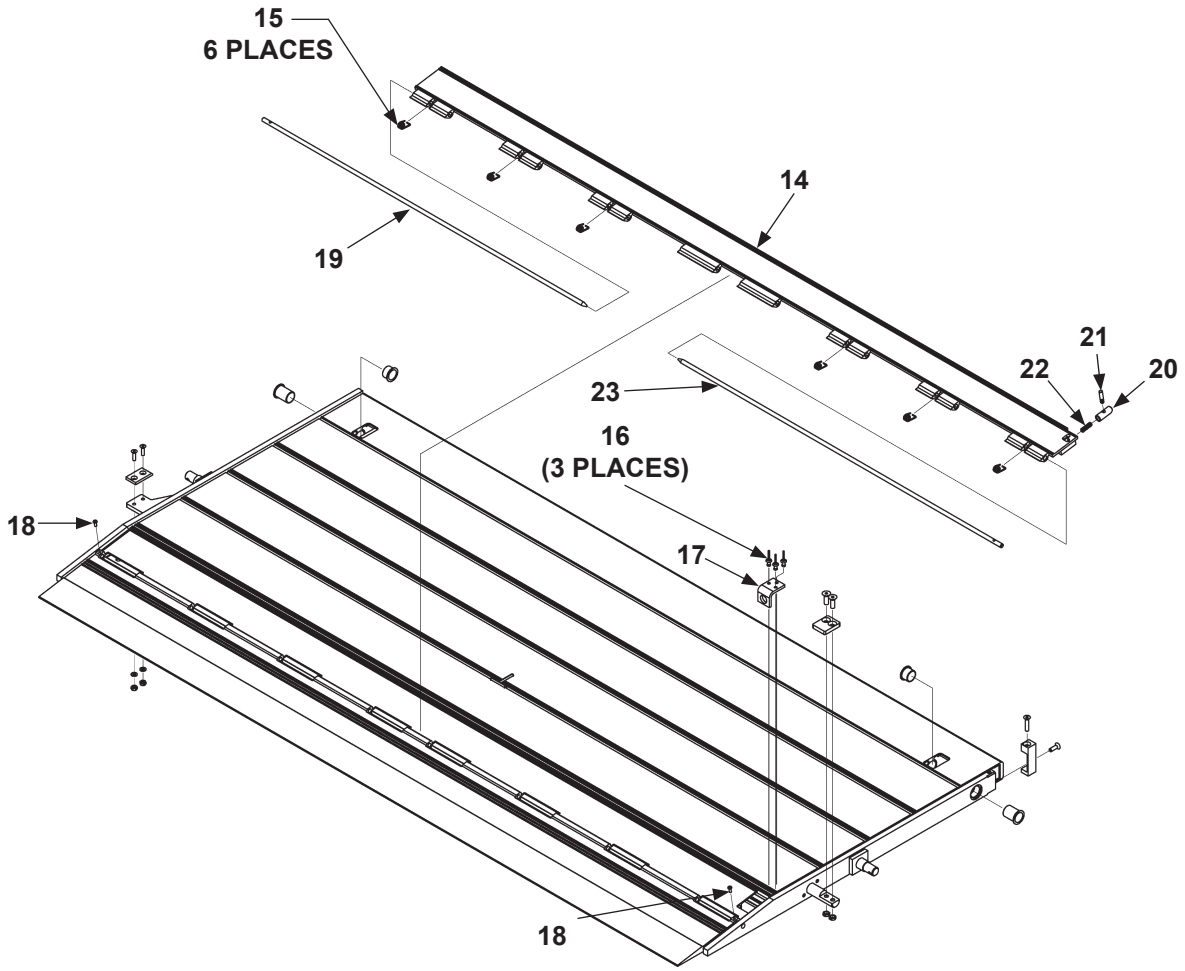
11921 Slauson Ave. Santa Fe Springs, CA. 90670 (800) 227-4116 FAX (888) 771-7713

ITEM	QTY.	DESCRIPTION	PART NO.			
			36" DEEP PLATFORM	42" DEEP PLATFORM	48" DEEP PLATFORM	54" DEEP PLATFORM
1	1	ALUMINUM PLATFORM ASSEMBLY, 90", SCS (SINGLE CART STOP), 6" RAMP	287536-25	287536-26	287536-27	289286-04
		ALUMINUM PLATFORM ASSEMBLY, 90", SCS, 12" RAMP		287445-04	287445-05	289290-02
		ALUMINUM PLATFORM ASSEMBLY, 96", SCS, 6" RAMP,	287536-29	287536-30	287536-31	287536-32
		ALUMINUM PLATFORM ASSEMBLY, 96", SCS, 12" RAMP,		287232-07	287232-08	287232-09
		ALUMINUM PLATFORM ASSEMBLY, 90", SCS, 6" RAMP (MAXGRIP KNURLED SURFACE)	287536-25-401	287536-26-401	287536-27-401	289290-102
		ALUMINUM PLATFORM ASSEMBLY, 90", SCS, 12" RAMP (MAXGRIP KNURLED SURFACE)		287445-04-401	287445-05-401	287233-63-401
		ALUMINUM PLATFORM ASSEMBLY, 96", SCS, 6" RAMP (MAXGRIP KNURLED SURFACE)	287536-29-401	287536-30-401	287536-31-401	287536-32-401
		ALUMINUM PLATFORM ASSEMBLY, 96", SCS, 12" RAMP (MAXGRIP KNURLED SURFACE)		287445-07-401	287445-08-401	287445-09-401
2	2	FLANGE BUSHING, 1" I.D. X 1-1/2" LG.	261837-02			
3	2	FLANGE BUSHING, 1" I.D. X 3/4" LG	261837-08			
4	1	WEAR PLATE	285579-01			
5	2	FLAT HEAD SOCKET SCREW, 3/8"-16 X 1-1/4" LG.	900061-5			
6	1	STOP BRACKET	287239-01			
7	2	HEX NUT, THIN (JAM) 3/8"-16	903114-02			
8	2	FLAT HEAD SOCKET SCREW, 1/4"-20 X 1" LG.	900711-05			
9	1	WEAR PLATE	287845-01			
10	2	FLAT WASHER, 1/4"	903412-01			
11	2	NYLON NUT, THIN, 1/4"-20	903132-01			
12	1	FLAT HEAD SOCKET SCREW, 5/16"-18 X 1-1/2" LG.	900712-01			
13	1	FLAT HEAD SOCKET SCREW, 5/16"-18 X 1" LG.	900712-02			

MAXON® 11921 Slauson Ave. Santa Fe Springs, CA. 90670 (800) 227-4116 FAX (888) 771-7713

PARTS BREAKDOWN

ALUMINUM PLATFORM (1-PIECE WITH SINGLE CART STOP) - Continued



MAXON[®]

11921 Slauson Ave. Santa Fe Springs, CA. 90670 (800) 227-4116 FAX (888) 771-7713

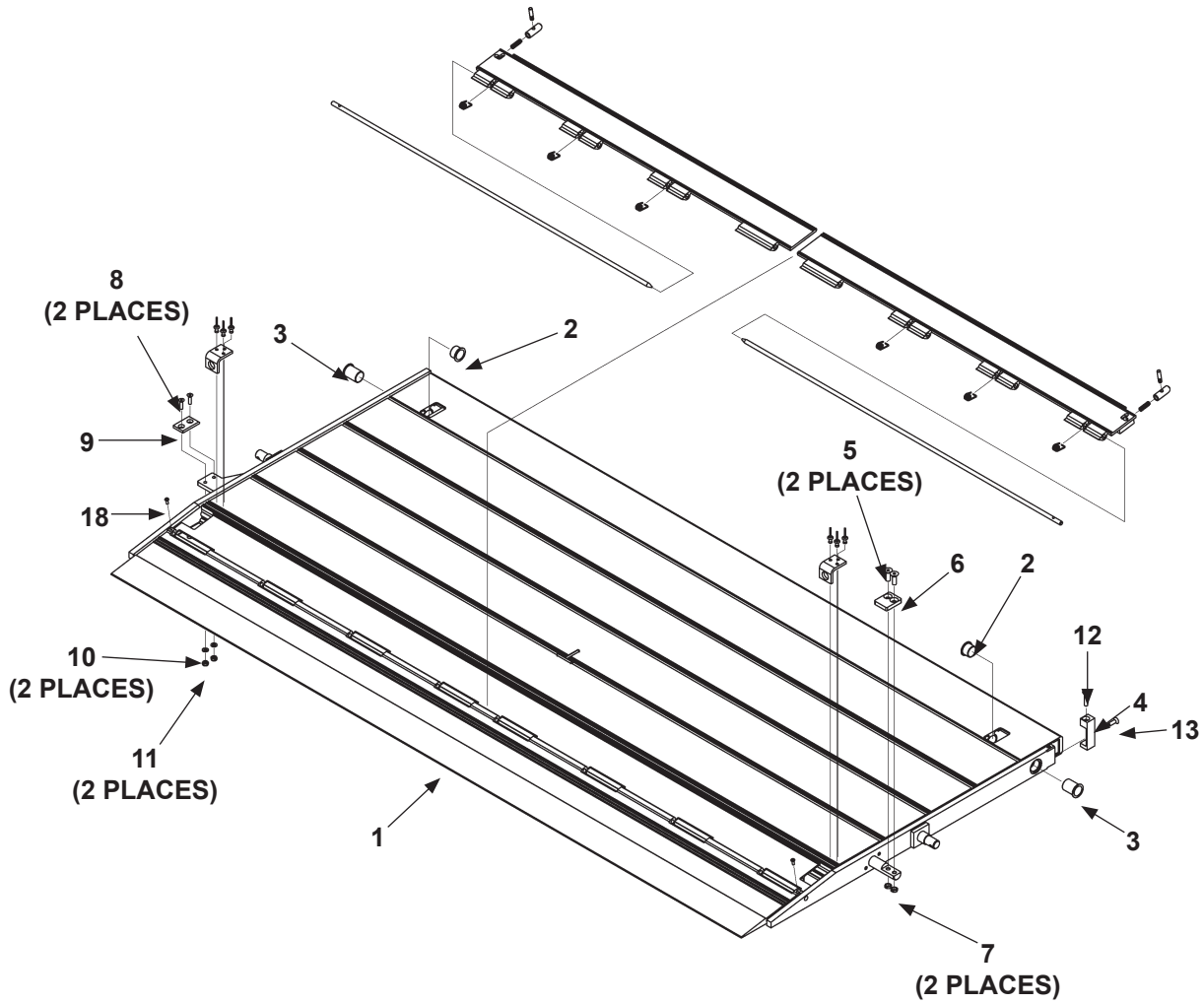
ITEM	QTY.	DESCRIPTION	PART NO.			
			36" DEEP PLATFORM	42" DEEP PLATFORM	48" DEEP PLATFORM	54" DEEP PLATFORM
14	1	CART STOP WELDMENT, 88-3/16" LG. (90"W PLATFORM)	287446-11			
		CART STOP WELDMENT, 94-3/16" LG. (96"W PLATFORM)	287446-12			
15	6	SPRING, CART STOP	282729-01			
16	3	RIVET, 1/4" X 3/8" LG.	903715-04			
17	1	CATCH BRACKET	287226-01			
18	2	SCREW, BUTTON, 10-24 X 1/2" LG.	900722-03			
19	1	PIN, CART STOP, 47-3/4" LG.	287443-03			
20	1	PLUNGER	287224-01			
21	1	SHOOT BOLT, 1-3/8" LG	288636-01			
22	1	SHOOT BOLT SPRING, 1-3/8" LG.	283957-01			
23	1	PIN, CART STOP, 44-3/4" LG.	287443-02			

PARTS BREAKDOWN

ALUMINUM PLATFORM (1-PIECE WITH DUAL CART STOPS)

MAXON®

11921 Slauson Ave. Santa Fe Springs, CA. 90670 (800) 227-4116 FAX (888) 771-7713

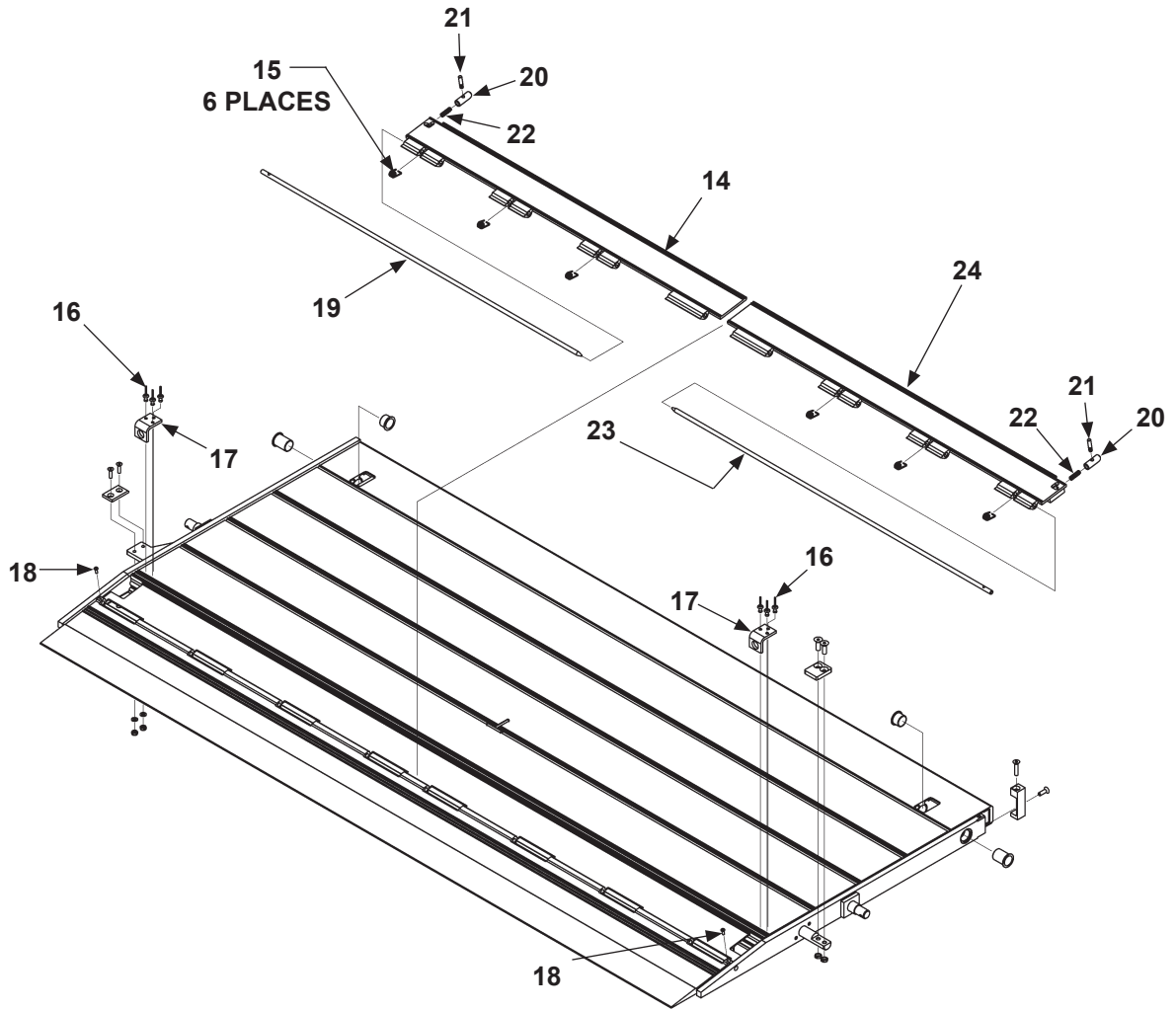


ITEM	QTY.	DESCRIPTION	PART NO.			
			36" DEEP PLATFORM	42" DEEP PLATFORM	48" DEEP PLATFORM	54" DEEP PLATFORM
1	1	ALUMINUM PLATFORM ASSEMBLY, 90", DCS (DUAL CART STOP), 6" RAMP	287536-05	287536-06	287536-07	289286-02
		ALUMINUM PLATFORM ASSEMBLY, 90", DCS, 12" RAMP		287445-13	287445-14	289290-04
		ALUMINUM PLATFORM ASSEMBLY, 96", DCS, 6" RAMP,	287536-09	287536-10	287536-11	287536-12
		ALUMINUM PLATFORM ASSEMBLY, 96", DCS, 12" RAMP,		287445-16	287445-17	287445-18
		ALUMINUM PLATFORM ASSEMBLY, 90", DCS, 6" RAMP (MAXGRIP KNURLED SURFACE)	287536-05-401	287536-06-401	287536-07-401	289286-102
		ALUMINUM PLATFORM ASSEMBLY, 90", DCS, 12" RAMP (MAXGRIP KNURLED SURFACE)		287445-13-401	287445-14-401	289290-104
		ALUMINUM PLATFORM ASSEMBLY, 96", DCS, 6" RAMP (MAXGRIP KNURLED SURFACE)	287536-09-401	287536-10-401	287536-11-401	287536-12-401
		ALUMINUM PLATFORM ASSEMBLY, 96", DCS, 12" RAMP (MAXGRIP KNURLED SURFACE)		287445-16-401	287445-17-401	287445-18-401
2	2	PLASTIC FLANGE BUSHING, 1" I.D. X 1-1/2" LG.	261837-02			
3	2	PLASTIC FLANGE BUSHING, 1" I.D. X 3/4" LG	261837-08			
4	1	WEAR PLATE	285579-01			
5	2	FLAT HEAD SOCKET SCREW, 3/8"-16 X 1-1/4" LG.	900061-5			
6	1	STOP BRACKET	287239-01			
7	2	HEX NUT, THIN (JAM) 3/8"-16	903114-02			
8	2	FLAT HEAD SOCKET SCREW, 1/4"-20 X 1" LG.	900711-05			
9	1	WEAR PLATE	287845-01			
10	2	FLAT WASHER, 1/4"	903412-01			
11	2	NYLON NUT, THIN, 1/4"-20	903132-01			
12	1	FLAT HEAD SOCKET SCREW, 5/16"-18 X 1-1/2" LG.	900712-01			
13	1	FLAT HEAD SOCKET SCREW, 5/16"-18 X 1" LG.	900712-02			

MAXON[®] 11921 Slauson Ave. Santa Fe Springs, CA. 90670 (800) 227-4116 FAX (888) 771-7713

PARTS BREAKDOWN

ALUMINUM PLATFORM (1-PIECE WITH DUAL CART STOPS) - Continued



MAXON[®]

11921 Slauson Ave. Santa Fe Springs, CA. 90670 (800) 227-4116 FAX (888) 771-7713

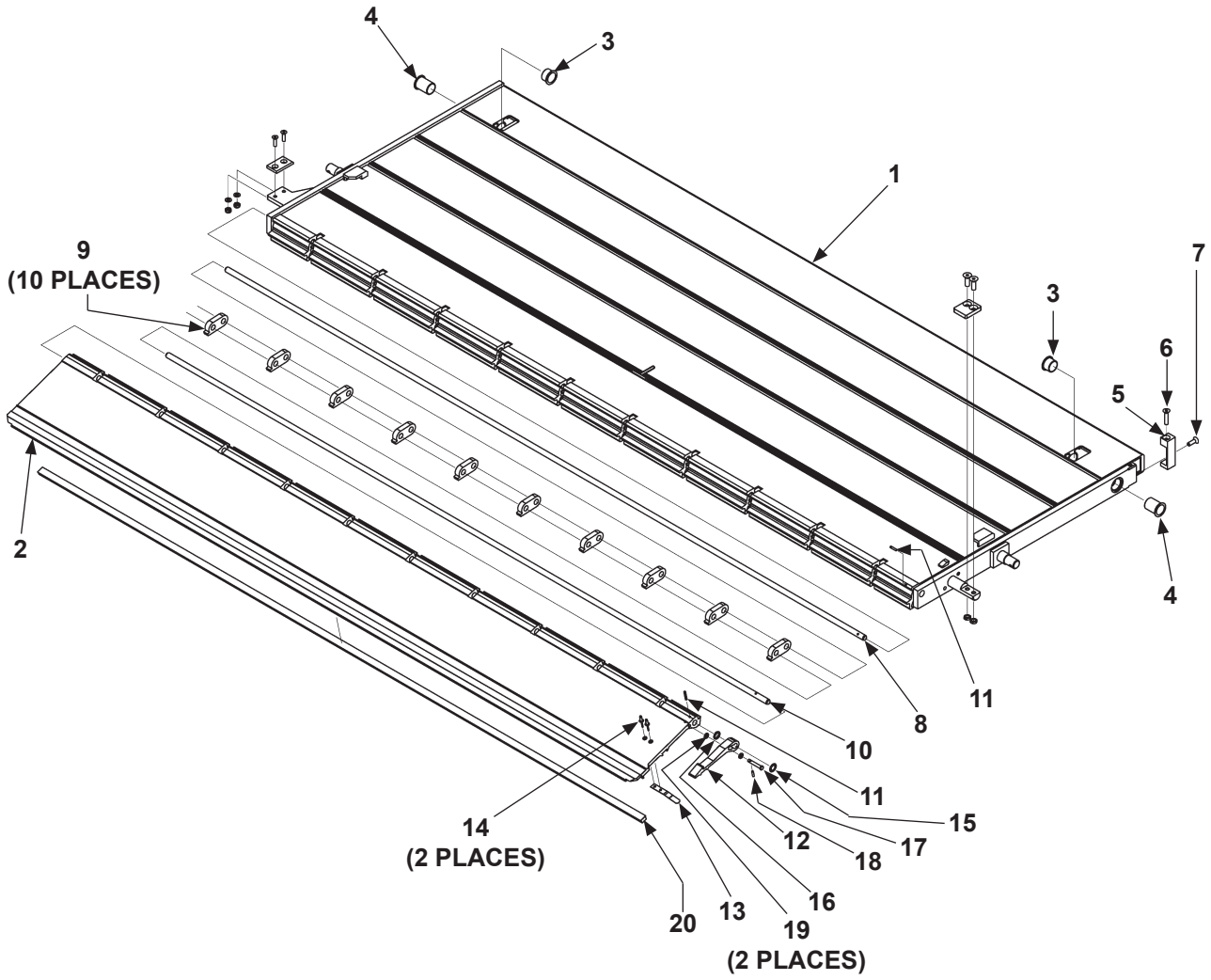
ITEM	QTY.	DESCRIPTION	PART NO.			
			36" DEEP PLATFORM	42" DEEP PLATFORM	48" DEEP PLATFORM	54" DEEP PLATFORM
14	1	CART STOP WELDMENT, 47" LG.	287446-17			
15	6	SPRING, CART STOP	282729-01			
16	6	RIVET, 1/4" X 3/8" LG.	903715-04			
17	2	CATCH BRACKET	287226-01			
18	2	SCREW, BUTTON, 10-24 X 1/2" LG.	900722-03			
19	1	PIN, CART STOP, 44-3/4" LG.	287443-02			
20	1	PLUNGER	287224-01			
21	1	SHOOT BOLT, 1-3/8" LG	288636-01			
22	1	SHOOT BOLT SPRING, 1-3/8" LG.	283957-01			
23	1	PIN, CART STOP, 44-3/4" LG.	287443-02			
24	1	CART STOP WELDMENT, RH, 47" LG.	287446-18			

PARTS BREAKDOWN

ALUMINUM PLATFORM (1-PIECE WITH ALUMINUM RETENTION RAMP)

MAXON®

11921 Slauson Ave. Santa Fe Springs, CA. 90670 (800) 227-4116 FAX (888) 771-7713

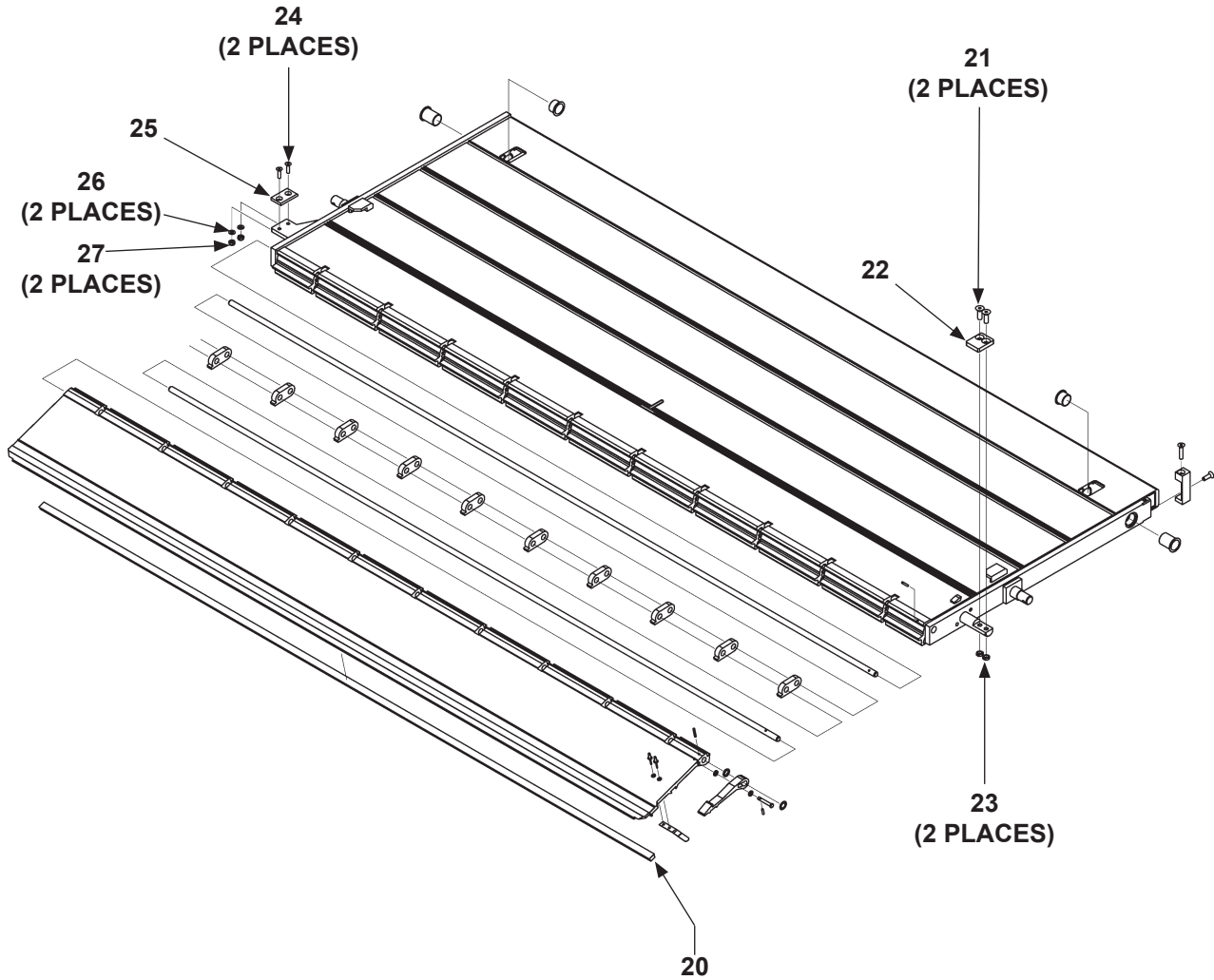


ITEM	QTY.	DESCRIPTION	PART NO.			
			30" DEEP PLATFORM	36" DEEP PLATFORM	42" DEEP PLATFORM	48" DEEP PLATFORM
1	1	ALUMINUM PLATFORM ASSEMBLY, 90", ARR 9"	287816-05	287816-06	287816-07	289292-02
		ALUMINUM PLATFORM ASSEMBLY, 96", ARR 9"	287816-09	287816-10	287816-11	287816-12
		ALUMINUM PLATFORM ASSEMBLY, 90", ARR 9" (MAXGRIP KNURLED SURFACE)	287816-05-401	287816-06-401	287816-07-401	289292-02-401
		ALUMINUM PLATFORM ASSEMBLY, 96", ARR 9" (MAXGRIP KNURLED SURFACE)	287816-09-401	287816-10-401	287816-11-401	287816-12-401
2	1	PLATFORM RAMP, 87-1/8" LG.	267041-14			
		PLATFORM RAMP, 93-1/8" LG.	267041-15			
3	2	PLASTIC FLANGE BUSHING, 1" I.D. X 3/4" LG.	261837-02			
4	2	PLASTIC FLANGE BUSHING, 1" I.D. X 3/4" LG.	261837-08			
5	1	WEAR PLATE	285579-01			
6	2	FLAT HEAD SOCKET SCREW, 3/8"-16 X 1-1/4" LG.	900061-5			
7	1	FLUSH SOCKET SCREW, 5/16"-18 X 1" LG.	900712-02			
8	1	HINGE ROD, 1/2" DIA X 83-5/16" LG.	267045-19			
9	10	FLIPOVER RAMP HINGE, 1/2" LG.	311022-10			
10	1	HINGE ROD, 1/2" DIA X 83-1/2" LG.	267045-18			
11	2	ROLL PIN, 5/32" X 1" LG.	905007-07			
12	1	RETENTION RAMP HOOK	311038-11			
13	1	RETENTION RAMP HOOK SPRING	267326-01			
14	2	RIVET, 3/16" X 7/16" LG.	904005-1			
15	1	RETAINING RING, SELF-LOCKING, 1/2"	903420-01			
16	1	NYLON WASHER, 1/2" I.D. X 1/16" THICK	903413-02			
17	1	CLEVIS PIN, 1/4" X 1-5/8" LG.	283951-01			
18	1	ROLL PIN, 5/32" X 5/8" LG.	905007-03			
19	2	NYLON WASHER, 1/4" I.D. X 5/8" THICK	903421-02			

PARTS BREAKDOWN

ALUMINUM PLATFORM (1-PIECE WITH ALUMINUM RETENTION RAMP)

- Continued



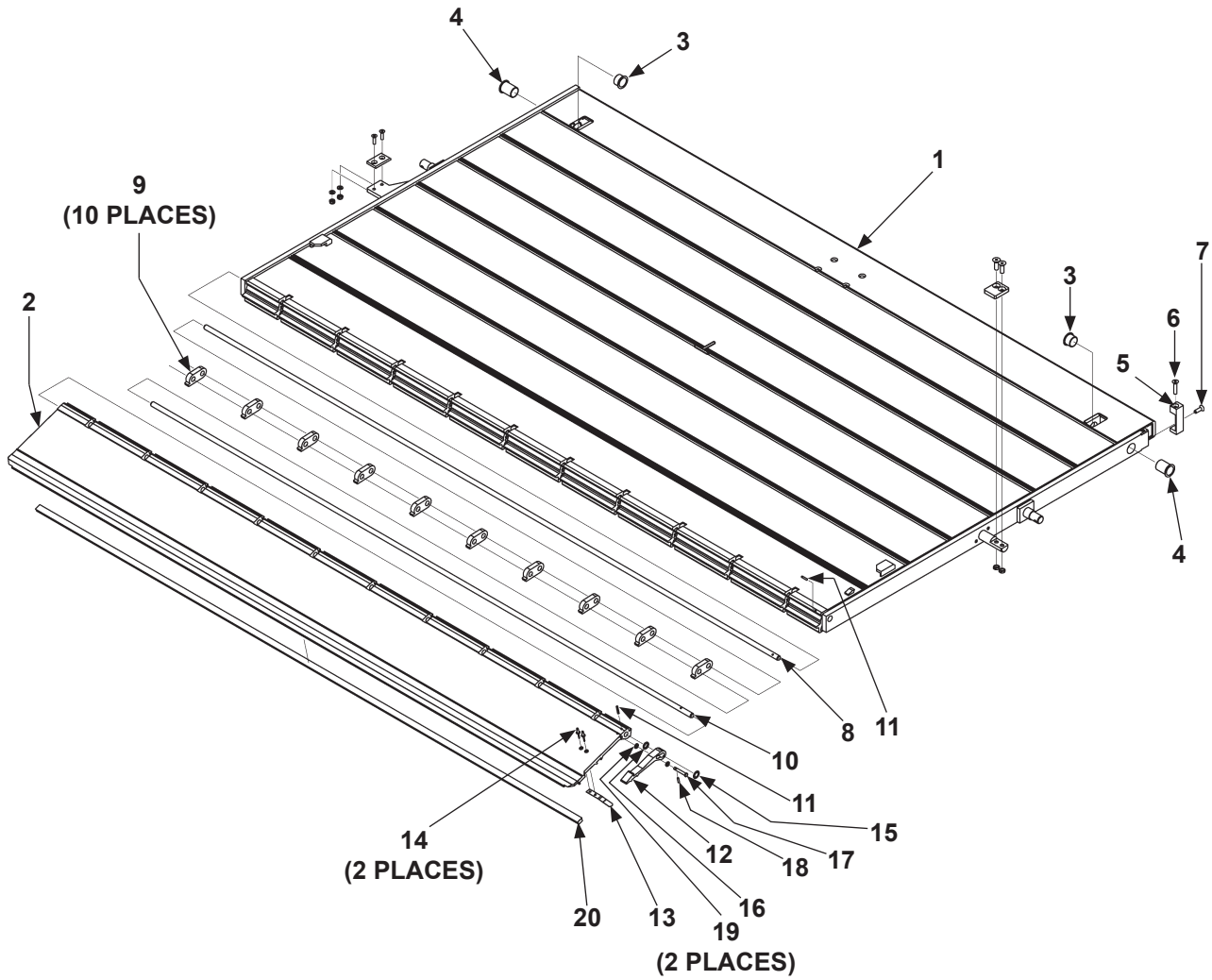
MAXON[®]

11921 Slauson Ave. Santa Fe Springs, CA. 90670 (800) 227-4116 FAX (888) 771-7713

ITEM	QTY.	DESCRIPTION	PART NO.			
			30" DEEP PLATFORM	36" DEEP PLATFORM	42" DEEP PLATFORM	48" DEEP PLATFORM
20	1	BUMPER EXTRUSION, 9/16" X 3/8" X 83-3/4" LG.	905318-09			
		BUMPER EXTRUSION, 9/16" X 1/4" X 89-3/4" LG.	905318-10			
21	2	FLAT HEAD SOCKET SCREW, 3/8"-16 X 1-1/4" LG.	900061-5			
22	1	STOP BRACKET	287239-01			
23	2	HEX NUT, THIN (JAM) 3/8"-16	903114-02			
24	2	FLAT HEAD SOCKET SCREW, 1/4"-20 X 1" LG.	900711-05			
25	1	CATCH BRACKET	287226-01			
26	2	FLAT WASHER, 1/4"	903412-01			
27	2	NYLON NUT, THIN, 1/4"-20	903132-01			

PARTS BREAKDOWN

ALUMINUM PLATFORM (1-PIECE WITH ALUMINUM RETENTION RAMP)- Continued



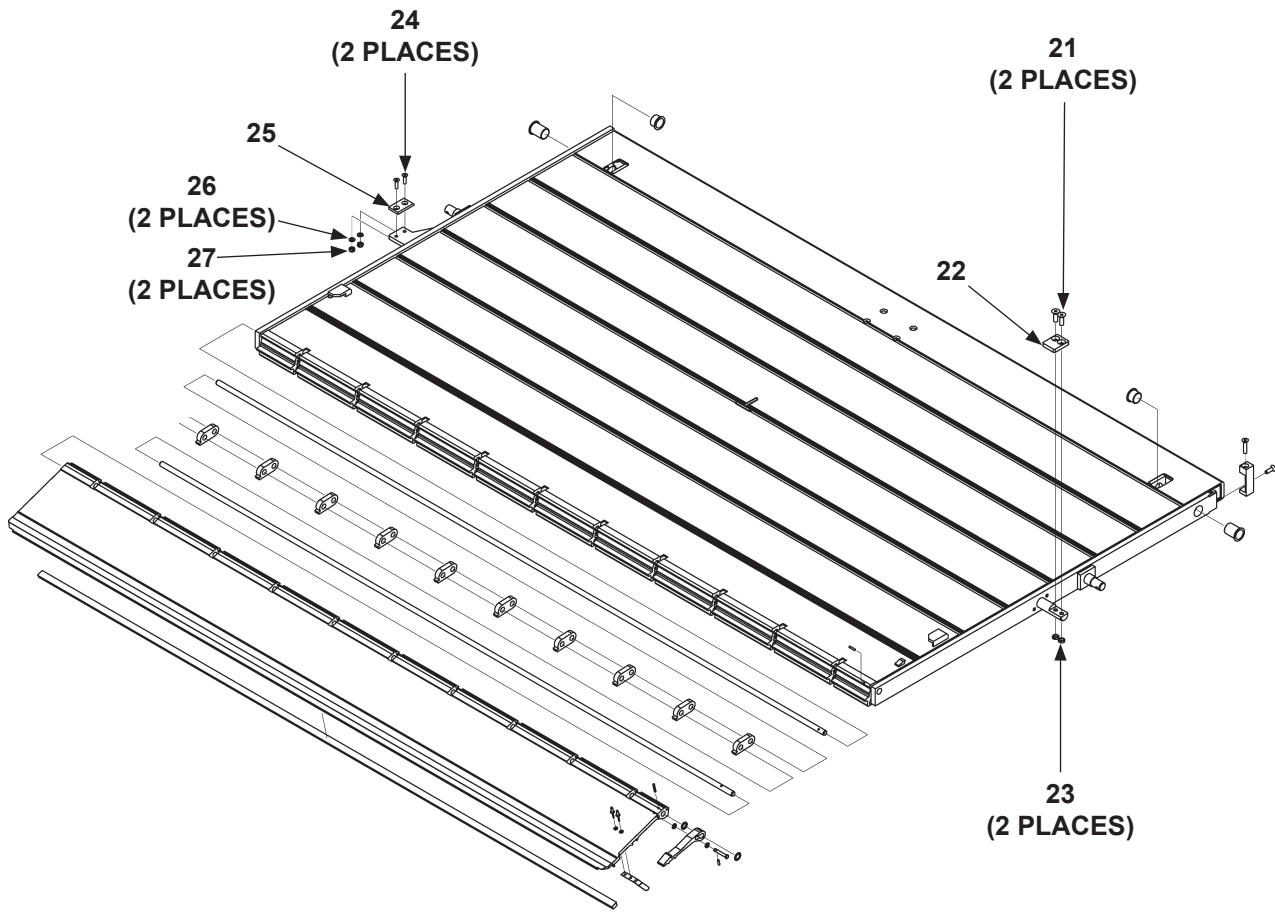
MAXON®

11921 Slauson Ave. Santa Fe Springs, CA. 90670 (800) 227-4116 FAX (888) 771-7713

ITEM	QTY.	DESCRIPTION	PART NO.			
			54" DEEP PLATFORM	60" DEEP PLATFORM	66" DEEP PLATFORM	72" DEEP PLATFORM
1	1	ALUMINUM PLATFORM ASSEMBLY, 90", ARR 9"	287220-29	287220-30	287220-31	287220-32
		ALUMINUM PLATFORM ASSEMBLY, 96", ARR 9"	287220-33	287220-34	287220-35	287220-36
2	1	PLATFORM RAMP, 84-1/2" LG.	267041-26			
		PLATFORM RAMP, 90-1/2" LG.	267041-27			
3	2	PLASTIC FLANGE BUSHING, 1" I.D. X 3/4" LG.	261837-02			
4	2	PLASTIC FLANGE BUSHING, 1" I.D. X 3/4" LG.	261837-08			
5	1	WEAR PLATE	287845-01			
6	2	FLAT HEAD SOCKET SCREW, 3/8"-16 X 1-1/4" LG.	900061-5			
7	1	FLUSH SOCKET SCREW, 5/16"-18 X 1" LG.	900712-02			
8	1	HINGE ROD, 1/2" DIA X 83-5/16" LG.	267045-19			
9	10	FLIPOVER RAMP HINGE, 1/2" LG.	311022-10			
10	1	HINGE ROD, 1/2" DIA X 83-1/2" LG.	267045-18			
11	2	ROLL PIN, 5/32" X 1" LG.	905007-07			
12	1	RETENTION RAMP HOOK	311038-11			
13	1	RETENTION RAMP HOOK SPRING	267326-01			
14	2	RIVET, 3/16" X 7/16" LG.	904005-1			
15	1	RETAINING RING, SELF-LOCKING, 1/2"	903420-01			
16	1	NYLON WASHER, 1/2" I.D. X 1/16" THICK	903413-02			
17	1	CLEVIS PIN, 1/4" X 1-5/8" LG.	283951-01			
18	1	ROLL PIN, 5/32" X 5/8" LG.	905007-03			
19	2	NYLON WASHER, 1/4" I.D. X 5/8" THICK	903421-02			
20	1	BUMPER EXTRUSION, 9/16" X 3/8" X 81-3/8" LG.	905318-18			
		BUMPER EXTRUSION, 9/16" X 3/8" X 87-3/8" LG.	905318-19			

PARTS BREAKDOWN

ALUMINUM PLATFORM (1-PIECE WITH ALUMINUM RETENTION RAMP) - Continued

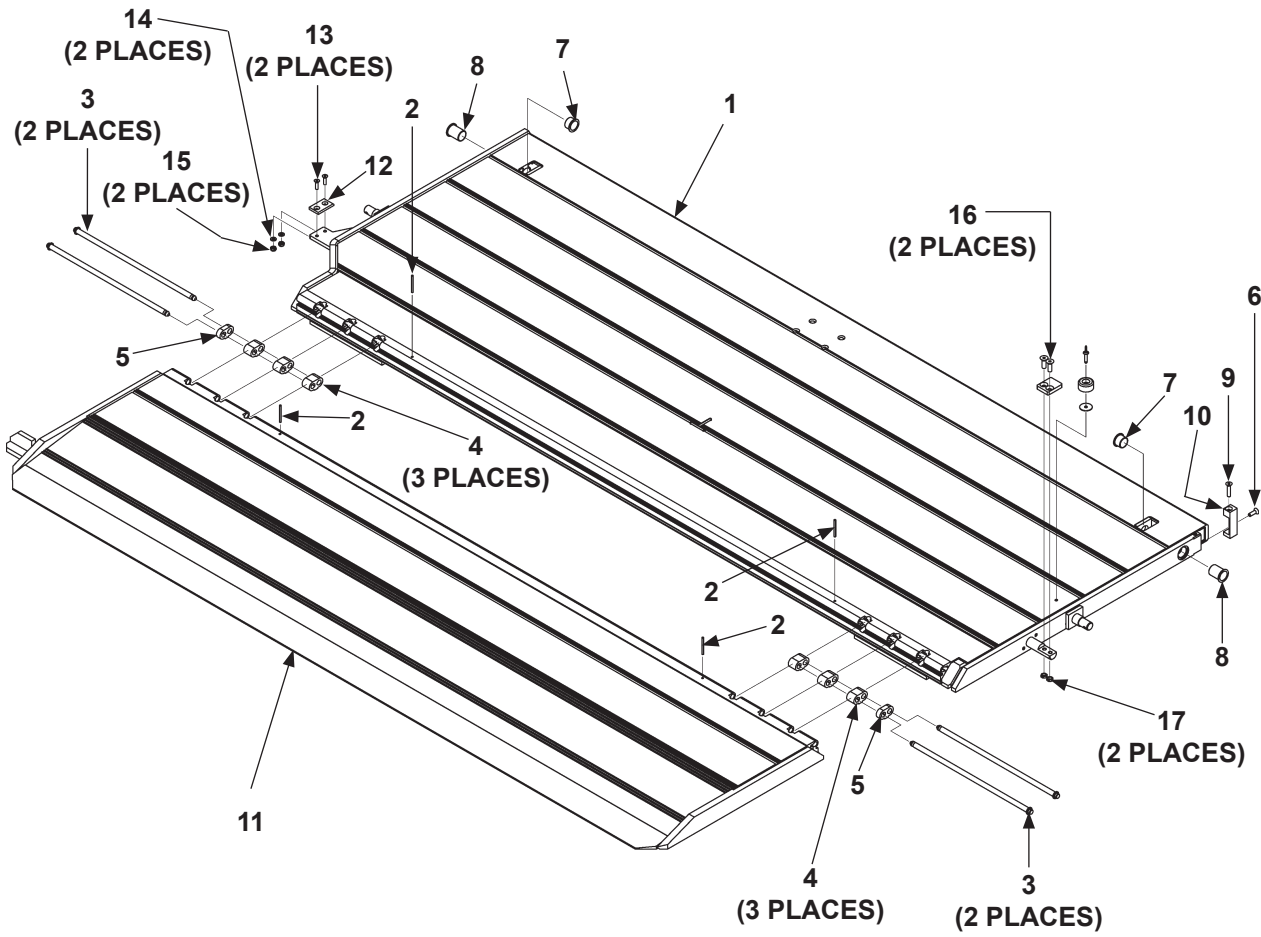


MAXON[®]

11921 Slauson Ave. Santa Fe Springs, CA. 90670 (800) 227-4116 FAX (888) 771-7713

ITEM	QTY.	DESCRIPTION	PART NO.			
			54" DEEP PLATFORM	60" DEEP PLATFORM	66" DEEP PLATFORM	72" DEEP PLATFORM
21	2	FLAT HEAD SOCKET SCREW, 3/8"-16 X 1-1/4" LG.	900061-5			
22	1	STOP BRACKET	287239-01			
23	2	HEX NUT, THIN (JAM) 3/8"-16	903114-02			
24	2	FLAT HEAD SOCKET SCREW, 1/4"-20 X 1" LG.	900711-05			
25	1	CATCH BRACKET	287226-01			
26	2	FLAT WASHER, 1/4"	903412-01			
27	2	NYLON NUT, THIN, 1/4"-20	903132-01			

PARTS BREAKDOWN PLATFORM & FLIPOVER ASSEMBLY



MAXON[®]

11921 Slauson Ave. Santa Fe Springs, CA. 90670 (800) 227-4116 FAX (888) 771-7713

ITEM	QTY.	DESCRIPTION	PART NO.			
			42" DEEP (30+12+12)	48" DEEP (36+12+12)	48" DEEP (30+18+6)	54" DEEP (36+18+6)
1	1	ALUMINUM PLATFORM & FLIPOVER ASSEMBLY, 86"	287450-35	287450-34	287537-35	287537-34
		ALUMINUM PLATFORM & FLIPOVER ASSEMBLY, 92"	287450-37	287450-36	287537-37	287537-36
		ALUMINUM PLATFORM & FLIPOVER ASSEMBLY, 86" (MAXGRIP KNURLED SURFACE)	287450-35-401	287450-34-401	287537-35-401	287537-34-401
		ALUMINUM PLATFORM & FLIPOVER ASSEMBLY, 92" (MAXGRIP KNURLED SURFACE)	287450-37-401	287450-36-401	287537-37-401	287537-36-401
2	4	ROLL PIN, 3/16" I.D. X 2" LG.	904719-17			
3	4	HINGE PIN, 16-3/4"	285963-02			
4	6	LINK SPACER, 1" LG.	311046-10			
5	2	LINK SPACER, 1/2" LG	311046-11			
6	1	SOCKET SCREW, FLAT, 5/16"-18 X 1" LG.	900712-02			
7	2	FLANGE BUSHING, PLASTIC, 1" I.D. X 3/4" LG.	261837-02			
8	2	FLANGE BUSHING, PLASTIC, 1" I.D. X 1-1/2" LG.	261837-08			
9	1	SOCKET SCREW, FLAT, 5/16"-18 X 1-1/2" LG	900712-01			
10	1	WEAR PLATE	285579-01			
11	1	FLIPOVER WELDMENT, 85-1/8" X 24" (12+12)	287448-26			
		FLIPOVER WELDMENT, 91-1/8" X 24" (12+12)	287448-27			
		FLIPOVER WELDMENT, 85-1/8" X 24" (18+6)	287540-26			
		FLIPOVER WELDMENT, 91-1/8" X 24" (18+6)	287540-27			
12	1	CATCH BRACKET	287226-01			
13	2	FLAT HEAD SOCKET SCREW, 1/4"-20 X 1" LG.	900711-05			
14	2	FLAT WASHER, 1/4"	903412-01			
15	2	LOCK NUT, 1/4"-20, THIN, NYLON	903132-01			
16	2	FLAT HEAD SOCKET SCREW, 3/8"-16 X 1-1/4" LG.	900061-5			

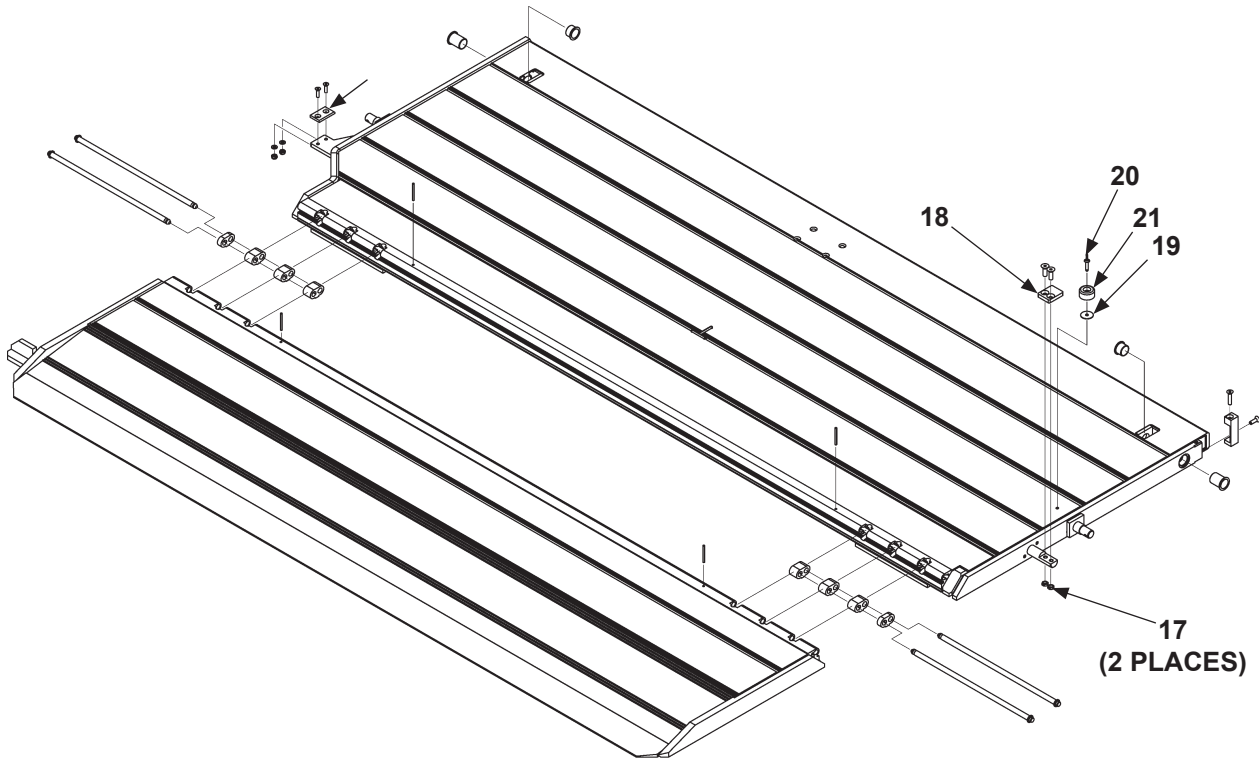
MAXON® 11921 Slauson Ave. Santa Fe Springs, CA. 90670 (800) 227-4116 FAX (888) 771-7713

PARTS BREAKDOWN

PLATFORM & FLIPOVER ASSEMBLY

MAXON[®]

11921 Slauson Ave. Santa Fe Springs, CA. 90670 (800) 227-4116 FAX (888) 771-7713

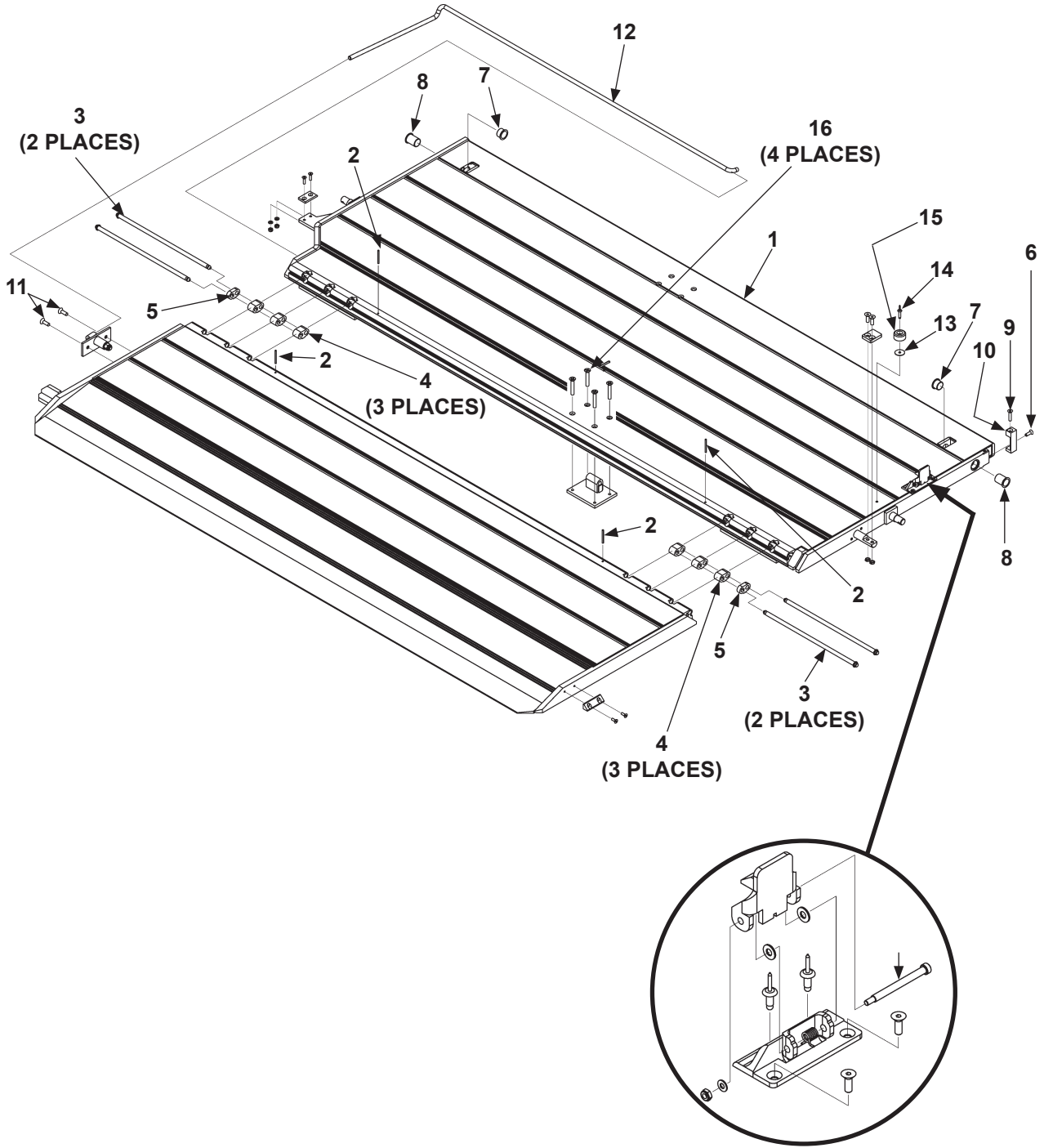


ITEM	QTY.	DESCRIPTION	PART NO.			
			42" DEEP (30+12+12)	48" DEEP (36+12+12)	48" DEEP (30+18+6)	54" DEEP (36+18+6)
17	1	FENDER WASHER, 9/32" I.D. X 1-1/4" O.D	903409-07			
18	1	STOP BRACKET	287239-01			
19	1	FENDER WASHER, 9/32" I.D. X 1-1/4" O.D	903409-07			
20	1	RIVET, 1/4" I.D. X 1-7/32" LG.	903705-06			
21	1	BUMPER CYLINDER W/WASHER, 1-1/2" I.D. X 3/4" LG.	905314-05			

MAXON[®] 11921 Slauson Ave. Santa Fe Springs, CA. 90670 (800) 227-4116 FAX (888) 771-7713

PARTS BREAKDOWN

PLATFORM & FLIPOVER ASSEMBLY (TORSION BAR)



MAXON®

11921 Slauson Ave. Santa Fe Springs, CA. 90670 (800) 227-4116 FAX (888) 771-7713

ITEM	QTY.	DESCRIPTION	PART NO.			
			54" DEEP (36+18+12)	63" DEEP (39+24+12)	60" DEEP (36+24+6)	69" DEEP (39+30+6)
1	1	ALUMINUM PLATFORM & FLIPOVER ASSEMBLY, 86"	287450-15	287450-01	287537-15	287537-01
		ALUMINUM PLATFORM & FLIPOVER ASSEMBLY, 86" (MAXGRIP KNURLED SURFACE)	287450-15-401	287450-01-401	287537-15-401	287537-01-401
2	4	ROLL PIN, 3/16" I.D. X 2" LG.	904719-17			
3	4	HINGE PIN, 16-3/4"	285963-02			
4	6	LINK SPACER, 1" LG.	311046-10			
5	2	LINK SPACER, 1/2" LG	311046-11			
6	1	SOCKET SCREW, FLAT, 5/16"-18 X 1" LG.	900712-02			
7	2	FLANGE BUSHING, PLASTIC, 1" I.D. X 3/4" LG.	261837-02			
8	2	FLANGE BUSHING, PLASTIC, 1" I.D. X 1-1/2" LG.	261837-08			
9	1	SOCKET SCREW, FLAT, 5/16"-18 X 1-1/2" LG.	900712-01			
10	1	WEAR PLATE	285579-01			
11	2	SOCKET SCREW, FLAT, 3/8"-16 X 1-1/4" LG.	900061-5			
12	1	TORSION BAR	285765-01			
13	1	FENDER WASHER, 9/32" I.D. X 1-1/4" O.D.	903409-07			
14	1	RIVET, 1/4" I.D. X 1-7/32" LG.	903705-06			
15	1	BUMPER CYLINDER W/WASHER, 1-1/2" I.D. X 3/4" LG.	905314-05			
16	4	SOCKET SCREW, FLAT, 1/4"-20 X 3/4" LG.	900061-10			

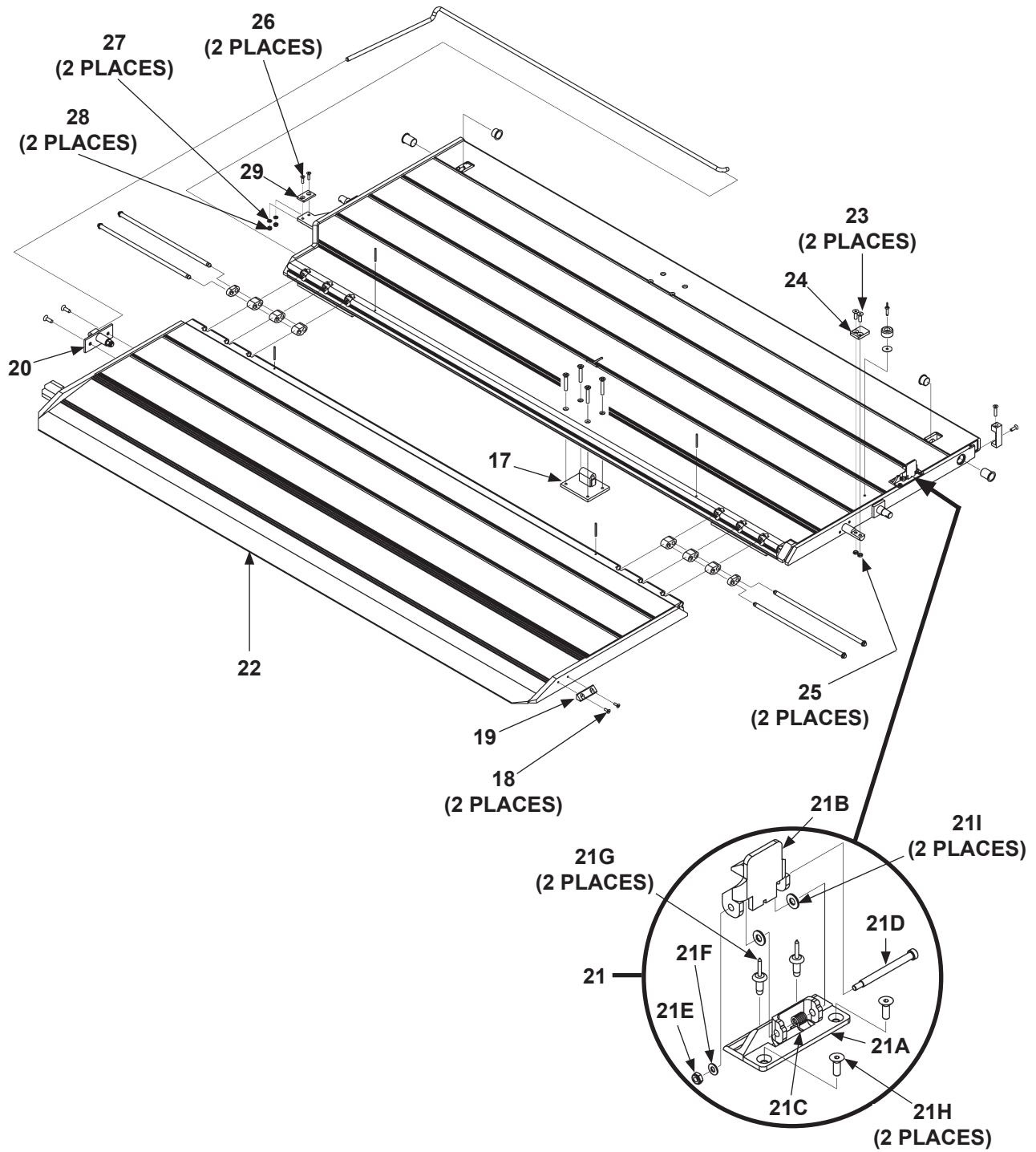
MAXON® 11921 Slauson Ave. Santa Fe Springs, CA. 90670 (800) 227-4116 FAX (888) 771-7713

MAXON[®]

11921 Slauson Ave. Santa Fe Springs, CA. 90670 (800) 227-4116 FAX (888) 771-7713

PARTS BREAKDOWN

PLATFORM & FLIPOVER ASSEMBLY (WITH TORSION BAR) - Continued



ITEM	QTY.	DESCRIPTION	PART NO.			
			54" DEEP (36+18+12)	63" DEEP (39+24+12)	60" DEEP (36+24+6)	69" DEEP (39+30+6)
17	1	TORSION BAR HOLDER WELDMENT	285728-01			
18	2	SOCKET SCREW, FLAT, 1/4"-20 X 3/4" LG.	900711-03			
19	1	FLIPOVER LOCK BAR	285877-01			
20	1	TORSION BAR BRACKET ASSEMBLY	285595-01			
21	1	LATCH ASSEMBLY (PLATFORM & FLIPOVER)	285882-01			
21A	1	LATCH SUPPORT WELDMENT	287241-01			
21B	1	LOCK BAR WELDMENT	285881-01			
21C	1	TORSION SPRING	282883-01			
21D	1	SHOULDER SCREW, 1/4" X 2-12" LG.	900724-12			
21E	1	LOCK NUT, #10-14, NYLON, THIN	903129-01			
21F	1	FLAT WASHER, #10	903444-01			
21G	2	RIVET, 1/4" X 3/8" LG.	903715-04			
21H	2	SOCKET HEAD SCREW, FLAT, 1/4"-20 X 3/4" LG.	900711-03			
21I	2	FLAT WASHER, 1/4"	903412-01			
22	1	FLIPOVER WELDMENT, 85-1/8"	287448-17	287448-01	287540-17	287540-01
23	4	FLAT HEAD SOCKET SCREW, 3/8"-16 X 1-1/4" LG.	900061-5			
24	1	STOP BRACKET	287239-01			
25	2	HEX NUT, THIN (JAM) 3/8"-16	903114-02			
26	2	FLAT HEAD SOCKET SCREW, 1/4"-20 X 1" LG.	900711-05			
27	2	FLAT WASHER, 1/4"	903412-01			
28	2	NYLON NUT, THIN, 1/4"-20	903132-01			
29	1	CATCH BRACKET	287226-01			

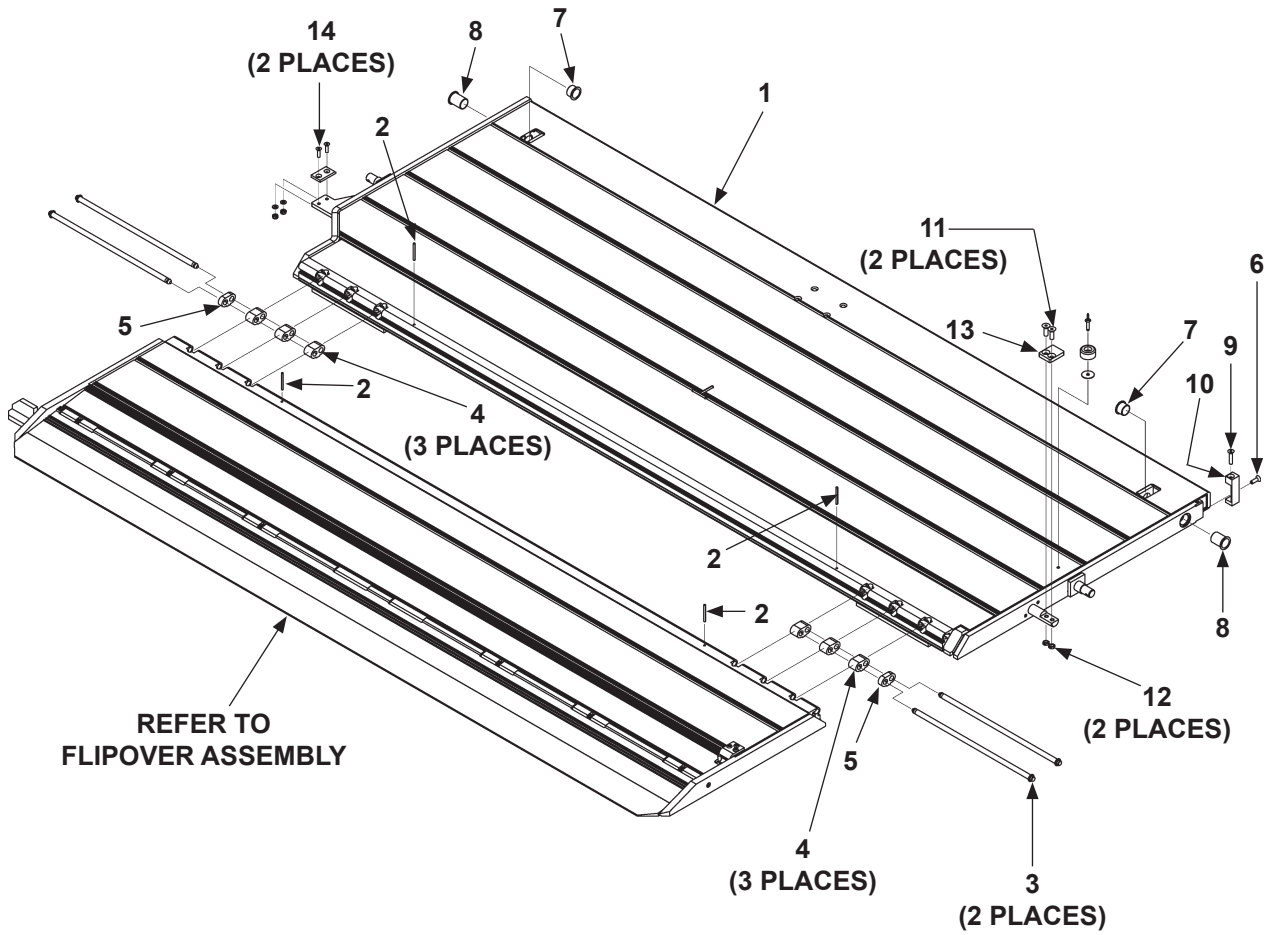
MAXON[®] 11921 Slauson Ave. Santa Fe Springs, CA. 90670 (800) 227-4116 FAX (888) 771-7713

MAXON[®]

11921 Slauson Ave. Santa Fe Springs, CA. 90670 (800) 227-4116 FAX (888) 771-7713

PARTS BREAKDOWN

PLATFORM & FLIPOVER ASSEMBLY WITH CART STOPS

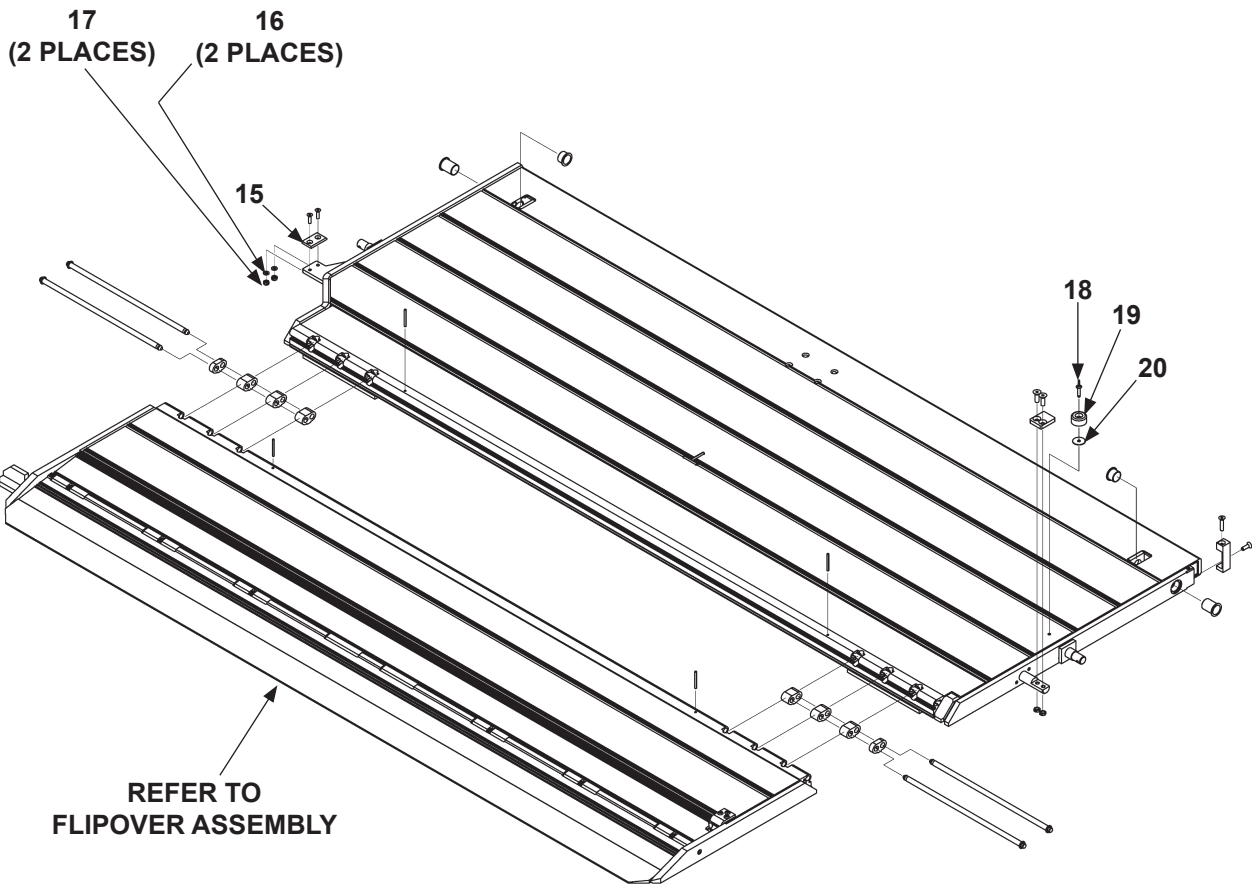


ITEM	QTY.	DESCRIPTION	PART NO.			
			42" DEEP (30+12+12)	48" DEEP (30+18+6)	48" DEEP (36+12+12)	54" DEEP (36+18+6)
1	1	ALUMINUM PLATFORM AND FLIPOVER ASSEMBLY, SINGLE CART STOPS (SCS), 86"	287450-29	287537-29	287450-28	287537-28
		ALUMINUM PLATFORM AND FLIPOVER ASSEMBLY, DUAL CART STOPS (DCS), 86"	287450-23	287537-23	287450-22	287537-22
		ALUMINUM PLATFORM AND FLIPOVER ASSEMBLY, (SCS), 92"	287450-31	287537-31	287450-30	287537-30
		ALUMINUM PLATFORM AND FLIPOVER ASSEMBLY, (DCS), 92"	287450-25	287537-25	287450-24	287537-24
		ALUMINUM PLATFORM AND FLIPOVER ASSEMBLY, (SCS), 86" (MAXGRIP KNURLED SURFACE)	287450-29-401	287537-29-401	287450-28-401	287537-28-401
		ALUMINUM PLATFORM AND FLIPOVER ASSEMBLY, (DCS), 86" (MAXGRIP KNURLED SURFACE)	287450-23-401	287537-23-401	287450-22-401	287537-22-401
		ALUMINUM PLATFORM AND FLIPOVER ASSEMBLY, (SCS), 92" (MAXGRIP KNURLED SURFACE)	287450-31-401	287537-31-401	287450-30-401	287537-30-401
		ALUMINUM PLATFORM AND FLIPOVER ASSEMBLY, (DCS), 92" (MAXGRIP KNURLED SURFACE)	287450-25-401	287537-25-401	287450-24-401	287537-24-401
2	4	ROLL PIN, 3/16" I.D. X 2" LG	904719-17			
3	4	HINGE PIN	282366-02			
4	6	LINK SPACER, 1" LG.	311046-10			
5	2	LINK SPACER, 1/2" LG.	311046-11			
6	1	SOCKET SCREW, FLAT, 5/16"-18 X 1" LG.	900712-02			
7	2	FLANGE BUSHING, PLASTIC, 1" I.D. X 3/4" LG.	261837-02			
8	2	FLANGE BUSHING, PLASTIC, 1" I.D. X 1-1/2" LG.	261837-08			
9	1	SOCKET SCREW, FLAT, 5/16"-18 X 1-1/2" LG.	900712-01			
10	1	WEAR PLATE	285579-01			
11	2	SCREW, HEX CAP, 3/8"-16 X 1" LG.	900764-06			
12	2	HEX NUT, THIN (JAM) 3/8"-16	903114-02			
13	1	STOP BRACKET	287239-01			
14	2	FLAT HEAD SOCKET SCREW, 1/4"-20 X 1" LG.	900711-05			

MAXON® 11921 Slauson Ave. Santa Fe Springs, CA. 90670 (800) 227-4116 FAX (888) 771-7713

PARTS BREAKDOWN

PLATFORM & FLIPOVER ASSEMBLY WITH CART STOPS - Continued



MAXON[®]

11921 Slauson Ave. Santa Fe Springs, CA. 90670 (800) 227-4116 FAX (888) 771-7713

ITEM	QTY.	DESCRIPTION	PART NO.			
			42" DEEP (30+12+12)	48" DEEP (30+18+6)	48" DEEP (36+12+12)	54" DEEP (36+18+6)
15	1	WEAR BRACKET	287256-01			
16	2	FLAT WASHER, 1/4"	903412-01			
17	2	LOCK NUT, 1/4"-20, THIN, NYLON	903132-01			
18	1	RIVET, 1/4" I.D. X 1-7/32" LG.	903705-06			
19	1	BUMPER CYLINDER W/WASHER, 1-1/2" I.D. X 3/4" LG.	905314-05			
20	1	FENDER WASHER, 9/32" I.D. X 1-1/4" O.D	903409-07			

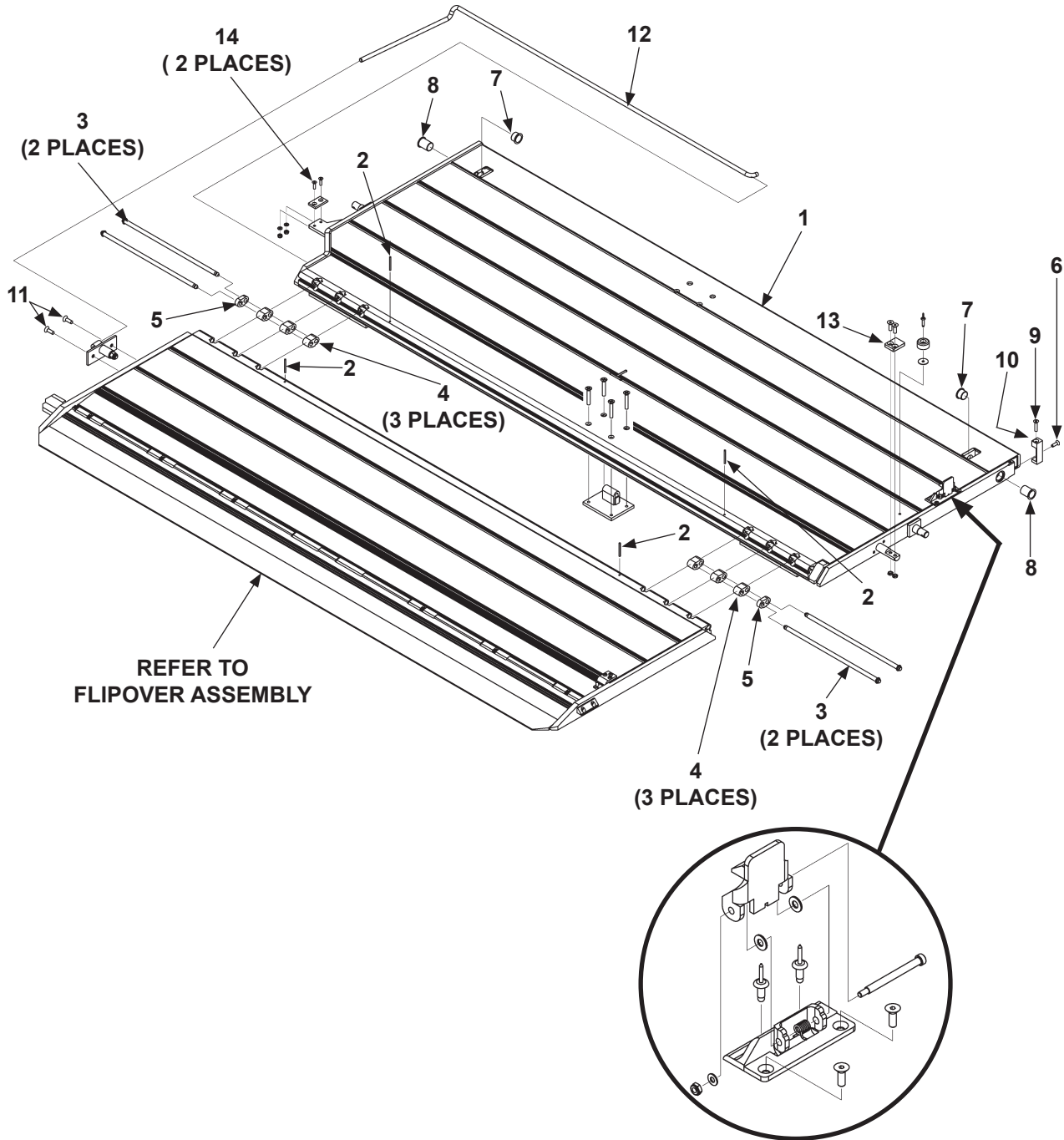
MAXON[®] 11921 Slauson Ave. Santa Fe Springs, CA. 90670 (800) 227-4116 FAX (888) 771-7713

MAXON[®]

11921 Slauson Ave. Santa Fe Springs, CA. 90670 (800) 227-4116 FAX (888) 771-7713

PARTS BREAKDOWN

PLATFORM & FLIPOVER ASSEMBLY (WITH CARTS STOPS AND TORSION BAR)



ITEM	QTY.	DESCRIPTION	PART NO.			
			54" DEEP (36+18+12)	60" DEEP (36+24+6)	66" DEEP (42+24+12)	72" DEEP (42+30+6)
1	1	ALUMINUM PLATFORM AND FLIPOVER ASSEMBLY, SINGLE CART STOPS (SCS), 86"	287450-09	287537-09	287450-12	287537-12
		ALUMINUM PLATFORM AND FLIPOVER ASSEMBLY, DUAL CART STOPS (DCS), 86"	287450-03	287537-03	287450-06	287537-06
		ALUMINUM PLATFORM AND FLIPOVER ASSEMBLY, (SCS), 92"	287450-10	287537-10	287450-13	287537-13
		ALUMINUM PLATFORM AND FLIPOVER ASSEMBLY, (DCS), 92"	287450-04	287537-04	287450-07	287537-07
		ALUMINUM PLATFORM AND FLIPOVER ASSEMBLY, (SCS), 86" (MAXGRIP KNURLED SURFACE)	287450-09-401	287537-09-401	287450-12-401	287537-12-401
		ALUMINUM PLATFORM AND FLIPOVER ASSEMBLY, (DCS), 86" (MAXGRIP KNURLED SURFACE)	287450-03-401	287537-03-401	287450-06-401	287537-06-401
		ALUMINUM PLATFORM AND FLIPOVER ASSEMBLY, (SCS), 92" (MAXGRIP KNURLED SURFACE)	287450-10-401	287537-10-401	287450-13-401	287537-13-401
		ALUMINUM PLATFORM AND FLIPOVER ASSEMBLY, (DCS), 92" (MAXGRIP KNURLED SURFACE)	287450-04-401	287537-04-401	287450-07	287537-07-401
2	4	ROLL PIN, 3/16" I.D. X 2" LG	904719-17			
3	4	HINGE PIN	282366-02			
4	6	LINK SPACER, 1" LG.	311046-10			
5	2	LINK SPACER, 1/2" LG.	311046-11			
6	1	SOCKET SCREW, FLAT, 5/16"-18 X 1" LG.	900712-02			
7	2	FLANGE BUSHING, PLASTIC, 1" I.D. X 3/4" LG.	261837-02			
8	2	FLANGE BUSHING, PLASTIC, 1" I.D. X 1-1/2" LG.	261837-08			
9	1	SOCKET SCREW, FLAT, 5/16"-18 X 1-1/2" LG.	900712-01			
10	1	WEAR PLATE	285579-01			
11	2	SCREW, HEX CAP, 3/8"-16 X 1-1/4" LG.	900061-5			
12	2	TORSION BAR	285765-01			
13	1	STOP BRACKET	287239-01			
14	2	FLAT HEAD SOCKET SCREW, 1/4"-20 X 1" LG.	900711-05			

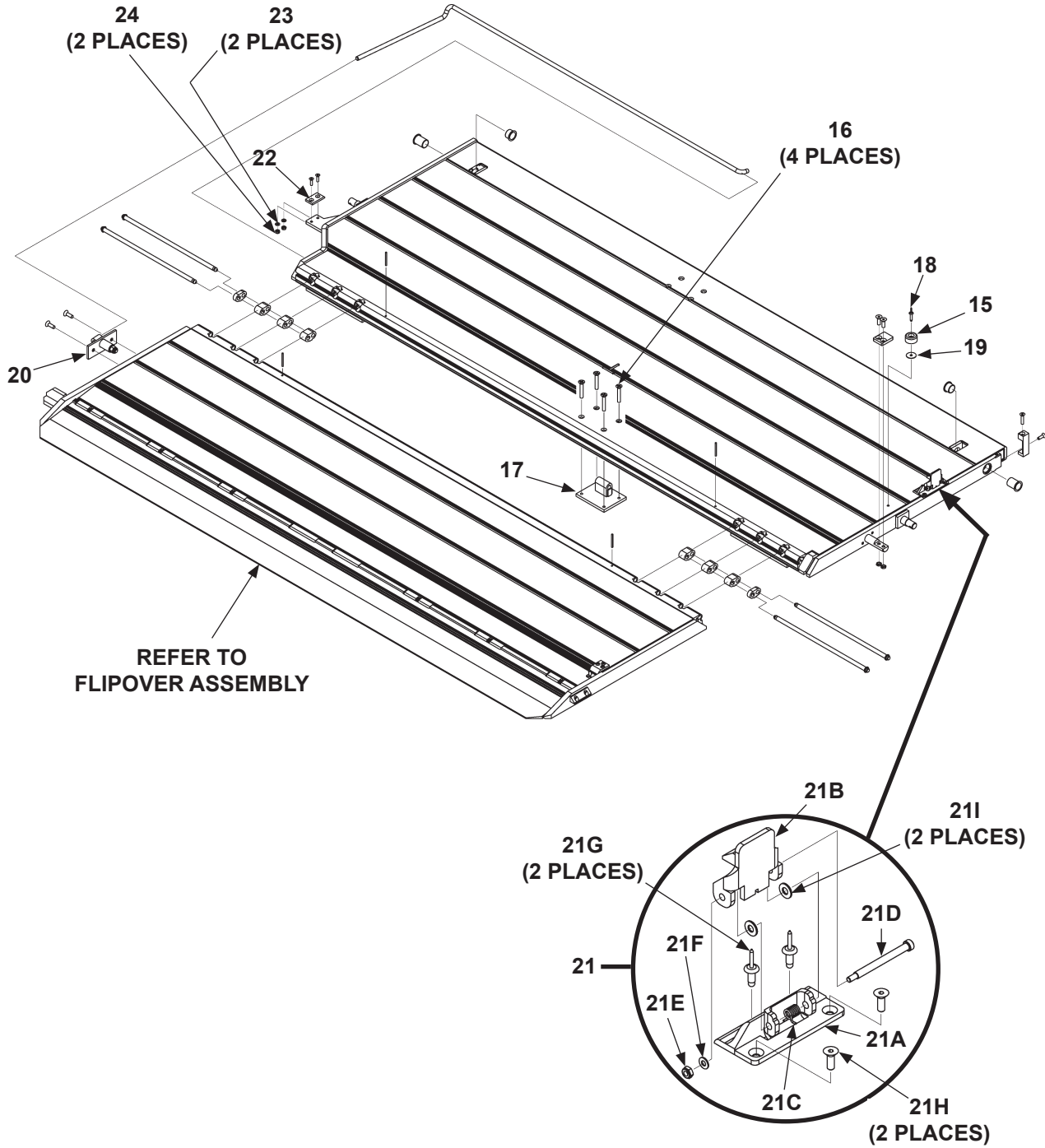
MAXON[®] 11921 Slauson Ave. Santa Fe Springs, CA. 90670 (800) 227-4116 FAX (888) 771-7713

MAXON®

11921 Slauson Ave. Santa Fe Springs, CA. 90670 (800) 227-4116 FAX (888) 771-7713

PARTS BREAKDOWN

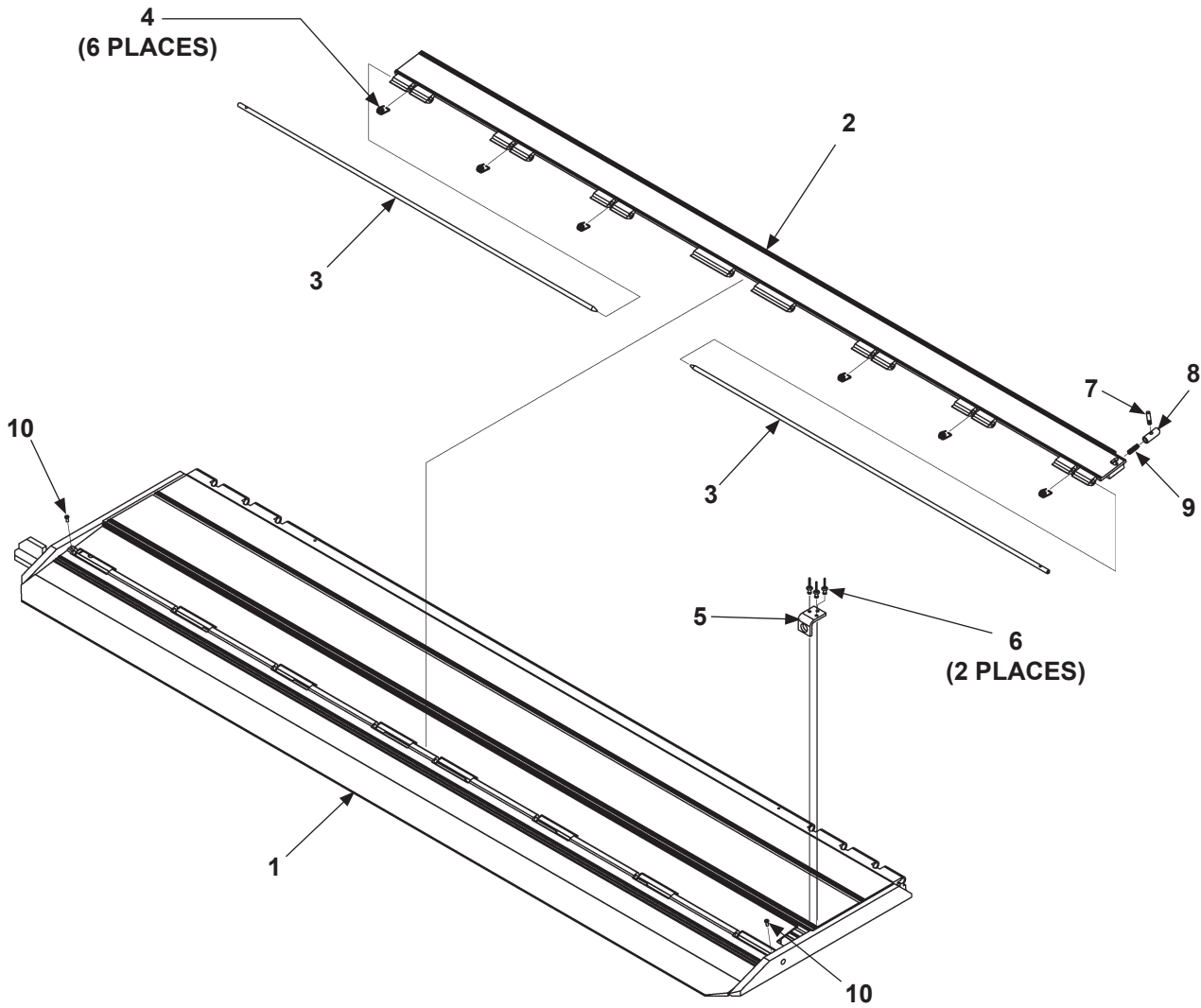
PLATFORM & FLIPOVER ASSEMBLY (WITH CARTS STOPS AND TORSION BAR) - Continued



ITEM	QTY.	DESCRIPTION	PART NO.			
			54" DEEP (36+18+12)	60" DEEP (36+24+6)	66" DEEP (42+24+12)	72" DEEP (42+30+6)
15	1	BUMPER CYLINDER WITH WASHER, 1-1/2" I.D. X 3/4" LG.	905314-05			
16	4	SOCKET SCREW, FLAT, 3/8"-16 X 2-1/2" LG.	900061-10			
17	1	TORSION BAR HOLDER WELDMENT	285728-01			
18	1	RIVET, 1/4" I.D. X 1-7/32" LG.	903705-06			
19	1	FENDER WASHER, 9/32" I.D. X 1-1/4" O.D	903409-07			
20	1	TORSION BAR BRACKET ASSEMBLY	285595-01			
21	1	LATCH ASSEMBLY (PLATFORM & FLIPOVER)	285882-01			
21A	1	LATCH SUPPORT WELDMENT	287241-01			
21B	1	LOCK BAR WELDMENT	285881-01			
21C	1	TORSION SPRING	282883-01			
21D	1	SHOULDER SCREW, 1/4" X 2-12" LG.	900724-12			
21E	1	LOCK NUT, #10-14, NYLON, THIN	903129-01			
21F	2	FLAT WASHER, #10	903444-01			
21G	2	RIVET, 1/4" X 3/8" LG.	903715-04			
21H	2	SOCKET HEAD SCREW, FLAT, 1/4"-20 X 3/4" LG.	900711-03			
21I		FLAT WASHER, 1/4"	903412-01			
22	1	WEAR BRACKET	287256-01			
23	2	FLAT WASHER, 1/4"	903412-01			
24	2	LOCK NUT, 1/4"-20, THIN, NYLON	903132-01			

PARTS BREAKDOWN

FLIPOVER ASSEMBLY (WITH SINGLE CART STOP)



MAXON[®]

11921 Slauson Ave. Santa Fe Springs, CA. 90670 (800) 227-4116 FAX (888) 771-7713

ITEM	QTY.	PART NO.	DESCRIPTION
1	1	287539-17	FLIPOVER ASSEMBLY 85-1/8" X 24" (18+6), SCS
		287449-17	FLIPOVER ASSEMBLY 85-1/8" X 24" (12+12), SCS
		287539-18	FLIPOVER ASSEMBLY 91-1/8" X 24" (18+6), SCS
		287449-18	FLIPOVER ASSEMBLY 91-1/8" X 24" (12+12), SCS
		287539-17-401	FLIPOVER ASSEMBLY 85-1/8" X 24" (18+6), SCS (MAXGRIP KNURLED SURFACE)
		287449-17-401	FLIPOVER ASSEMBLY 85-1/8" X 24" (12+12), SCS (MAXGRIP KNURLED SURFACE)
		287539-18-401	FLIPOVER ASSEMBLY 91-1/8" X 24" (18+6), SCS (MAXGRIP KNURLED SURFACE)
		287449-18-401	FLIPOVER ASSEMBLY 91-1/8" X 24" (12+12), SCS (MAXGRIP KNURLED SURFACE)
2	1	287447-29	CART STOP ASSEMBLY, SCS, 83-7/16" LG.
		287447-20	CART STOP ASSEMBLY, RAMP SCS, 83-7/16" LG.
		287447-21	CART STOP ASSEMBLY, RAMP SCS, 89-7/16" LG.
		287447-30	CART STOP ASSEMBLY, SCS, 89-7/16" LG.
3	2	287443-04	CART STOP PIN, 39-3/8" LG.
		287443-05	CART STOP PIN, 42-3/8" LG.
		287443-06	CART STOP PIN, 45-3/8" LG.
4	6	282729-01	CART STOP SPRING
5	1	287226-01	CATCH BRACKET
6	3	903715-04	RIVET, 1/4" I.D. X 5/8" LG.
7	1	288636-01	SHOOT BOLT, 1-3/8" LG.
8	1	287224-01	PLUNGER
9	1	283957-01	SHOOT BOLT SPRING
10	2	900722-03	BUTTON SCREW, 10-24 X 1/2" LG.

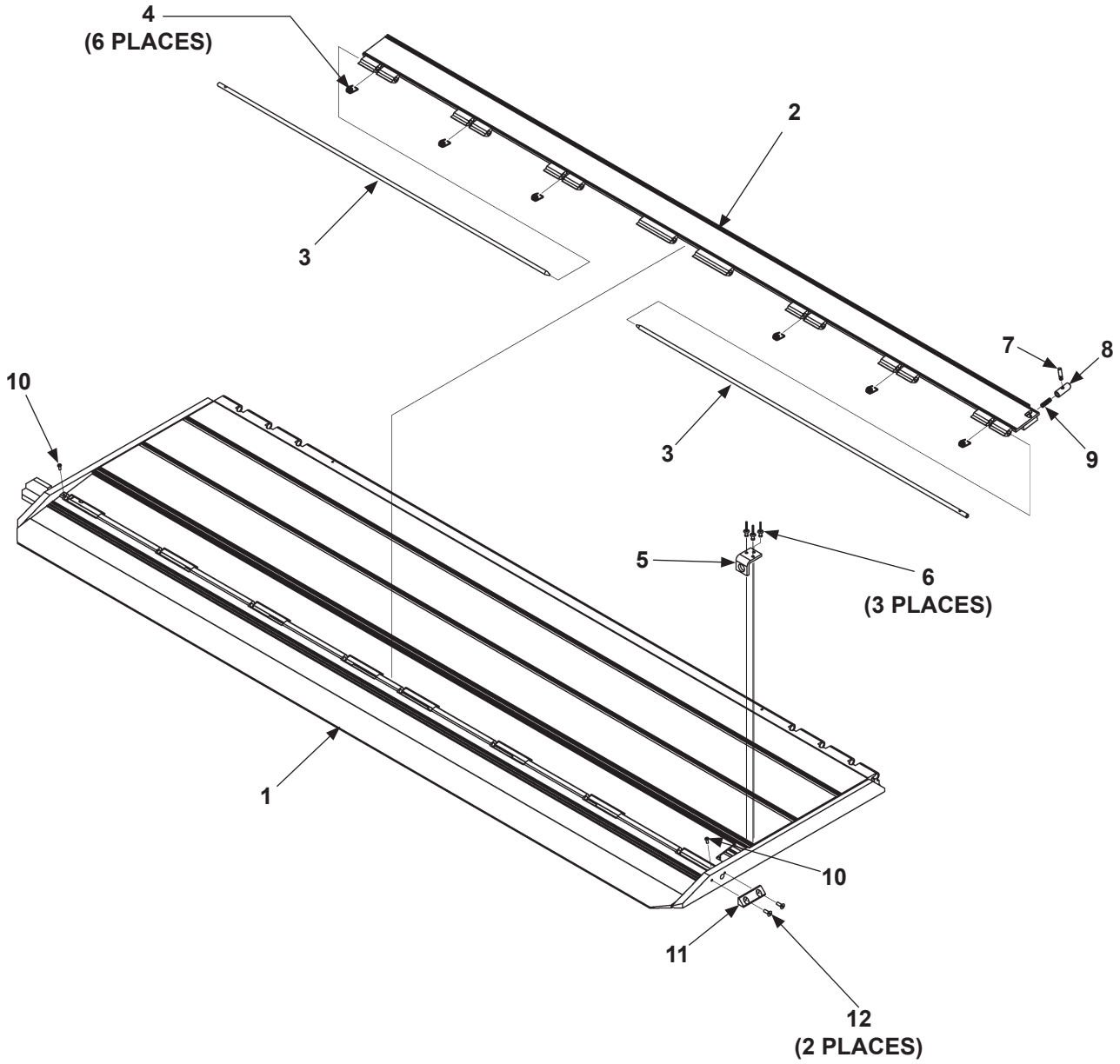
MAXON[®] 11921 Slauson Ave. Santa Fe Springs, CA. 90670 (800) 227-4116 FAX (888) 771-7713

PARTS BREAKDOWN

FLIPOVER ASSEMBLY (WITH SINGLE CART STOP WITH TORSION BAR)

MAXON®

11921 Slauson Ave. Santa Fe Springs, CA. 90670 (800) 227-4116 FAX (888) 771-7713



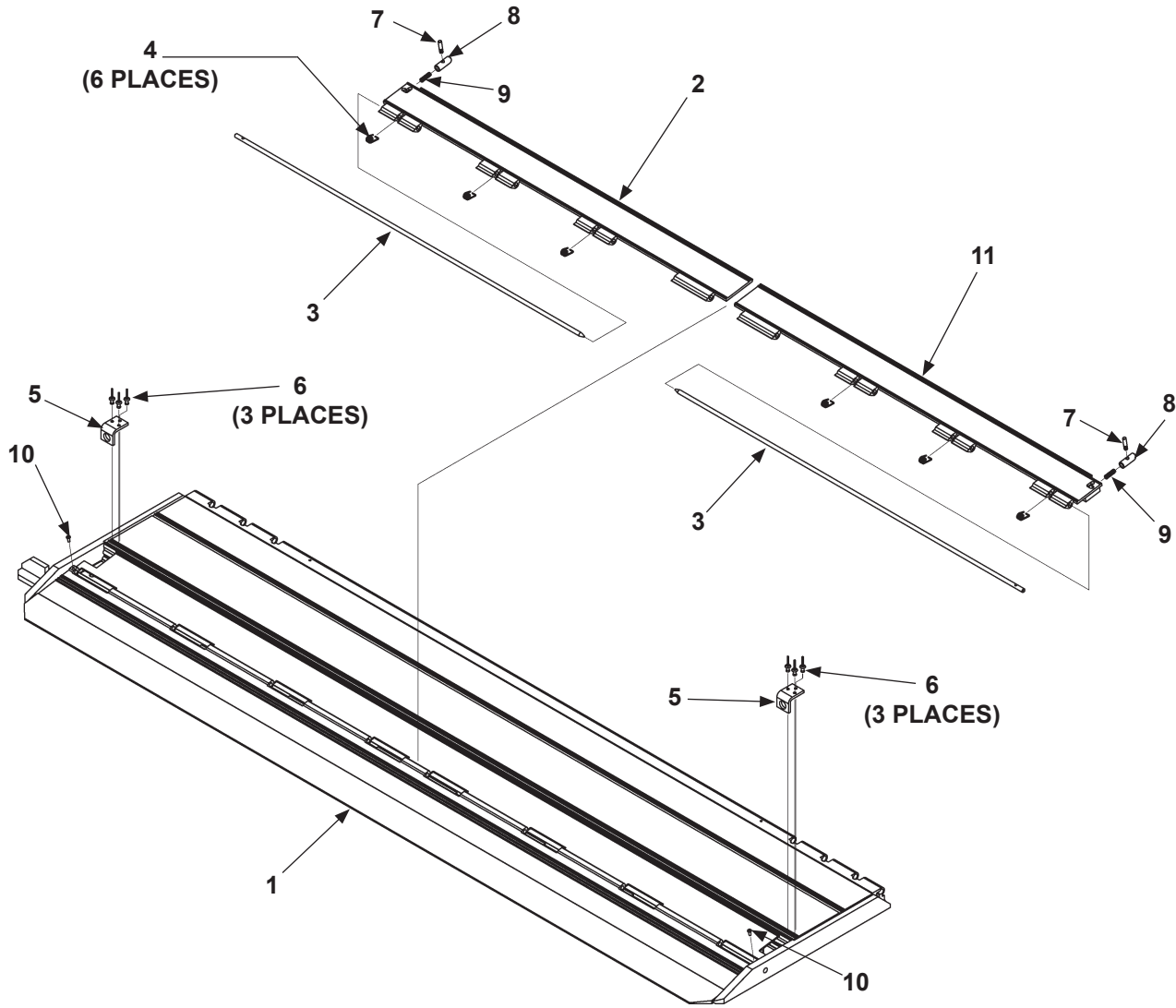
ITEM	QTY.	PART NO.	DESCRIPTION
1	1	287539-11	FLIPOVER ASSEMBLY 85-1/8" X 30" (24+6), SCS
		287539-08	FLIPOVER ASSEMBLY 85-1/8" X 36" (30+6), SCS
		287449-11	FLIPOVER ASSEMBLY 85-1/8" X 30" (18+12), SCS
		287539-09	FLIPOVER ASSEMBLY 91-1/8" X 36" (30+6), SCS
		287449-08	FLIPOVER ASSEMBLY 85-1/8" X 36" (24+12), SCS
		287449-12	FLIPOVER ASSEMBLY 91-1/8" X 30" (18+12), SCS
		287539-12	FLIPOVER ASSEMBLY 91-1/8" X 30" (24+6), SCS
		287449-09	FLIPOVER ASSEMBLY 91-1/8" X 36" (24+12), SCS
		287539-11-401	FLIPOVER ASSEMBLY 85-1/8" X 30" (24+6), SCS (MAXGRIP KNURLED SURFACE)
		287539-08-401	FLIPOVER ASSEMBLY 85-1/8" X 36" (30+6), SCS (MAXGRIP KNURLED SURFACE)
		287449-11-401	FLIPOVER ASSEMBLY 85-1/8" X 30" (18+12), SCS (MAXGRIP KNURLED SURFACE)
		287539-09-401	FLIPOVER ASSEMBLY 91-1/8" X 36" (30+6), SCS (MAXGRIP KNURLED SURFACE)
		287449-08-401	FLIPOVER ASSEMBLY 85-1/8" X 36" (24+12), SCS (MAXGRIP KNURLED SURFACE)
		287449-12-401	FLIPOVER ASSEMBLY 91-1/8" X 30" (18+12), SCS (MAXGRIP KNURLED SURFACE)
287539-12-401	FLIPOVER ASSEMBLY 91-1/8" X 30" (24+6), SCS (MAXGRIP KNURLED SURFACE)		
287449-09-401	FLIPOVER ASSEMBLY 91-1/8" X 36" (24+12), SCS (MAXGRIP KNURLED SURFACE)		
2	1	287447-29	CART STOP ASSEMBLY, SCS, 83-7/16" LG.
		287447-20	CART STOP ASSEMBLY, RAMP SCS, 83-7/16" LG.
		287447-21	CART STOP ASSEMBLY, RAMP SCS, 89-7/16" LG.
		287447-30	CART STOP ASSEMBLY, SCS, 89-7/16" LG.
3	2	287443-04	CART STOP PIN, 39-3/8" LG.
		287443-05	CART STOP PIN, 42-3/8" LG.
		287443-06	CART STOP PIN, 45-3/8" LG.
4	6	282729-01	CART STOP SPRING
5	1	287226-01	CATCH BRACKET
6	3	903715-04	RIVET, 1/4" I.D. X 5/8" LG.
7	1	288636-01	SHOOT BOLT, 1-3/8" LG.
8	1	287224-01	PLUNGER
9	1	283957-01	SHOOT BOLT SPRING
10	2	900722-03	BUTTON SCREW, 10-24 X 1/2" LG.
11	1	285877-01	FLIPOVER LOCK BAR
12	2	900711-03	SOCKET SCREW, FLUSH, 1/4"-20 X 3/4" LG.

PARTS BREAKDOWN

FLIPOVER ASSEMBLY (WITH DUAL CART STOPS)

MAXON®

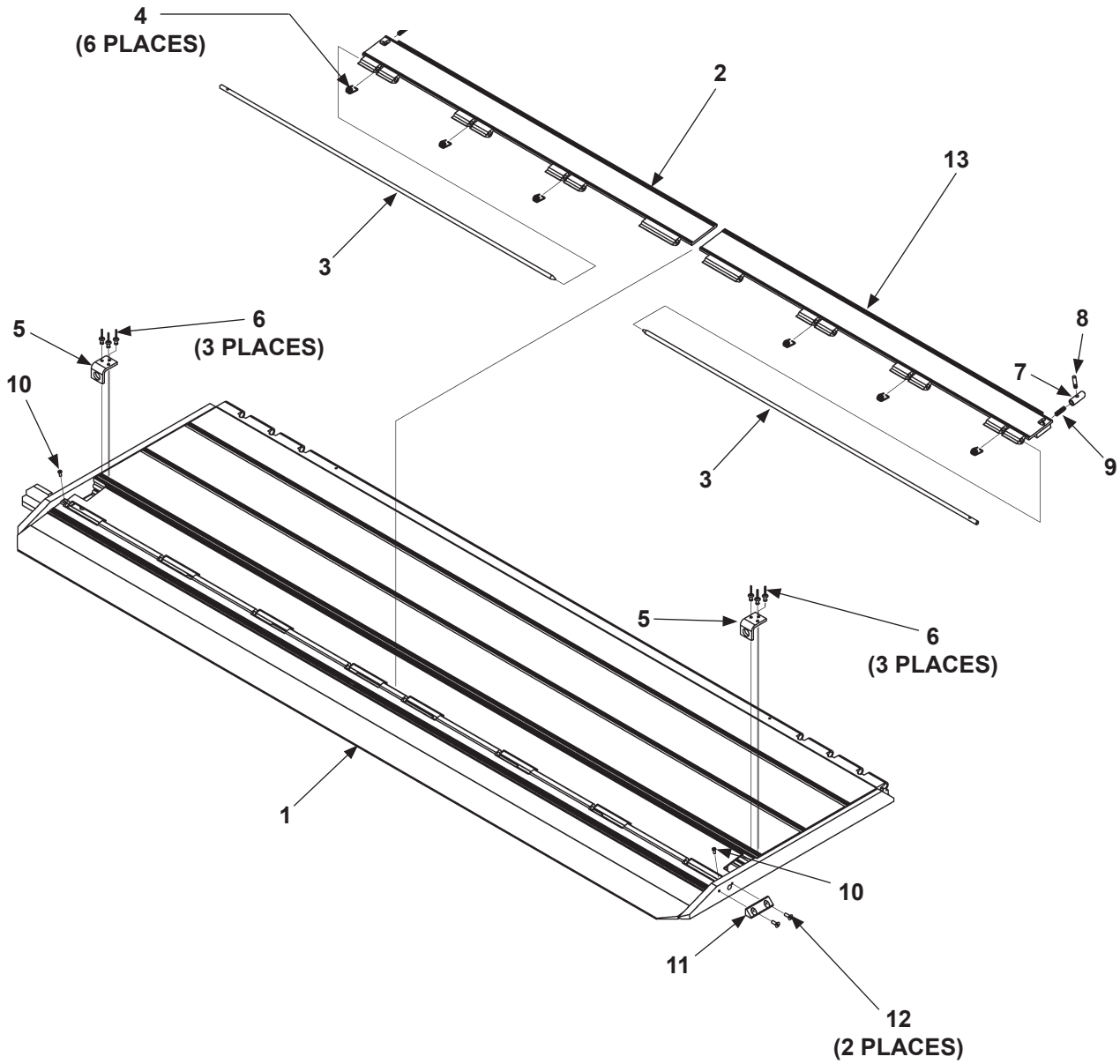
11921 Slauson Ave. Santa Fe Springs, CA. 90670 (800) 227-4116 FAX (888) 771-7713



ITEM	QTY.	PART NO.	DESCRIPTION
1	1	287539-14	FLIPOVER ASSEMBLY 85-1/8" X 24" (18+6), DCS
		287449-14	FLIPOVER ASSEMBLY 85-1/8" X 24" (12+12), DCS
		287449-15	FLIPOVER ASSEMBLY 91-1/8" X 24" (12+12), DCS
		287539-14-401	FLIPOVER ASSEMBLY 85-1/8" X 24" (18+6), DCS (MAXGRIP KNURLED SURFACE)
		287449-14-401	FLIPOVER ASSEMBLY 85-1/8" X 24" (12+12), DCS (MAXGRIP KNURLED SURFACE)
		287449-15-401	FLIPOVER ASSEMBLY 91-1/8" X 24" (12+12), DCS (MAXGRIP KNURLED SURFACE)
2	1	287447-24	LH CART STOP ASSEMBLY, 41-5/8" LG. (90"W PLATFORM)
		287447-26	LH CART STOP ASSEMBLY, 44-5/8" LG. (96"W PLATFORM)
3	2	287443-05	CART STOP PIN, 42-3/8" LG.
		287443-06	CART STOP PIN, 45-3/8" LG.
4	6	282729-01	CART STOP SPRING
5	2	287226-01	CATCH BRACKET
6	6	903715-04	RIVET, 1/4" I.D. X 5/8" LG.
7	1	288636-01	SHOOT BOLT, 1-3/8" LG.
8	1	287224-01	PLUNGER
9	1	283957-01	SHOOT BOLT SPRING
10	2	900722-03	BUTTON SCREW, 10-24 X 1/2" LG.
11	1	287447-25	RH CART STOP ASSEMBLY, 41-5/8" LG. (90"W PLATFORM)
		287447-27	RH CART STOP ASSEMBLY, 44-5/8" LG. (96"W PLATFORM)

PARTS BREAKDOWN

FLIPOVER ASSEMBLY (WITH DUAL CART STOPS AND TORSION BAR)



MAXON[®]

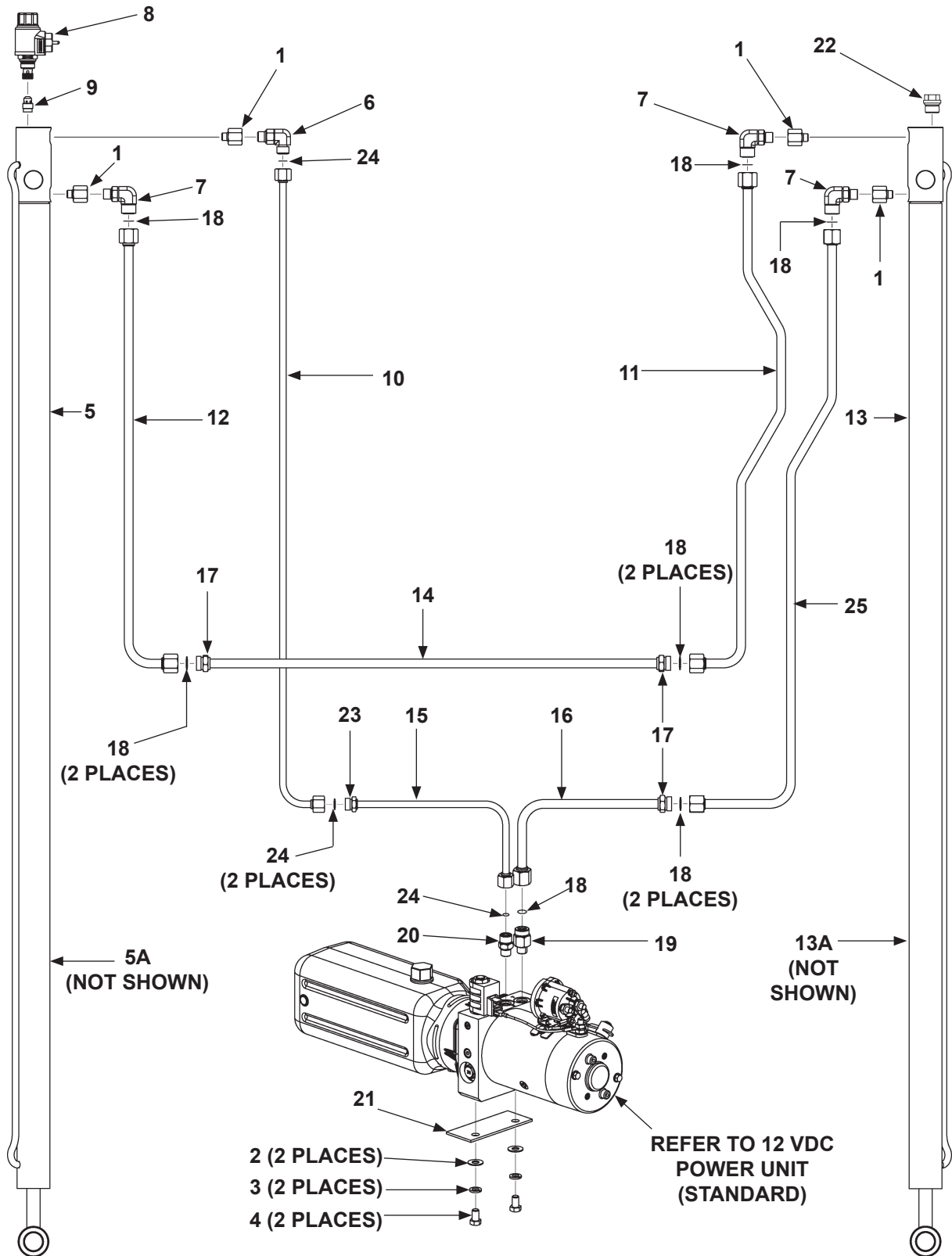
11921 Slauson Ave. Santa Fe Springs, CA. 90670 (800) 227-4116 FAX (888) 771-7713

ITEM	QTY.	PART NO.	DESCRIPTION
1	1	287539-05	FLIPOVER ASSEMBLY 85-1/8" X 30" (24+6), DCS
		287539-02	FLIPOVER ASSEMBLY 85-1/8" X 36" (30+6), DCS
		287539-05-401	FLIPOVER ASSEMBLY 85-1/8" X 30" (24+6), DCS (MAXGRIP KNURLED SURFACE)
		287539-02-401	FLIPOVER ASSEMBLY 85-1/8" X 36" (30+6), DCS (MAXGRIP KNURLED SURFACE)
		287539-06-401	FLIPOVER ASSEMBLY 91-1/8" X 30" (24+6), DCS (MAXGRIP KNURLED SURFACE)
		287539-03-401	FLIPOVER ASSEMBLY 91-1/8" X 36" (30+6), DCS (MAXGRIP KNURLED SURFACE)
		287449-05	FLIPOVER ASSEMBLY 85-1/8" X 30" (18+12), DCS
		287449-02	FLIPOVER ASSEMBLY 85-1/8" X 36" (24+12), DCS
		287449-06	FLIPOVER ASSEMBLY 91-1/8" X 30" (18+12), DCS
		287449-03	FLIPOVER ASSEMBLY 91-1/8" X 36" (24+12), DCS
		287449-05-401	FLIPOVER ASSEMBLY 85-1/8" X 30" (18+12), DCS (MAXGRIP KNURLED SURFACE)
		287449-02-401	FLIPOVER ASSEMBLY 85-1/8" X 36" (24+12), DCS (MAXGRIP KNURLED SURFACE)
		287449-06-401	FLIPOVER ASSEMBLY 91-1/8" X 30" (18+12), DCS (MAXGRIP KNURLED SURFACE)
		287449-03-401	FLIPOVER ASSEMBLY 85-1/8" X 36" (24+12), DCS (MAXGRIP KNURLED SURFACE)
2	1	287447-33	LH CART STOP ASSEMBLY, 41-5/8" LG. (90"W PLATFORM)
		287447-35	LH CART STOP ASSEMBLY, 44-5/8" LG. (96"W PLATFORM)
3	2	287443-05	CART STOP PIN, 42-3/8" LG.
		287443-06	CART STOP PIN, 45-3/8" LG.
4	6	282729-01	CART STOP SPRING
5	2	287226-01	CATCH BRACKET
6	6	903715-04	RIVET, 1/4" I.D. X 5/8" LG.
7	1	287224-01	PLUNGER
8	1	288636-01	SHOOT BOLT, 1-3/8" LG.
9	1	283957-01	SHOOT BOLT SPRING
10	2	900722-03	BUTTON SCREW, 10-24 X 1/2" LG.
11	1	285877-01	FLIPOVER LOCK BAR
12	2	285877-03	SOCKET SCREW, FLUSH, 1/4"-20 X 3/4" LG.
13	1	287447-34	RH CART STOP ASSEMBLY, 41-5/8" LG. (90"W PLATFORM)
		287447-36	RH CART STOP ASSEMBLY, 44-5/8" LG. (96"W PLATFORM)

PARTS BREAKDOWN

HYDRAULIC COMPONENTS (STANDARD)

MAXON
11921 Slauson Ave. Santa Fe Springs, CA. 90670 (800) 227-4116 FAX (888) 771-7713



NOTE: If lines are opened & closed or replaced, and if power unit or cylinders are replaced, pressurize hydraulic system before operating Liftgate with a passenger or load. Refer to **PRESSURIZING HYDRAULIC SYSTEM** procedure in this manual.

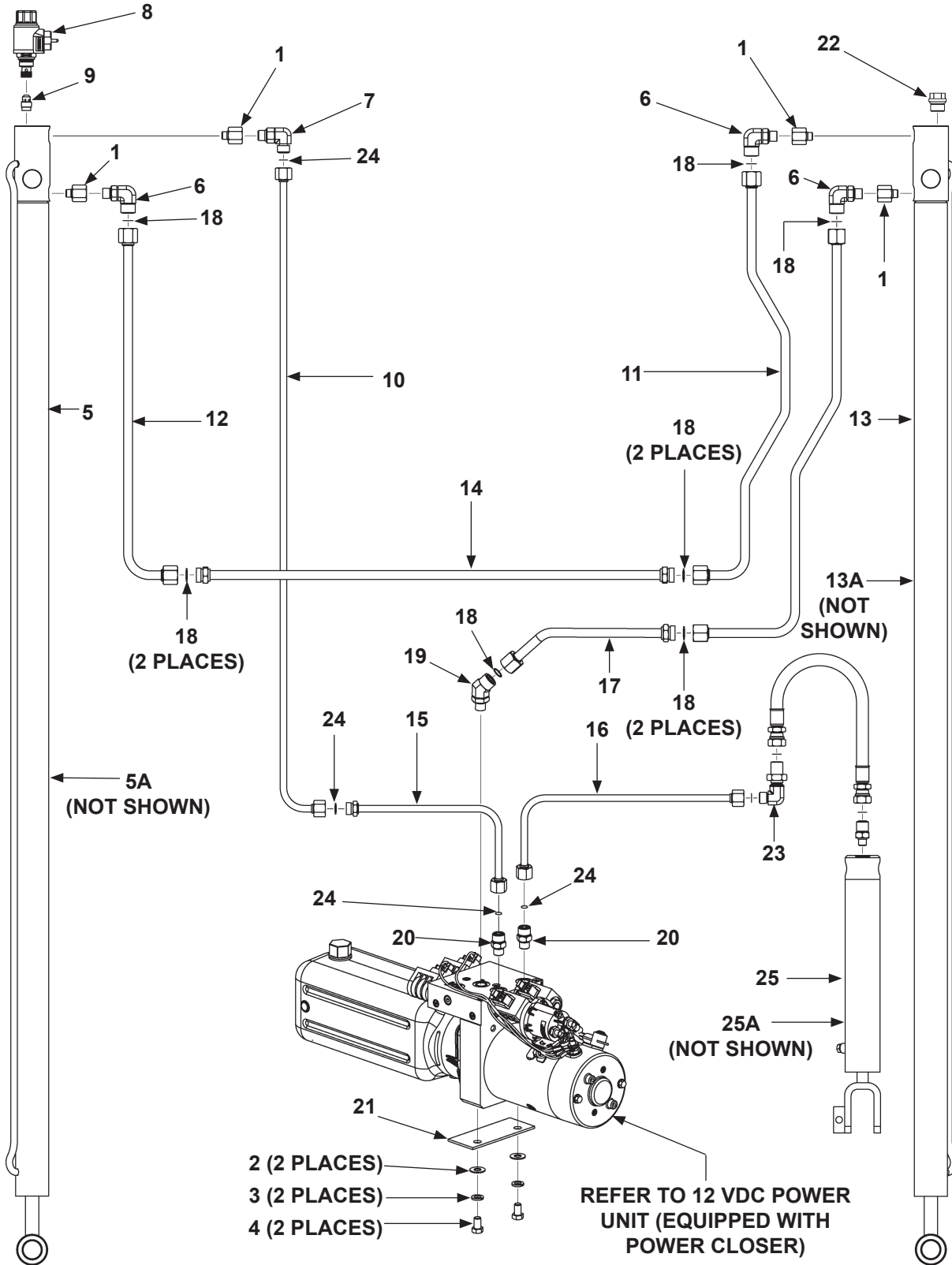
ITEM	QTY.	PART NO.	DESCRIPTION
1	4	906761-01	CONNECTOR, #4M - #6F, O-RING
2	2	903409-03	FENDER WASHER, 13/32" I.D. X 7/8" O.D.
3	2	902019-5	LOCK WASHER, 11/16" O.D. X 7/8" I.D.
4	2	900764-03	HEX CAP SCREW, 3/8"-16 X 5/8" LG.
5	1	283190-01	HYDRAULIC MASTER CYLINDER
5A	1	283190SK-01	MASTER CYLINDER SEAL KIT
6	1	906704-02	ELBOW, NPSC, SAE #6 FACE SEAL, O-RING
7	3	905158	STRAIGHT ELBOW SAE #6 FACE SEAL, O-RING
8	1	5-30036	12V LOGIC VALVE
9	1	906717-02	FLOW CONTROL VALVE, 1.5 GPM
10	1	286440-01	LH COLUMN FACE SEAL TUBE ASSEMBLY, 63-3/8" LG.
11	1	285405-01	RH COLUMN FACE SEAL TUBE ASSEMBLY, 3/8" O.D
12	1	283212-05	RETURN LINE ASSEMBLY, LH COLUMN
13	1	283190-02	HYDRAULIC SLAVE CYLINDER
13A	1	283190SK-02	SLAVE CYLINDER SEAL KIT
14	1	283246-01	SEAL TUBE ASSEMBLY, 1/2" X 81" LG.
		283246-03	SEAL TUBE ASSEMBLY, 1/2" X 89" LG.
15	1	283556-03	LH HYDRAULIC LINE (FACE SEAL), 55-15/16" LG.
		283556-04	LH HYDRAULIC LINE (FACE SEAL), 58-15/16" LG.
16	1	283212-03	RETURN LINE ASSEMBLY, 26-1/4" LG.
		283212-04	RETURN LINE ASSEMBLY, 29-1/4" LG.
17	3	905161	UNION FACE SEAL, #8 M-M
18	10	906712-03	O-RING, #8, 1/2" ORIFICE FACE SEAL TUBE END
19	1	906762-01	CONNECTOR, #8 FS, #6 O-RING, M-M
20	1	905173	CONNECTOR, #6 FS, #6 O-RING, M-M
21	1	269358-02	RUBBER PLATE, DMD PUMP
22	1	906864-01	HEX HEAD PLUG, M20 X 1-1/2" THREAD
23	1	905175	UNION FACE SEAL, #6 M-M
24	4	906712-02	O-RING, #6, 3/8" ORIFICE FACE SEAL TUBE END
25	1	286439-01	FACE SEAL TUBE ASSEMBLY, RETURN LINE, RH, 5-3/16" LG.

MAXON

11921 Slauson Ave. Santa Fe Springs, CA. 90670 (800) 227-4116 FAX (888) 771-7713

PARTS BREAKDOWN

HYDRAULIC COMPONENTS (EQUIPPED WITH POWER CLOSER)



NOTE: If lines are opened & closed or replaced, and if power unit or cylinders are replaced, pressurize hydraulic system before operating Liftgate with a passenger or load. Refer to **PRESSURIZING HYDRAULIC SYSTEM** procedure in this manual.

ITEM	QTY.	PART NO.	DESCRIPTION
1	4	906761-01	CONNECTOR, #4M - #6F, O-RING
2	2	903409-03	FENDER WASHER, 13/32" I.D. X 7/8" O.D.
3	2	902019-5	LOCK WASHER, 11/16" O.D. X 7/8" I.D.
4	2	900764-03	HEX CAP SCREW, 3/8"-16 X 5/8" LG.
5	1	283190-01	HYDRAULIC MASTER CYLINDER
5A	1	283190SK-01	MASTER CYLINDER SEAL KIT
6	3	905158	ELBOW, NPSC, SAE #6 FACE SEAL, O-RING
7	1	906704-02	STRAIGHT ELBOW SAE #6 FACE SEAL, O-RING
8	1	5-30036	12V LOGIC VALVE
9	1	906717-02	FLOW CONTROL VALVE, 1.5 GPM
10	1	286440-01	LH COLUMN FACE SEAL TUBE ASSEMBLY, 63-3/8" LG.
11	1	286437-01	RH COLUMN FACE SEAL TUBE ASSEMBLY
12	1	283212-05	RETURN LINE ASSEMBLY, LH COLUMN
13	1	283190-02	HYDRAULIC SLAVE CYLINDER
13A	1	283190SK-02	SLAVE CYLINDER SEAL KIT
14	1	288721-03	FACE SEAL TUBE ASSEMBLY, 1/2" X 89-3/4" LG.
		288721-01	FACE SEAL TUBE ASSEMBLY, 1/2" X 83-3/4" LG.
15	1	287217-02	LH HYDRAULIC LINE, LH, M/F, 57-3/8" LG.
		287217-03	LH HYDRAULIC LINE, LH, M/F, 60-3/8" LG.
16	1	288632-02	RETURN LINE, 28-3/4" LG.
		288632-03	RETURN LINE, 31-3/4" LG
17	1	288632-03	RETURN LINE, 31-13/16" LG.
18	10	906712-03	O-RING, #8, 1/2" ORIFICE FACE SEAL TUBE END
19	1	906827-01	ELBOW, 45° ORIFICE FACE SEAL/ORB #8 - #6, M-M
20	2	905173	CONNECTOR, #6 FS, #6 O-RING, M-M
21	1	269358-02	RUBBER PLATE, DMD PUMP
22	1	906864-01	HEX HEAD PLUG, M20 X 1-1/2" THREAD
23	1	905162	ELBOW, BULKHEAD UNION, FLANGE SEAL, #6
24	4	906712-02	O-RING, #6, 3/8" ORIFICE FACE SEAL TUBE END
25	1	283555-01	HYDRAULIC CYLINDER, HYDRAULIC CLOSER
25A	1	283555SK-01	HYDRAULIC CLOSER CYLINDER SEAL KIT

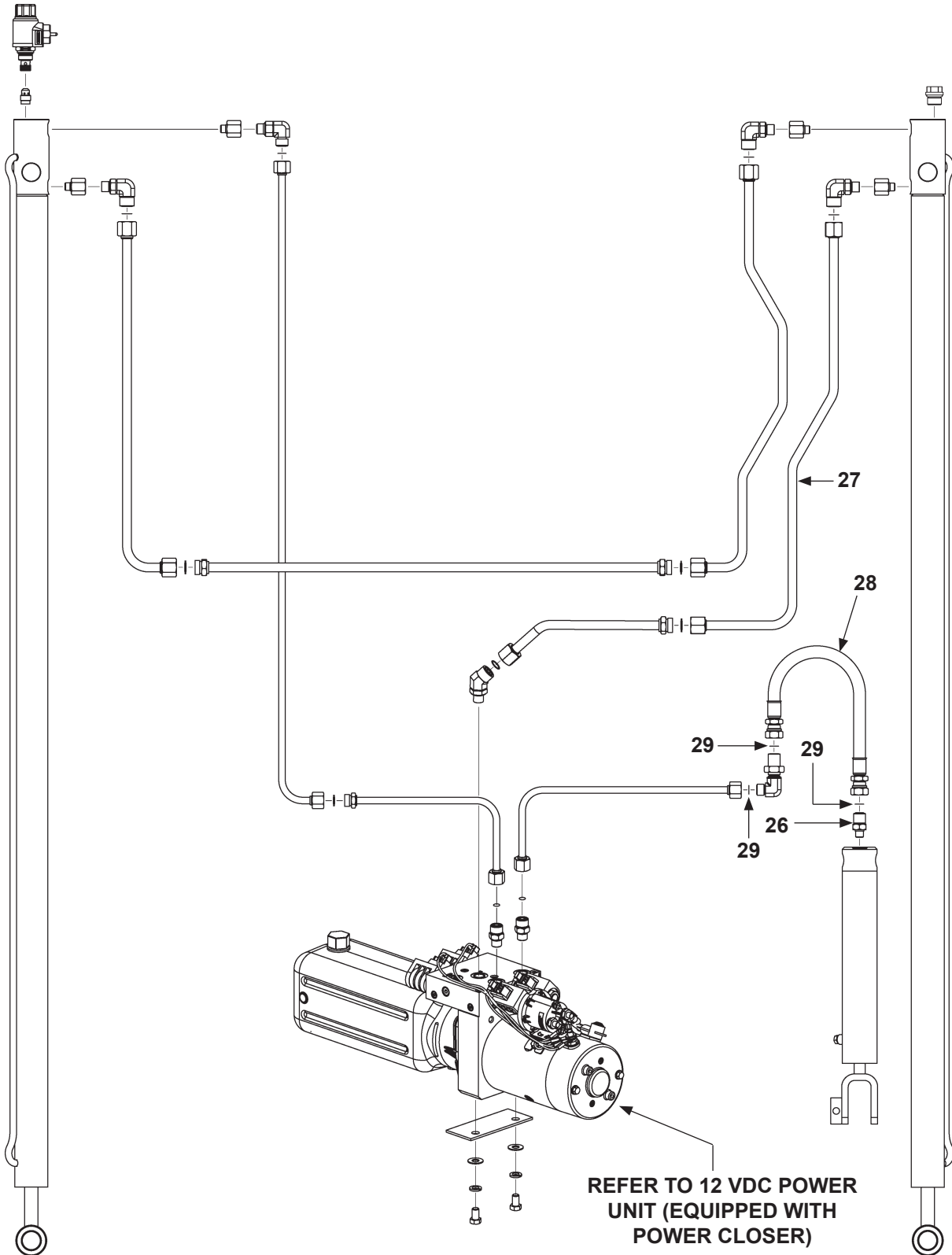
PARTS BREAKDOWN

HYDRAULIC COMPONENTS (EQUIPPED WITH POWER CLOSER) -

Continued

MAXON[®]

11921 Slauson Ave. Santa Fe Springs, CA. 90670 (800) 227-4116 FAX (888) 771-7713



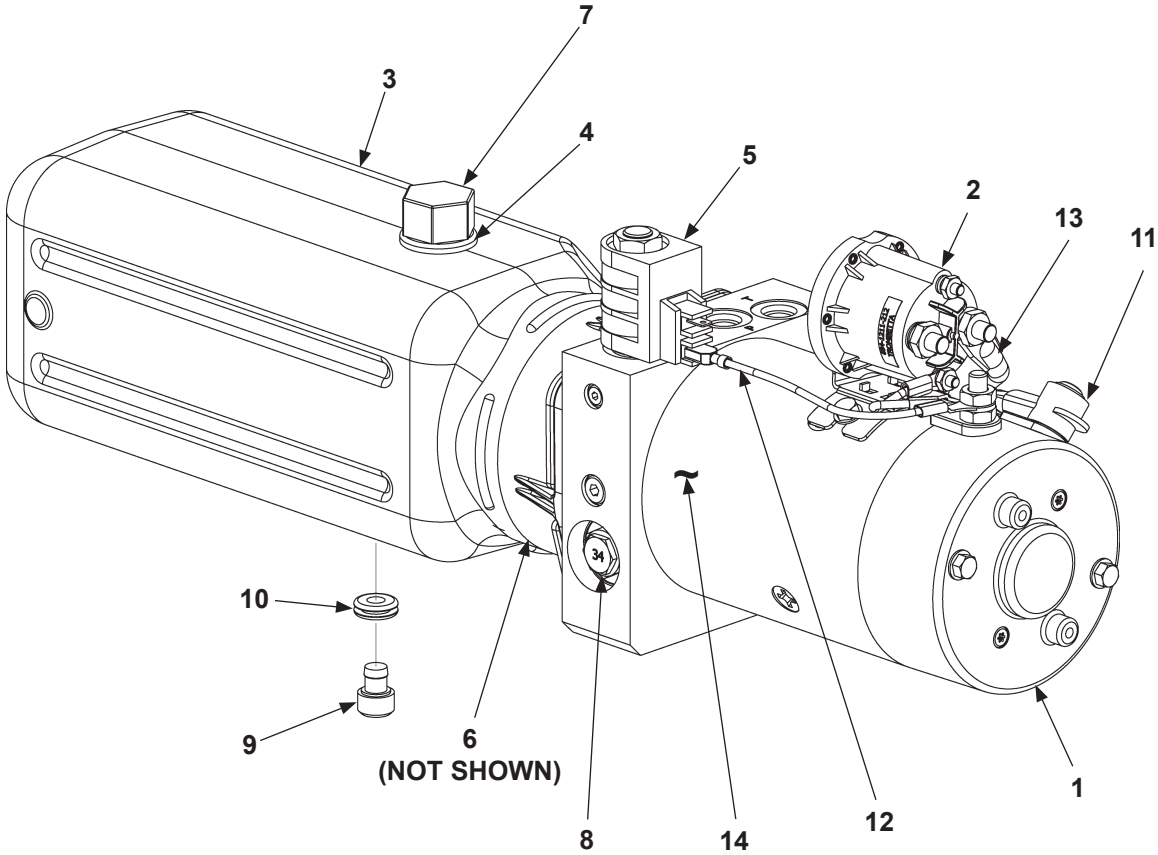
REFER TO 12 VDC POWER
UNIT (EQUIPPED WITH
POWER CLOSER)

NOTE: If lines are opened & closed or replaced, and if power unit or cylinders are replaced, pressurize hydraulic system before operating Liftgate with a passenger or load. Refer to **PRESSURIZING HYDRAULIC SYSTEM** procedure in this manual.

ITEM	QTY.	PART NO.	DESCRIPTION
26	1	906759-01	CONNECTOR, FACE SEAL, #6, #4 ORIFICE
27	1	286439-01	FACE SEAL TUBE ASSEMBLY, RETURN LINE, RH, 5-3/16" LG.
28	1	283538-01	HOSE ASSEMBLY, 46" LG.
29	3	283193-02	ORIFICE FLANGE SEAL, 1/2"

PARTS BREAKDOWN

12 VDC POWER UNIT (STANDARD)



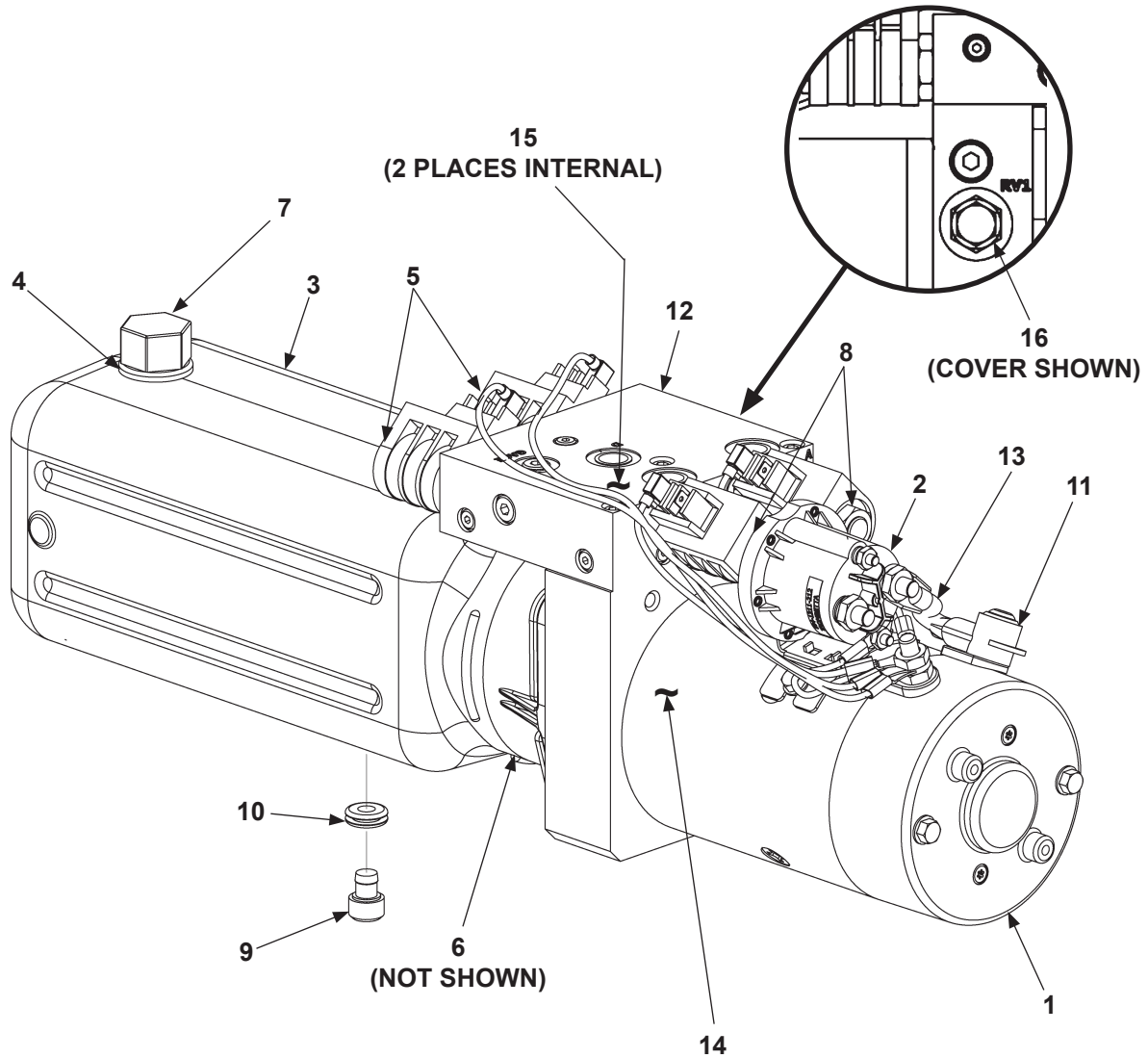
MAXON[®]

11921 Slauson Ave. Santa Fe Springs, CA. 90670 (800) 227-4116 FAX (888) 771-7713

ITEM	QTY.	PART NO.	DESCRIPTION
REF	1	286191-01	12 VDC POWER UNIT (GD)
1	1	269582-01	12 VDC MOTOR
2	1	284080-01	12 VDC STARTER SOLENOID SWITCH
3	1	905364-01	RESERVOIR, PLASTIC, 4 QUART
4	1	908016-01	RUBBER GROMMET
5	1	906822-01	VALVE, 2-POLE SWITCH
6	1	286192-01	PUMP, PRESSURE LOADED, (NOT SHOWN)
7	1	280806-01	BREATHER FILLER CAP
8	1	906737-01	RELIEF VALVE ASSEMBLY
9	1	908017-01	DRAIN PLUG
10	1	908018-01	GROMMET, 13/16" O.D., 5/16" I.D.
11	1	905339-01	INSULATOR BOOT
12	1	285224-01	GROUND WIRE
13	1	280404	BATTERY CABLE
14	1	905365-01	COUPLING (HIDDEN FROM VIEW)

PARTS BREAKDOWN

12 VDC POWER UNIT (EQUIPPED WITH POWER CLOSER)



MAXON[®]

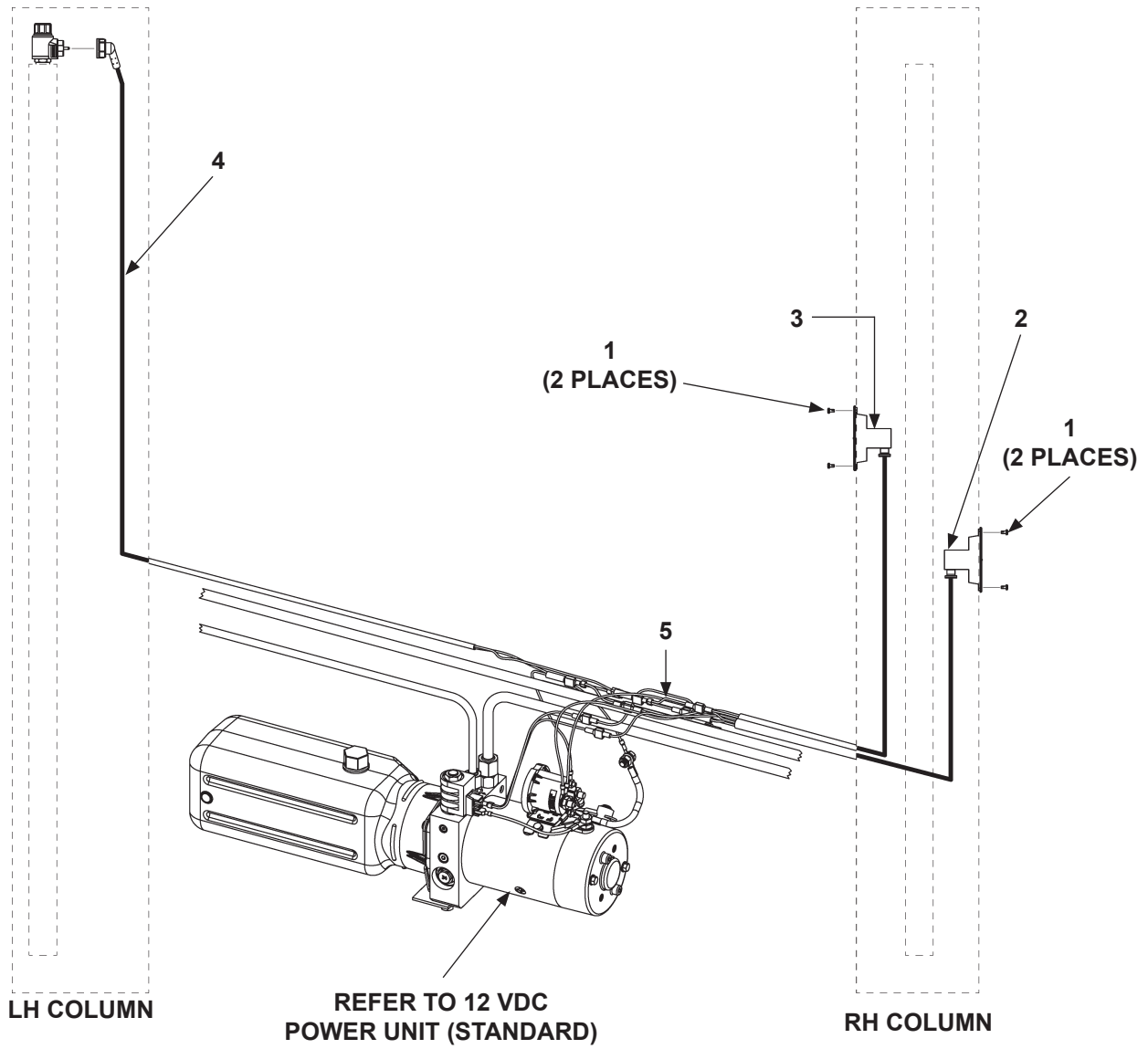
11921 Slauson Ave. Santa Fe Springs, CA. 90670 (800) 227-4116 FAX (888) 771-7713

ITEM	QTY.	PART NO.	DESCRIPTION
REF	1	283240-01	12 VDC POWER UNIT (HYDRAULIC CONTROL)
1	1	269582-01	12 VDC MOTOR
2	1	284080-01	12 VDC STARTER SOLENOID SWITCH
3	1	906961-01	RESERVOIR, PLASTIC, 4 QUART
4	1	908016-01	RUBBER GROMMET
5	2	906960-01	VALVE, 2P/2W, DOUBLE BLOCKING
6	1	286192-01	PUMP, PRESSURE LOADED, (NOT SHOWN)
7	1	280806-01	BREATHER FILLER CAP
8	2	906959-01	VALVE, 2P/2W NC
9	1	908017-01	DRAIN PLUG
10	1	908018-01	GROMMET, 13/16" O.D., 5/16" I.D.
11	1	905339-01	INSULATOR BOOT
12	1	906963-01	MANIFOLD ASSEMBLY
13	1	280404	BATTERY CABLE
14	1	905365-01	COUPLING (HIDDEN FROM VIEW)
15	2	906962-01	FLOW CONTROL VALVE (0-5 GPM)
16	1	906958-01	RELIEF VALVE, DIFFERENTIAL, DEL TROL

PARTS BREAKDOWN

ELECTRICAL COMPONENTS (STANDARD)

MAXON®
 11921 Slauson Ave. Santa Fe Springs, CA. 90670 (800) 227-4116 FAX (888) 771-7713



ITEM	QTY.	PART NO.	DESCRIPTION
1	4	900766-01	SELF TAPPING SCREW, #10-24" X 3/8" LG.
2	1	288638-01	SWITCH & CABLE ASSEMBLY
3	1	288638-03	SWITCH & CABLE ASSEMBLY
4	1	283554-01	CONNECTOR ASSEMBLY, 132" LG.
5	1	283557-01	WIRE ASSEMBLY, 16 GAUGE, BLACK

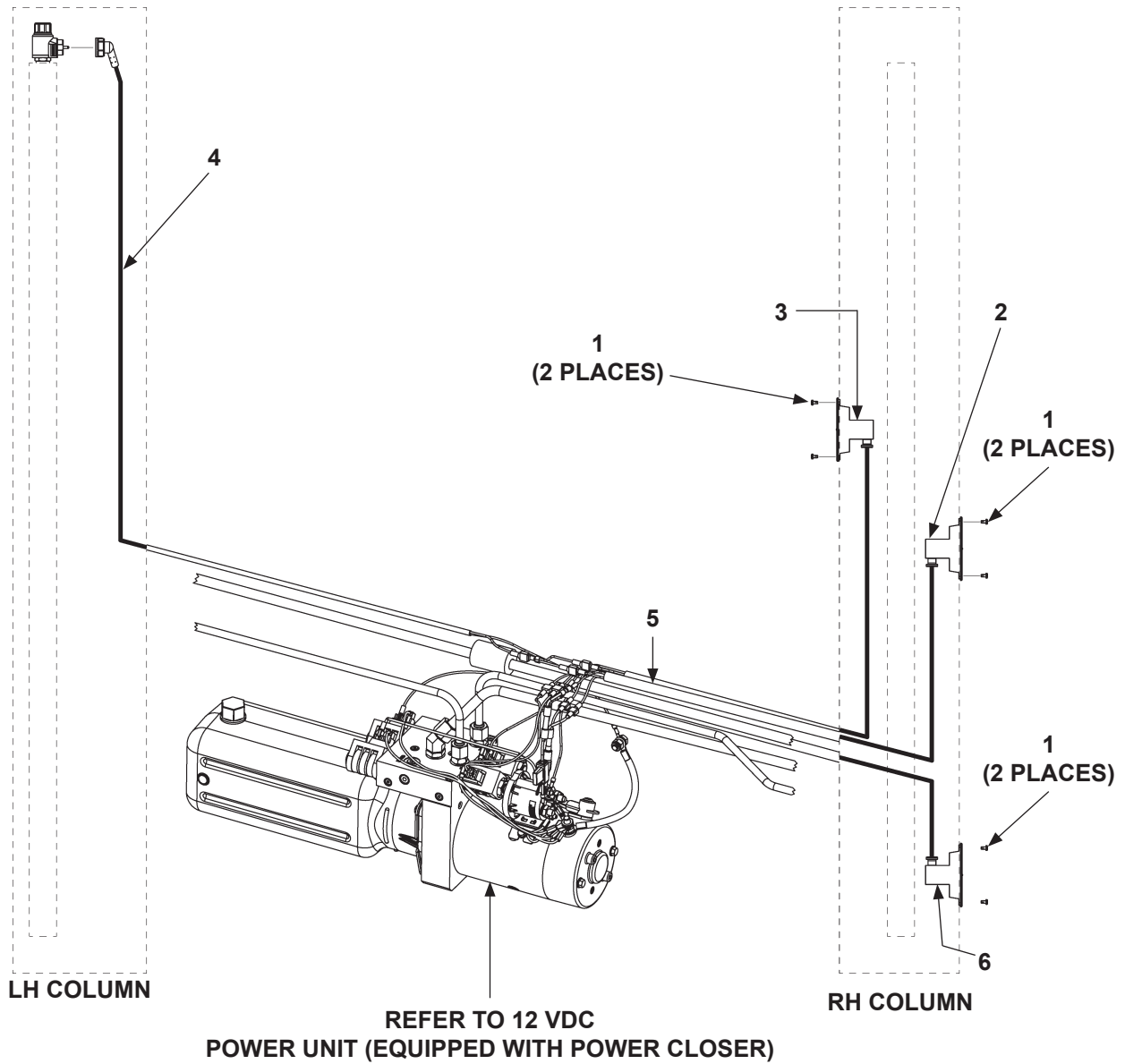
MAXON[®] 11921 Slauson Ave. Santa Fe Springs, CA. 90670 (800) 227-4116 FAX (888) 771-7713

MAXON[®]

11921 Slauson Ave. Santa Fe Springs, CA. 90670 (800) 227-4116 FAX (888) 771-7713

PARTS BREAKDOWN

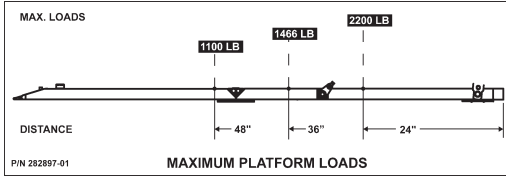
ELECTRICAL COMPONENTS (EQUIPPED WITH POWER CLOSER)



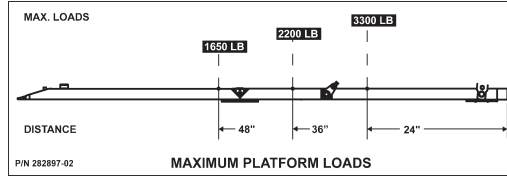
ITEM	QTY.	PART NO.	DESCRIPTION
1	6	900766-01	SELF TAPPING SCREW, #10-24" X 3/8" LG.
2	1	288637-01	SWITCH & CABLE ASSEMBLY
3	1	288637-03	SWITCH & CABLE ASSEMBLY
4	1	283554-01	CONNECTOR ASSEMBLY, 132" LG.
5	1	283557-01	WIRE ASSEMBLY, 16 GAUGE, BLACK
6	1	288637-02	SWITCH & CABLE ASSEMBLY

MAXON[®] 11921 Slauson Ave. Santa Fe Springs, CA. 90670 (800) 227-4116 FAX (888) 771-7713

DECALS (STANDARD)



**PLATFORM LOAD DECAL
(DMD-22 ONLY)
P/N 282897-01**



**PLATFORM LOAD DECAL
(DMD-33 ONLY)
P/N 282897-02**

MAXON

11921 Slauson Ave. Santa Fe Springs, CA. 90670 (800) 227-4116 FAX (888) 771-7713

THE MAXIMUM CAPACITY OF THIS LIFT IS
2200 LB [1000 KG]
WHEN THE LOAD IS CENTERED ON THE LOAD CARRYING PLATFORM
P/N 220388-03

**DMD-22 ONLY
CAPACITY DECAL
P/N 220388-03**

THE MAXIMUM CAPACITY OF THIS LIFT IS
3300 LB [1500 KG]
WHEN THE LOAD IS CENTERED ON THE LOAD CARRYING PLATFORM
P/N 220388-02

**DMD-33 ONLY
CAPACITY DECAL
P/N 220388-02**

OPERATING INSTRUCTIONS	
OPERATE	STOW
1. RAISE PLATFORM OFF TRANSIT HOOKS	1. FOLD & LOCK FLIPOVER IF EQUIPPED
2. UNLOCK & STOW PLATFORM	2. RELEASE PLATFORM LOCK
3. UNLOCK & LIGHTLY FLIPOVER IF EQUIPPED	3. FOLD & LOCK PLATFORM
4. RAISE LOWER PLATFORM	4. REEF PLATFORM TO CLEAR TRANSIT HOOKS
NOTICE Ensure platform is stowed & resting on transit hooks before moving vehicle. 1000L 1A 200004	

**OPERATION DECAL
P/N 282934-01**

DECAL "F"
DECAL "G"

DECAL "E"
DECAL "D"
DECAL "B"
DECAL "A"

**WARNING DECAL
P/N 282847-01**



**FAMILY OWNED DECAL
P/N 283445-01**



**PAINT DECAL
(2 PLACES)
P/N 267338-01**

NOTE: Ensure there is no residue, dirt, or corrosion where decals are attached. If necessary, clean surface before attaching decals.

SAFETY INSTRUCTIONS

Read all decals and operation manual before operating liftgate.

- Do not use liftgate unless you have been properly instructed and have read, and are familiar with, the operating instructions.
- Be certain vehicle is properly and securely braked before using the liftgate.
- Always inspect this liftgate for maintenance or damage before using it. Do not use liftgate if it shows any sign of damage or improper maintenance.
- Do not overload
- Make certain the area in which the platform will open and close is clear before opening or closing the platform.
- Make certain platform area, including the area in which loads may fall from platform, is clear before and at all times during operation of liftgate.
- This liftgate is intended for loading and unloading of cargo only. Do not use this liftgate for anything but its intended use.

A

WARNING

Read this information carefully.

- Improper operation of this Liftgate can result in serious personal injury. If you do not have a copy of the operating instructions, please obtain them from your employer, distributor, or lessor before you attempt to operate Liftgate.
- If there are signs of improper maintenance, damage to vital parts, or slippery platform surface, do not use the Liftgate until these problems have been corrected.
- If you are using a pallet jack, be sure it can be maneuvered safely.
- Do not operate a forklift on the platform.
- Do not allow any part of yours or your helper's body to be placed under, within, or around any portion of the moving Liftgate, or its mechanisms, or in a position that would trap them between the platform and the ground or truck when the Liftgate is operated.
- If a helper is riding the platform with you, make sure you are both doing so safely and that you are not in danger of coming in contact with any moving or potentially moving obstacles.
- USE GOOD COMMON SENSE.**
- If load appears to be unsafe, do not lift or lower it.

For a free copy of other manuals that pertain to this model Liftgate, please visit our website at www.maxonlift.com or call Customer Service at (800) 227-4116.

B

CAUTION

Always stand clear of platform area.

E

WARNING

Liftgate hazards can result in crushing or falling.

Keep hands and feet clear of pinch points.

If riding liftgate, make sure load is stable and footing is solid.

D

Read and understand all instructions and WARNINGS before use.

F

G

DECAL SHEET
P/N 284216-01

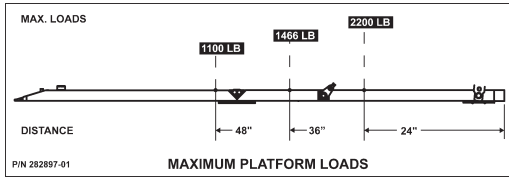
WARNING

A Liftgate extending from a moving vehicle could injure bystanders & damage property. Stow liftgate in correct transit position before moving vehicle.

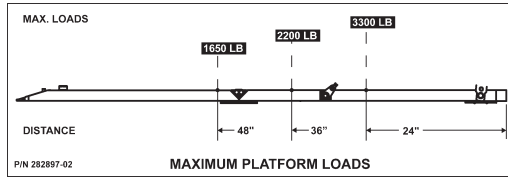
DECAL P/N 282847-01

WARNING DECAL
P/N 282847-01

DECALS (EQUIPPED WITH POWER CLOSER)



**PLATFORM LOAD DECAL
(DMD-22 ONLY)
P/N 282897-01**



**PLATFORM LOAD DECAL
(DMD-33 ONLY)
P/N 282897-02**

**THE MAXIMUM CAPACITY
OF THIS LIFT IS
2200 LB [1000 KG]
WHEN THE LOAD IS
CENTERED ON THE LOAD
CARRYING PLATFORM**
P/N 220388-03

**DMD-22 ONLY
CAPACITY DECAL
P/N 220388-03**

**THE MAXIMUM CAPACITY
OF THIS LIFT IS
3300 LB [1500 KG]
WHEN THE LOAD IS
CENTERED ON THE LOAD
CARRYING PLATFORM**
P/N 220388-02

**DMD-33 ONLY
CAPACITY DECAL
P/N 220388-02**

OPERATING INSTRUCTIONS

OPERATE	STOW
<p>1. RAISE PLATFORM OFF TRANSIT HOOKS.</p>	<p>2. USE HAND CRANK TO FOLD UP UNTIL PLATFORM IS LOCKED.</p>
<p>3. UNLOCK & UNFOLD PLATFORM.</p>	<p>4. BASE PLATFORM TO CLEAR TRANSIT HOOKS.</p>
<p>5. RAISE LOWER PLATFORM.</p>	<p>6. LOWER PLATFORM ON TRANSIT HOOKS.</p>

NOTICE
Ensure platform is stowed & resting on transit hooks before moving vehicle. DECAL IN 282934-03

**OPERATION DECAL
P/N 282934-03**

FOLD

UNFOLD

P/N 289845-01

**FOLD/UNFOLD DECAL
P/N 289845-01**

NOTE: Ensure there is no residue, dirt, or corrosion where decals are attached. If necessary, clean surface before attaching decals.

DECAL "F"

DECAL "G"

DECAL "E"

DECAL "D"

DECAL "B"

DECAL "A"

**WARNING DECAL
P/N 282847-01**



**FAMILY OWNED DECAL
P/N 283445-01**



**PAINT DECAL
(2 PLACES)
P/N 267338-01**

MAXON®

11921 Slauson Ave. Santa Fe Springs, CA. 90670 (800) 227-4116 FAX (888) 771-7713

SAFETY INSTRUCTIONS

Read all decals and operation manual before operating liftgate.

1. Do not use liftgate unless you have been properly instructed and have read, and are familiar with, the operating instructions.
2. Be certain vehicle is properly and securely braked before using the liftgate.
3. Always inspect this liftgate for maintenance or damage before using it. Do not use liftgate if it shows any sign of damage or improper maintenance.
4. Do not overload
5. Make certain the area in which the platform will open and close is clear before opening or closing the platform.
6. Make certain platform area, including the area in which loads may fall from platform, is clear before and at all times during operation of liftgate.
7. This liftgate is intended for loading and unloading of cargo only. Do not use this liftgate for anything but its intended use.

(A)

WARNING

Read this information carefully.

- Improper operation of this Liftgate can result in serious personal injury. If you do not have a copy of the operating instructions, please obtain them from your employer, distributor, or lessor before you attempt to operate Liftgate.
- If there are signs of improper maintenance, damage to vital parts, or slippery platform surface, do not use the Liftgate until these problems have been corrected.
- If you are using a pallet jack, be sure it can be maneuvered safely.
- Do not operate a forklift on the platform.
- Do not allow any part of yours or your helper's body to be placed under, within, or around any portion of the moving Liftgate, or its mechanisms, or in a position that would trap them between the platform and the ground or truck when the Liftgate is operated.
- If a helper is riding the platform with you, make sure you are both doing so safely and that you are not in danger of coming in contact with any moving or potentially moving obstacles.
- **USE GOOD COMMON SENSE.**
- If load appears to be unsafe, do not lift or lower it.

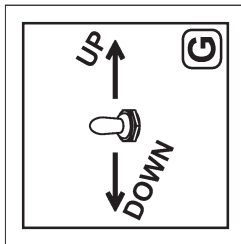
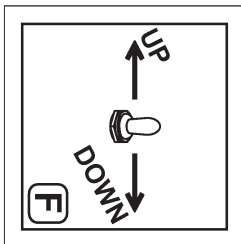
For a free copy of other manuals that pertain to this model Liftgate, please visit our website at www.maxonlift.com or call Customer Service at (800) 227-4116.

(B)

CAUTION

Always stand clear of platform area.

(E)



WARNING

Liftgate hazards can result in crushing or falling.

Keep hands and feet clear of pinch points.

If riding liftgate, make sure load is stable and footing is solid.

Read and understand all instructions and WARNINGS before use.

(D)

DECAL SHEET
P/N 284216-01

WARNING

A Liftgate extending from a moving vehicle could injure bystanders & damage property. Stow liftgate in correct transit position before moving vehicle.

DECAL P/N 282847-01

WARNING DECAL
P/N 282847-01

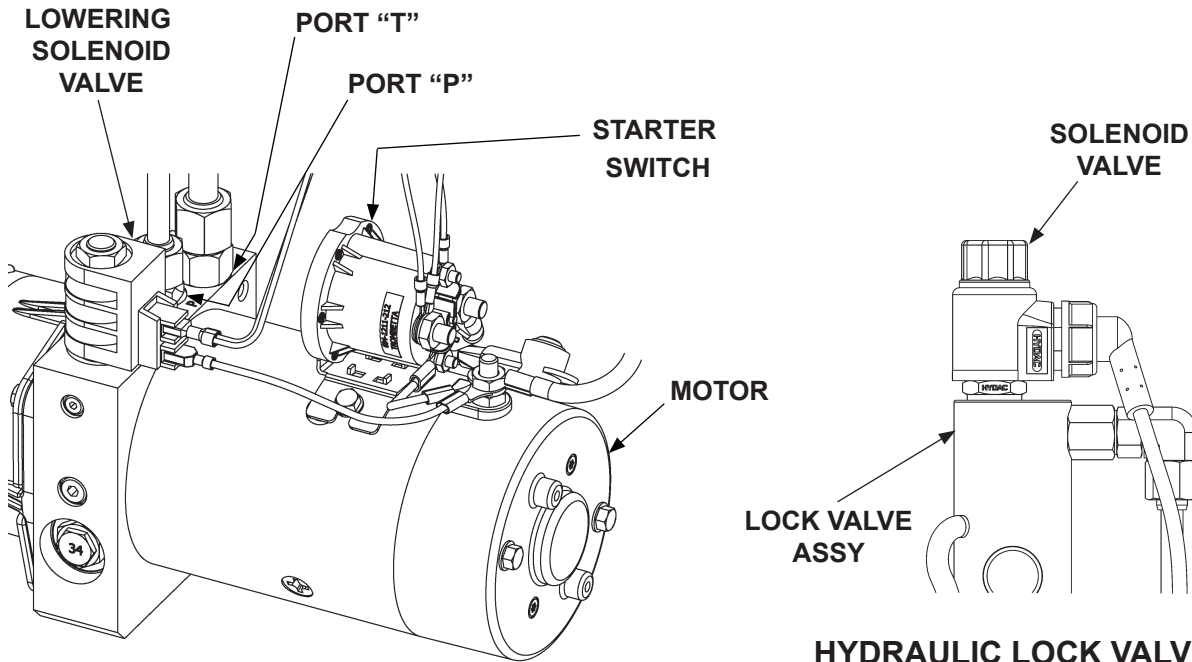
MAXON 11921 Slauson Ave. Santa Fe Springs, CA. 90670 (800) 227-4116 FAX (888) 771-7713

SYSTEM DIAGRAMS

PUMP & MOTOR SOLENOID OPERATION (STANDARD)

MAXON®

11921 Slauson Ave. Santa Fe Springs, CA. 90670 (800) 227-4116 FAX (888) 771-7713



**POWER UNIT
FIG. 142-1**

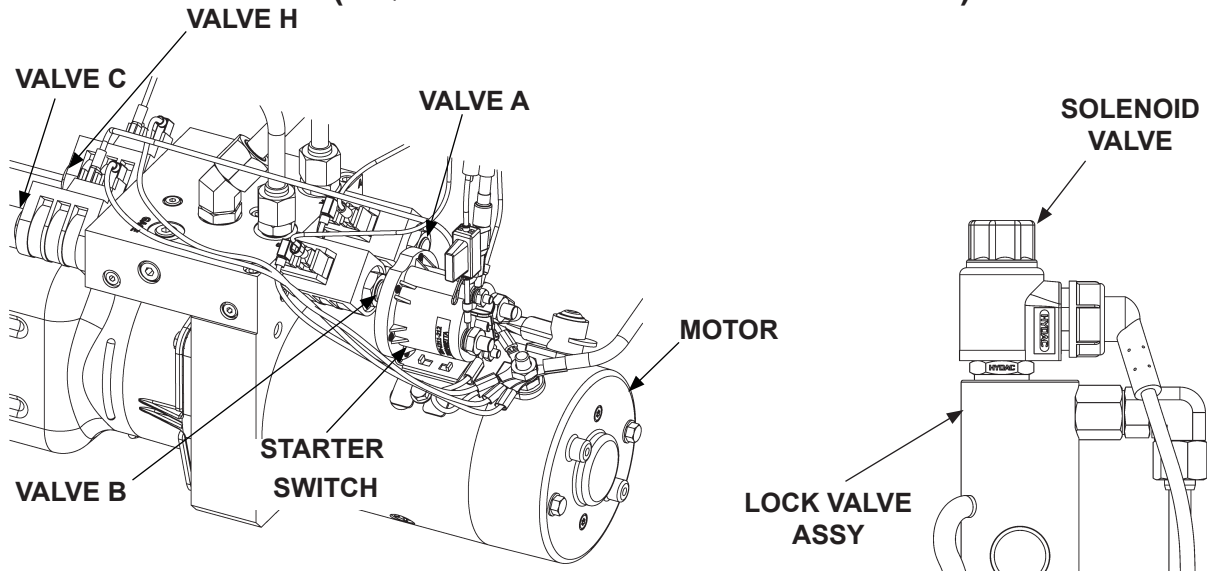
**HYDRAULIC LOCK VALVE
(LH COLUMN CUT-AWAY SHOWING
TOP OF LH CYLINDER)
FIG. 142-2**

NOTE: Hydraulic lock valves located on LH cylinder.

POWER UNIT MOTOR & SOLENOID OPERATION				
LIFTGATE FUNCTION	PORT	SOLENOID OPERATION (✓ MEANS ENERGIZED)		
		MOTOR	LOWERING SOLENOID VALVE	LOCK VALVE
RAISE	P	✓	-	✓
LOWER	T	-	✓	✓
REFER TO VALVES SHOWN ON HYDRAULIC SCHEMATIC				

TABLE 142-1

PUMP MOTOR & VALVE OPERATION (EQUIPPED WITH POWER CLOSER)



**POWER UNIT
FIG. 143-1**

**HYDRAULIC LOCK VALVE
(LH COLUMN CUT-AWAY SHOWING
TOP OF LH CYLINDER)
FIG. 143-2**

NOTE: Hydraulic lock valve located on LH cylinder.

POWER UNIT MOTOR & VALVE OPERATION						
LIFTGATE FUNCTION	MOTOR & VALVE OPERATION (✓ MEANS ENERGIZED)					
	MOTOR	VALVE A	VALVE B	VALVE C	VALVE H	LOCK VALVE
LIFT	✓			✓		✓
LOWER			✓			✓
OPEN		✓				
CLOSE	✓				✓	
REFER TO VALVES SHOWN ON HYDRAULIC SCHEMATIC						

TABLE 143-1

HYDRAULIC SCHEMATIC (STANDARD)

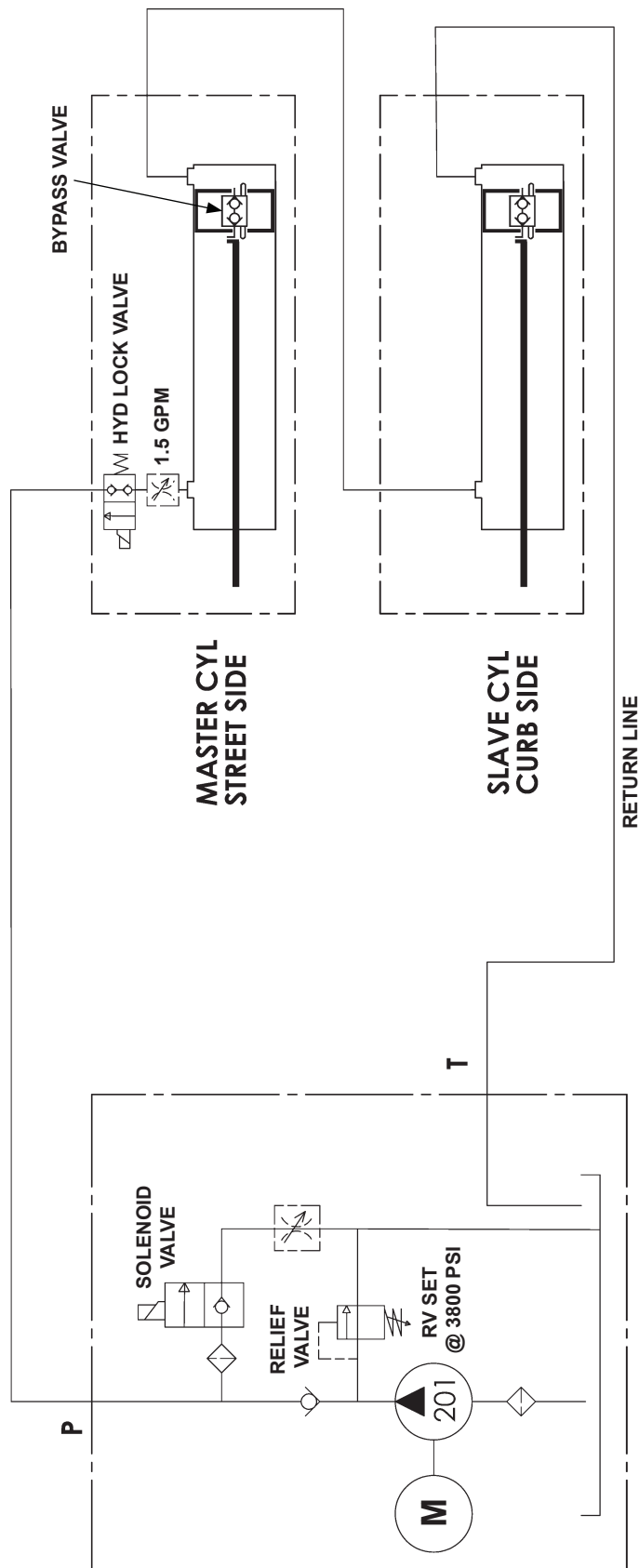


FIG. 144-1

HYDRAULIC SCHEMATIC (EQUIPPED WITH POWER CLOSER)

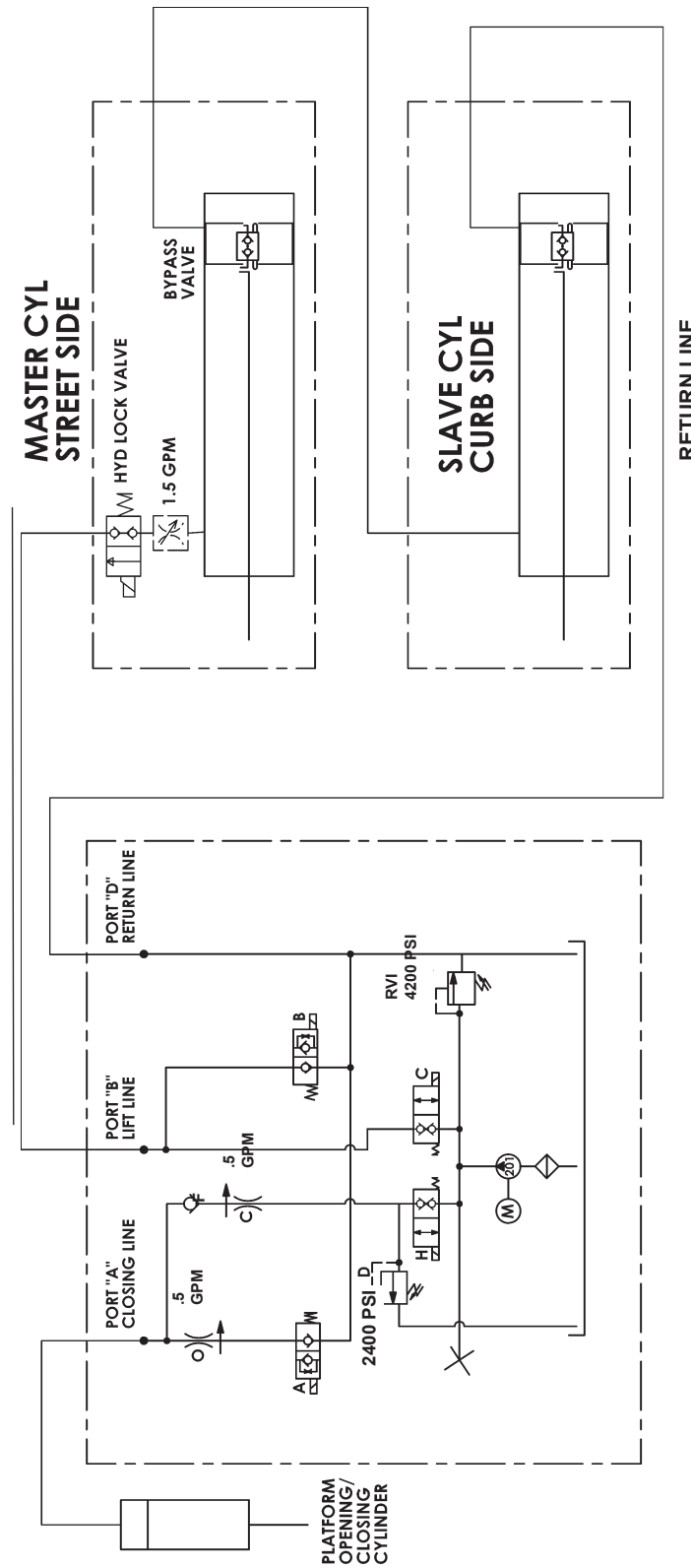


FIG. 145-1

SYSTEM DIAGRAMS ELECTRICAL SCHEMATIC (STANDARD)

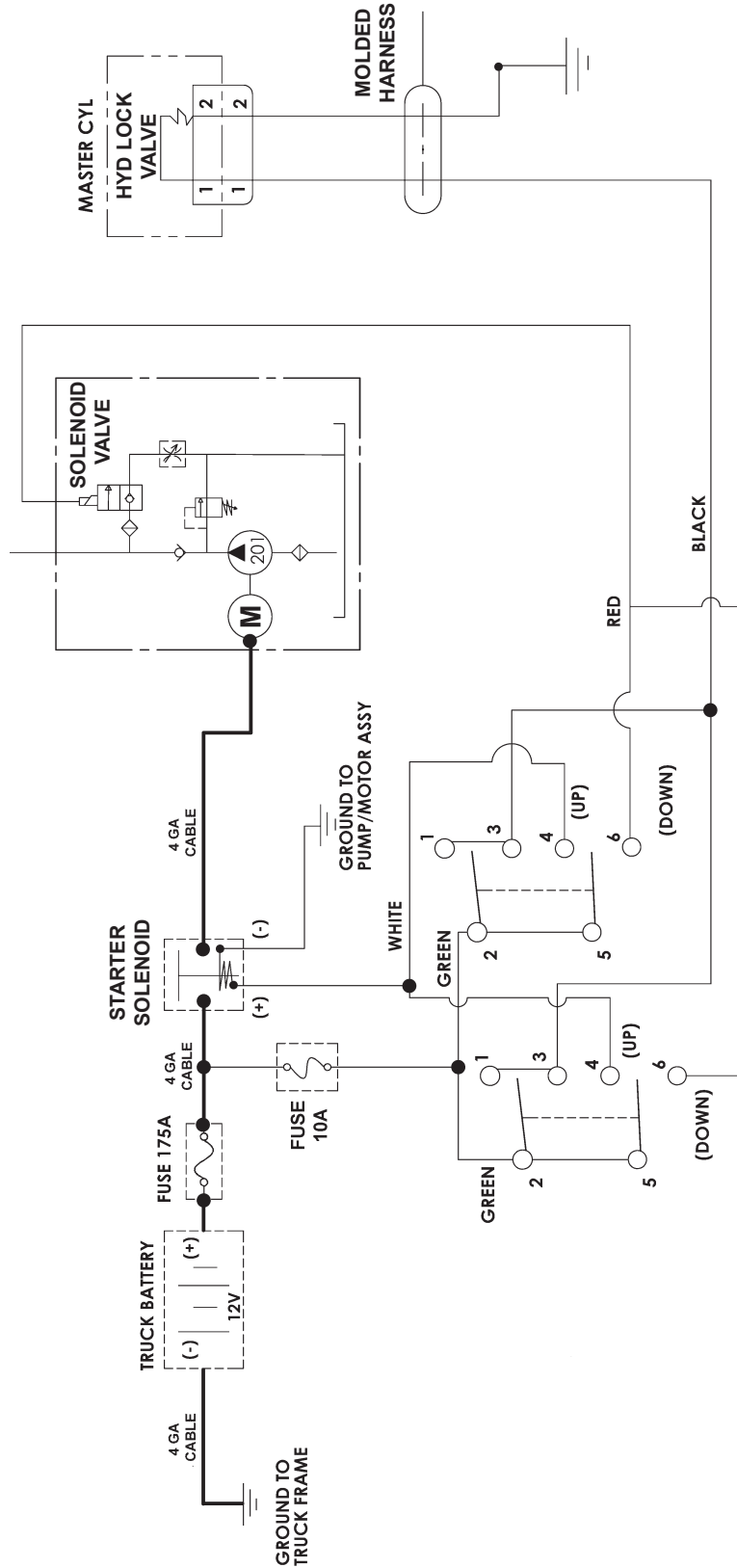


FIG. 146-1

ELECTRICAL SCHEMATIC (EQUIPPED WITH POWER CLOSER)

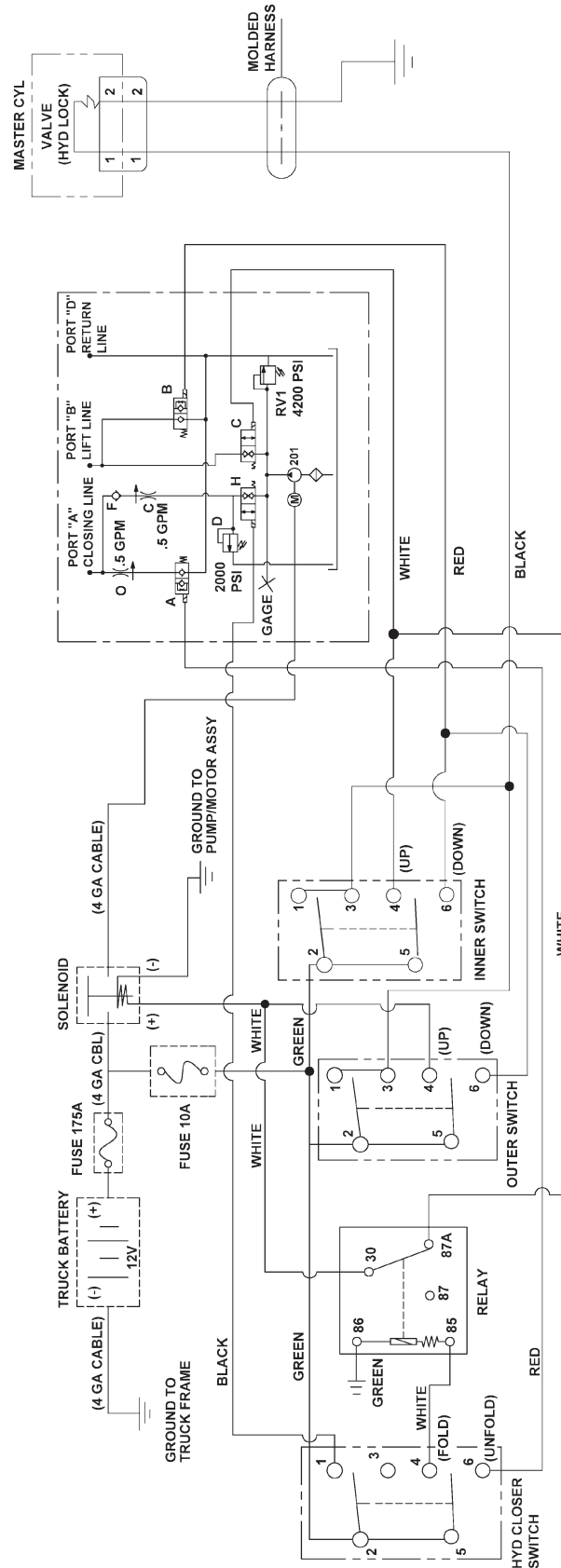
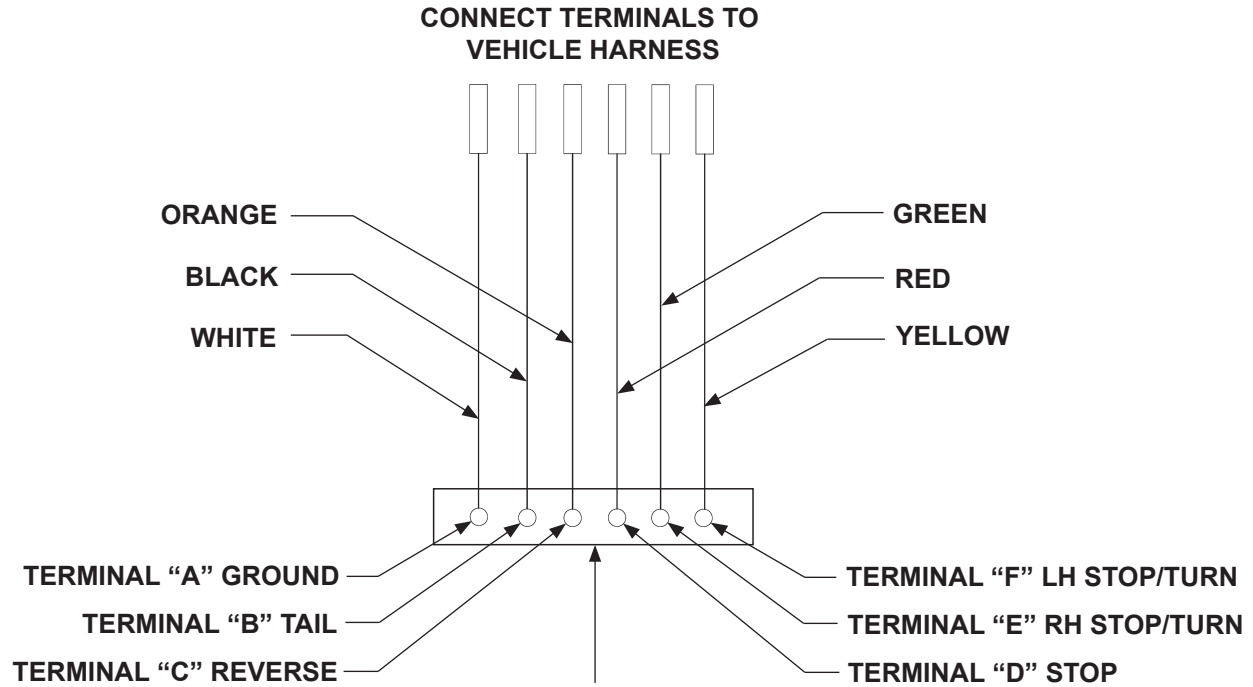


FIG. 147-1

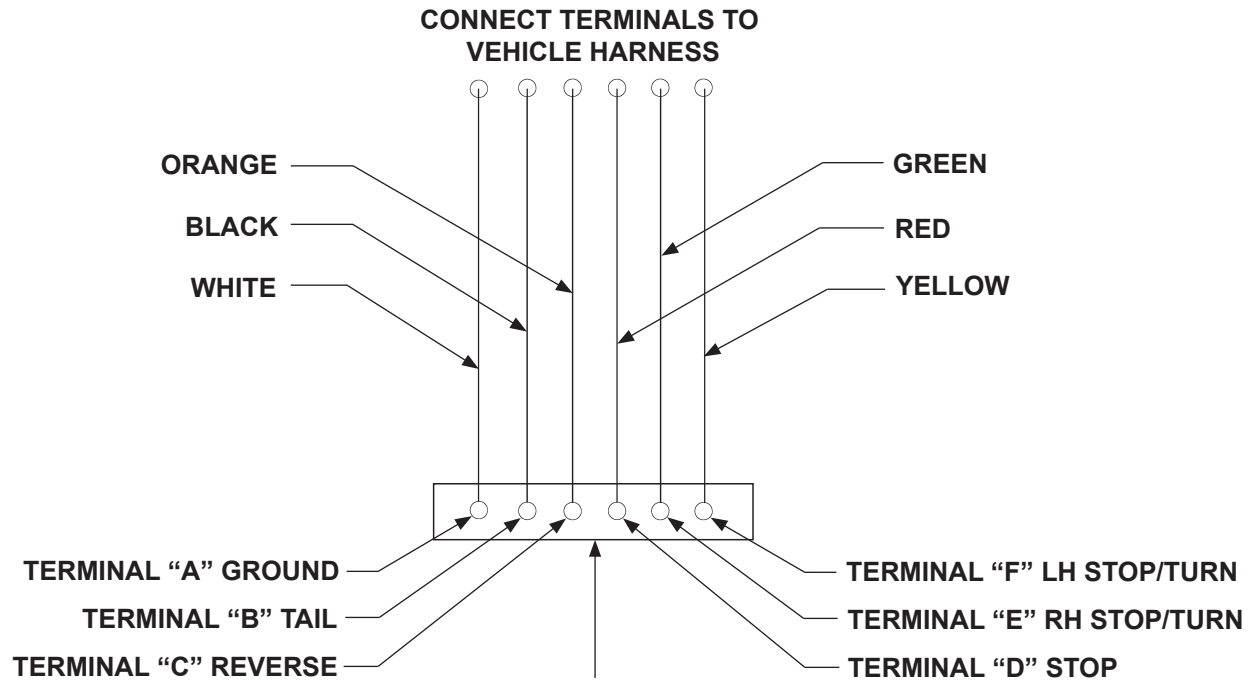
ELECTRICAL SCHEMATIC - JUMPER HARNESS ASSEMBLY

MAXON[®]

11921 Slauson Ave. Santa Fe Springs, CA. 90670 (800) 227-4116 FAX (888) 771-7713



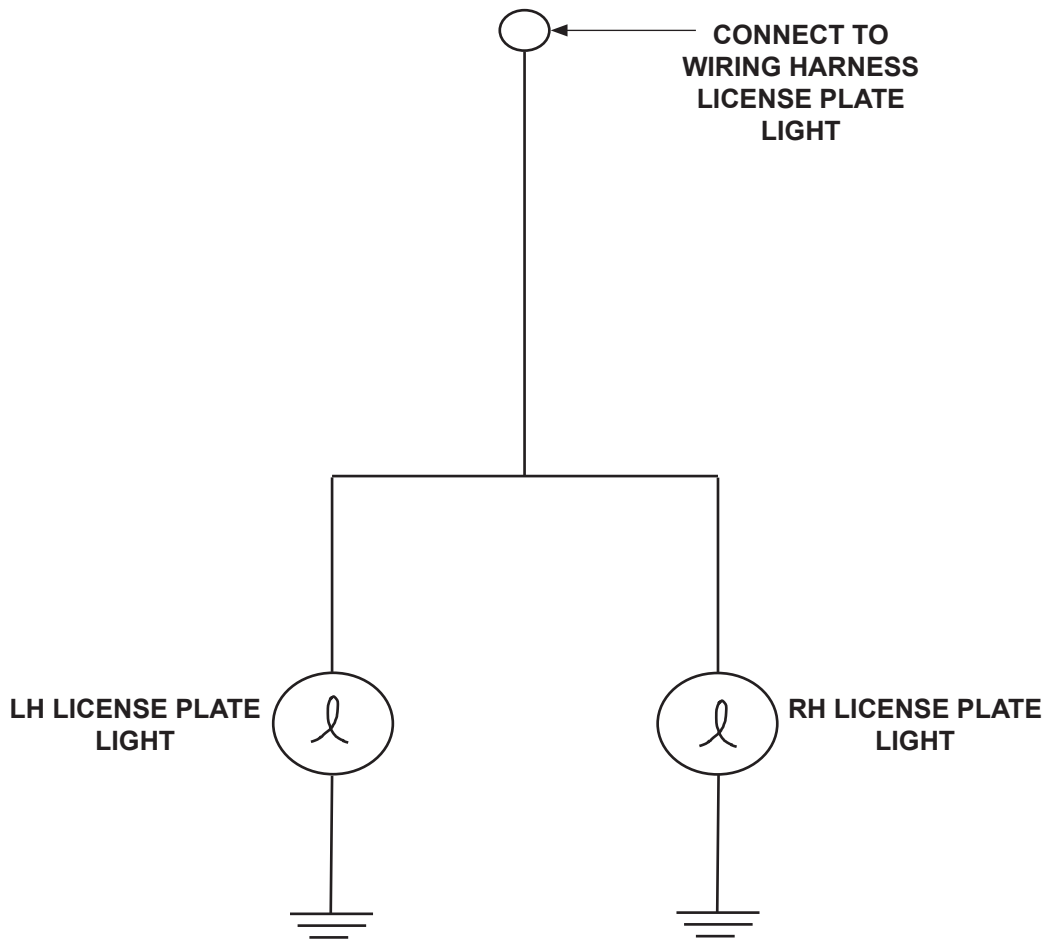
**FOREIGN/DOMESTIC
FIG. 148-1**



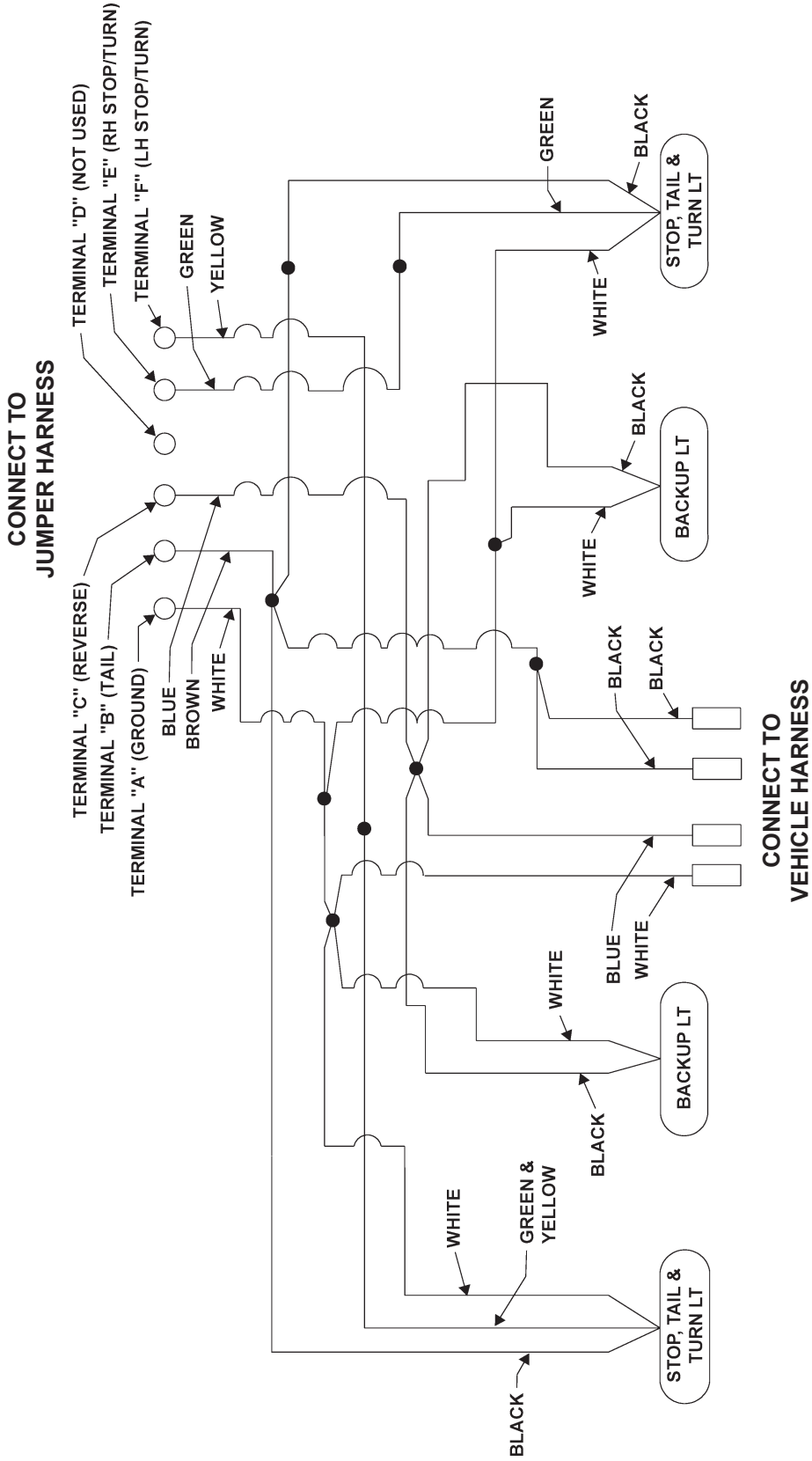
**ISUZU
FIG. 148-2**

SYSTEM DIAGRAMS

ELECTRICAL SCHEMATIC - HOUSING COVER ASSEMBLY (WITHOUT LIGHTS)



ELECTRICAL SCHEMATIC - HOUSING COVER ASSEMBLY (WITH FOUR LIGHTS)



MAXON®

11921 Slauson Ave. Santa Fe Springs, CA. 90670 (800) 227-4116 FAX (888) 771-7713

SYSTEM DIAGRAMS

ELECTRICAL SCHEMATIC - HOUSING COVER ASSEMBLY, FOREIGN VEHICLE (WITH 6 LIGHTS)

