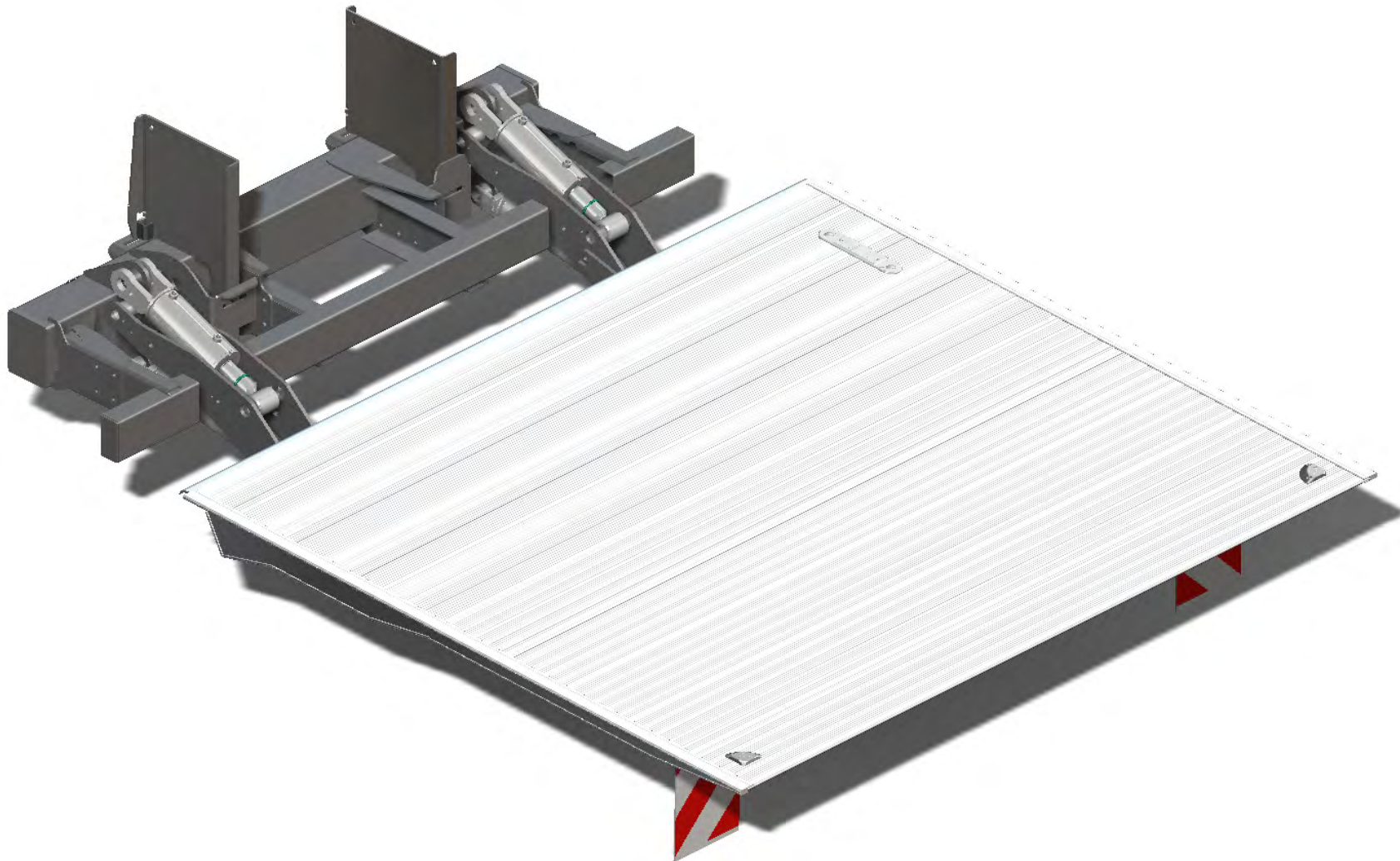


# MAXON®

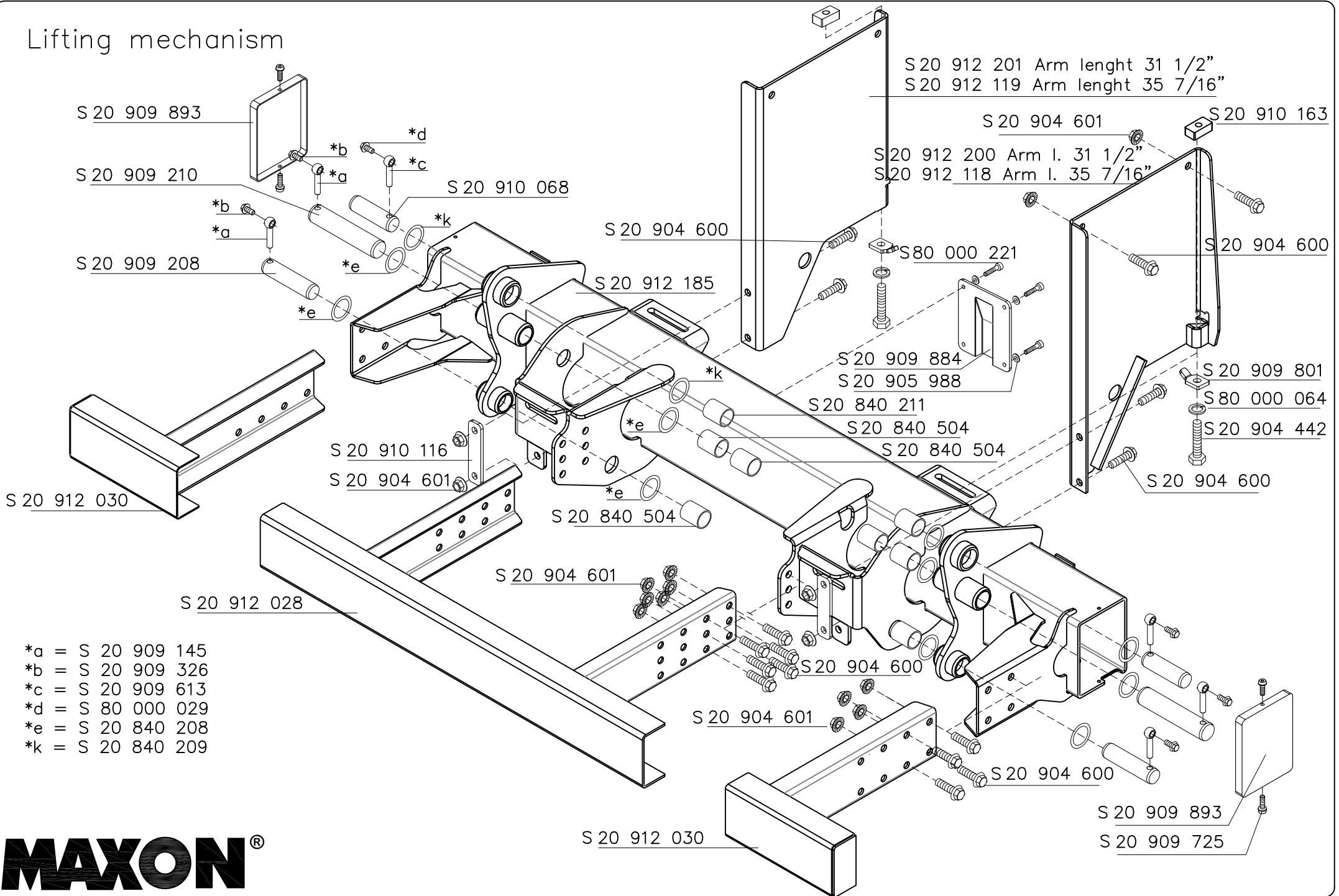
## Spare Parts Catalogue GPC 44 X-4



Document no.: S 20 912 634  
Version 09.2021

**MAXON®** Lift CORP. 11921 Slauson Avenue. Santa Fe Springs, CA 90670 (800) 227 - 4116

# Lifting mechanism



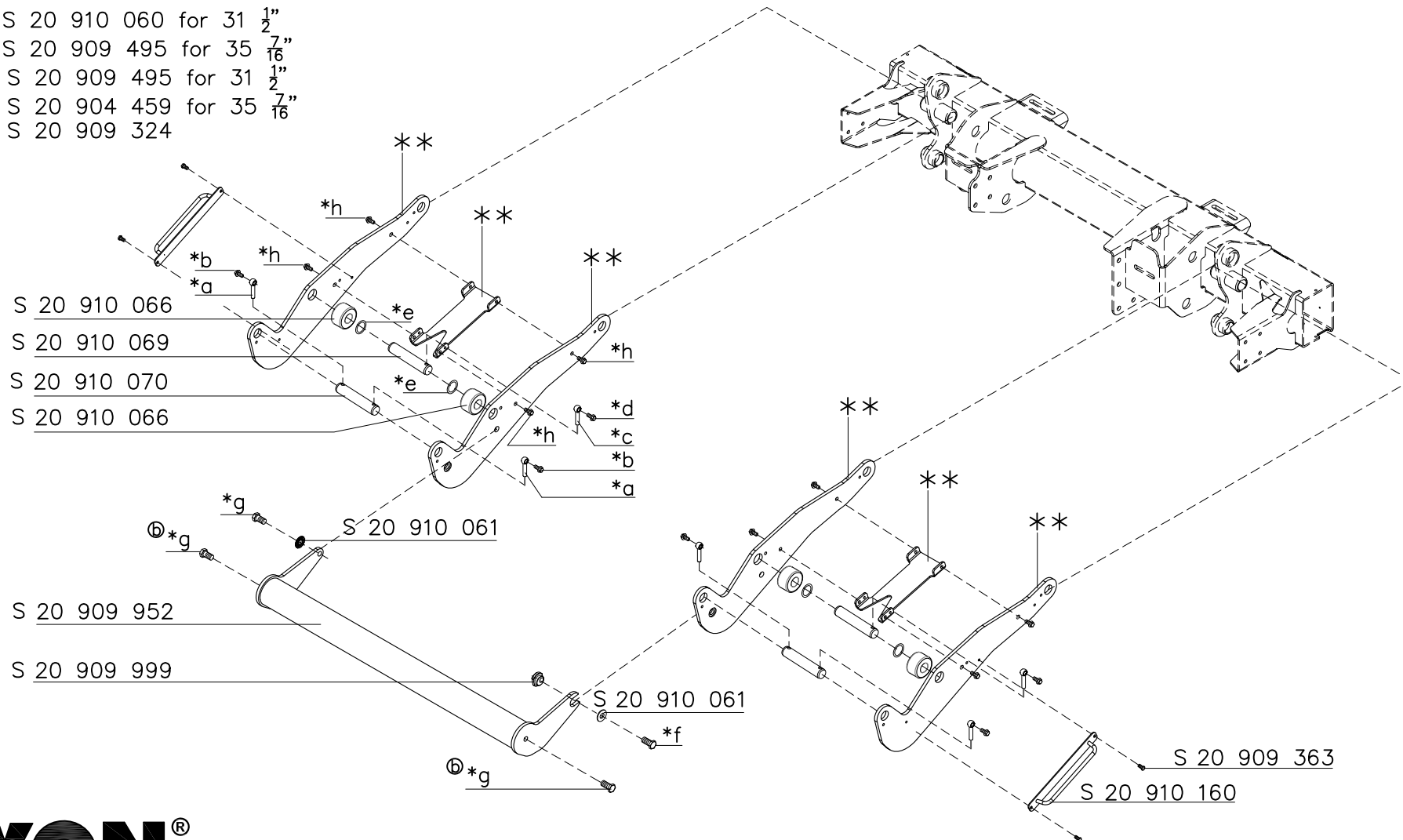
# Lifting mechanism

- \*a = S 20 909 145
- \*b = S 20 909 325
- \*c = S 20 909 613
- \*d = S 80 000 029
- \*e = S 20 840 208
- \*f = S 20 910 060 for 31  $\frac{1}{2}$ "
- \*f = S 20 909 495 for 35  $\frac{7}{16}$ "
- \*g = S 20 909 495 for 31  $\frac{1}{2}$ "
- \*g = S 20 904 459 for 35  $\frac{7}{16}$ "
- \*h = S 20 909 324

\*\*kompletely lifting mechanism

lifting mechanism 31  $\frac{1}{2}$ " (800mm):  
right side + left side S 20 910 056

lifting mechanism 35  $\frac{7}{16}$ " (900mm):  
right side + left side S 20 910 165

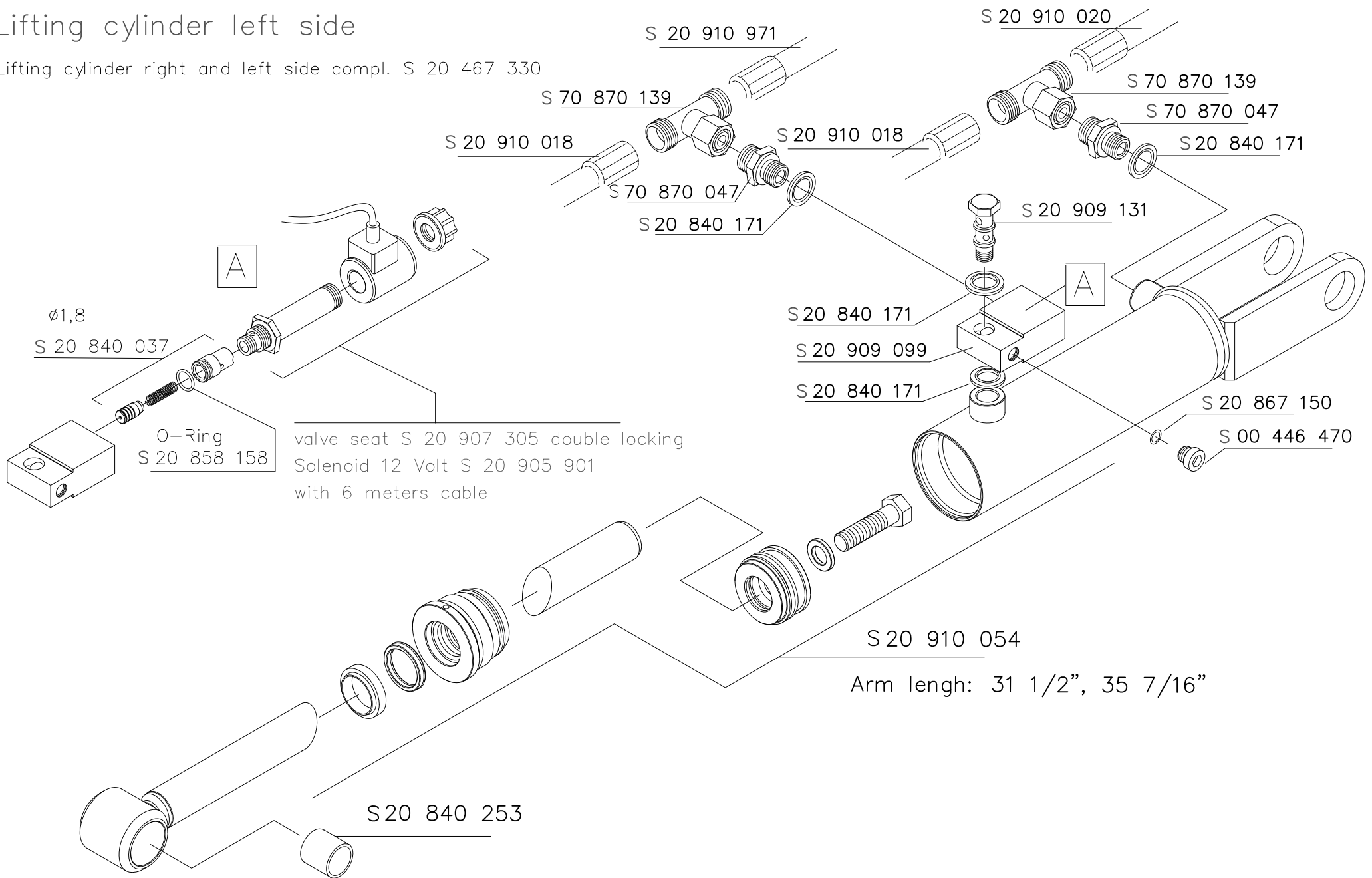


**MAXON**®

GPC 44 X-4

# Lifting cylinder left side

Lifting cylinder right and left side compl. S 20 467 330

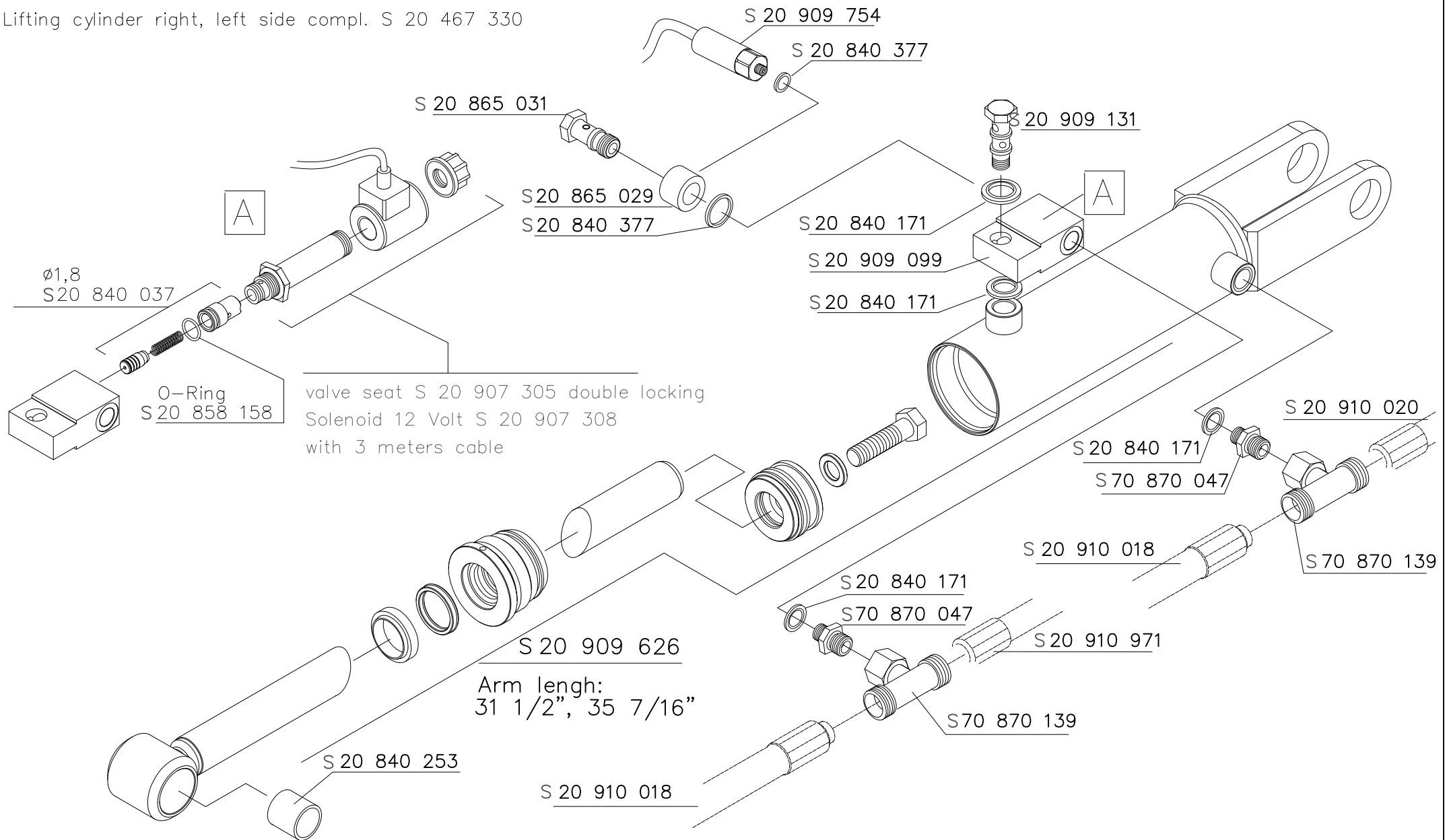


**MAXON**®

GPC 44 X-4

# Lifting cylinder right side

Lifting cylinder right, left side compl. S 20 467 330



# MAXON®

## GPC 44 X-4

Document no.: 20 912 634  
Version 09.2021

# Tilting Cylinder left side

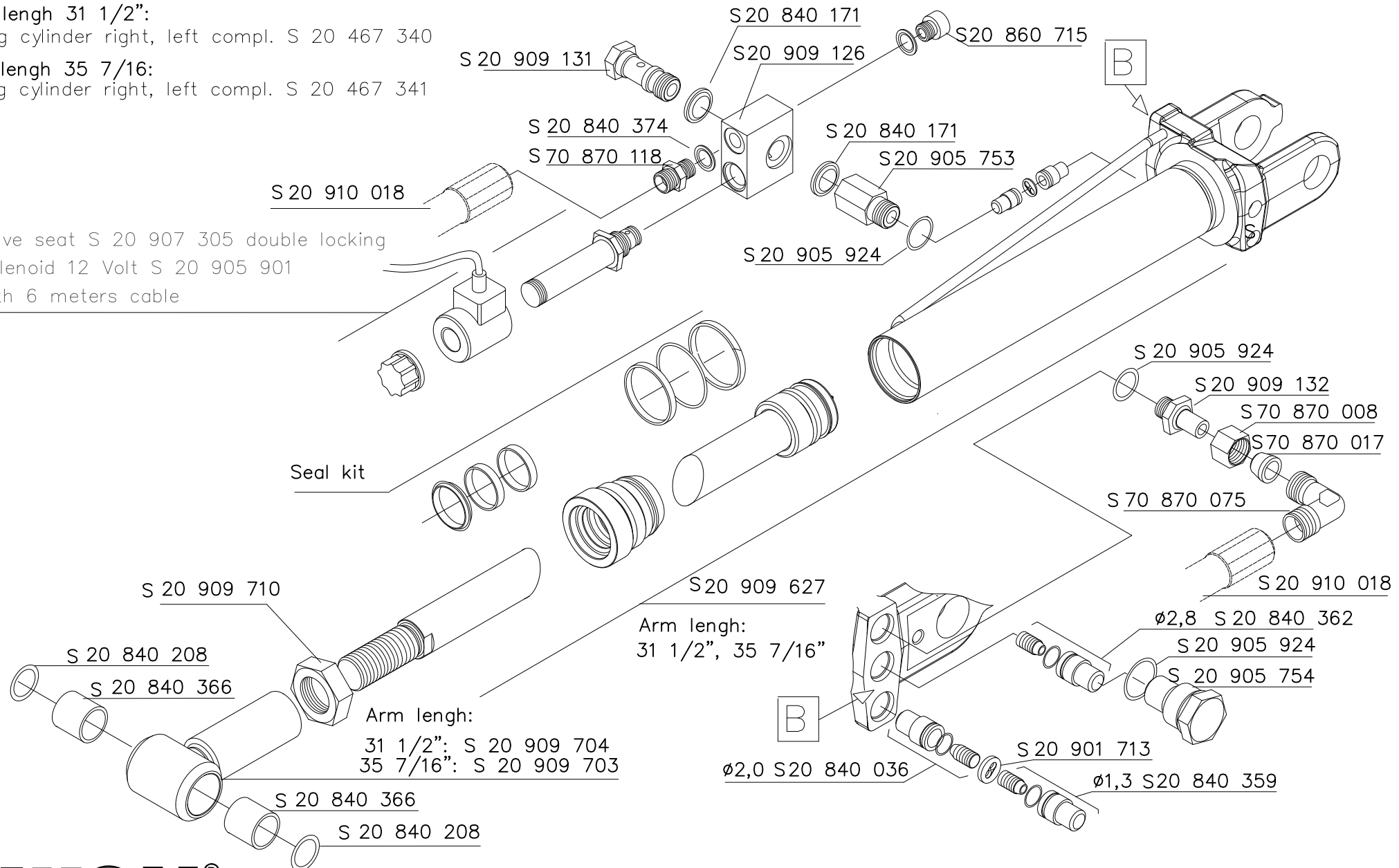
Arm length 31 1/2":

Tilting cylinder right, left compl. S 20 467 340

Arm length 35 7/16":

Tilting cylinder right, left compl. S 20 467 341

valve seat S 20 907 305 double locking  
Solenoid 12 Volt S 20 905 901  
with 6 meters cable



GPC 44 X-4

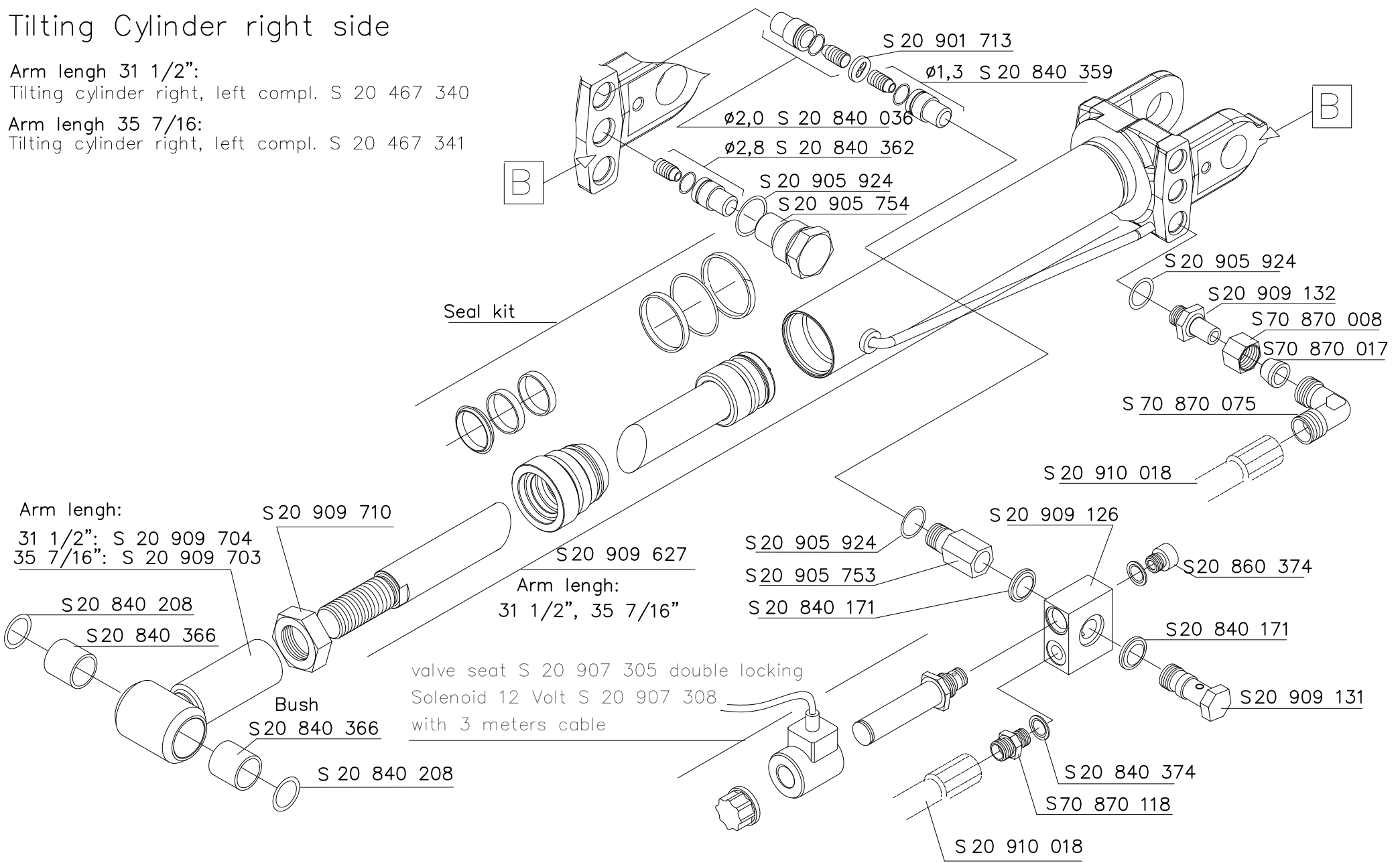
# Tilting Cylinder right side

Arm length 31 1/2":

Tilting cylinder right, left compl. S 20 467 340

Arm length 35 7/16":

Tilting cylinder right, left compl. S 20 467 341



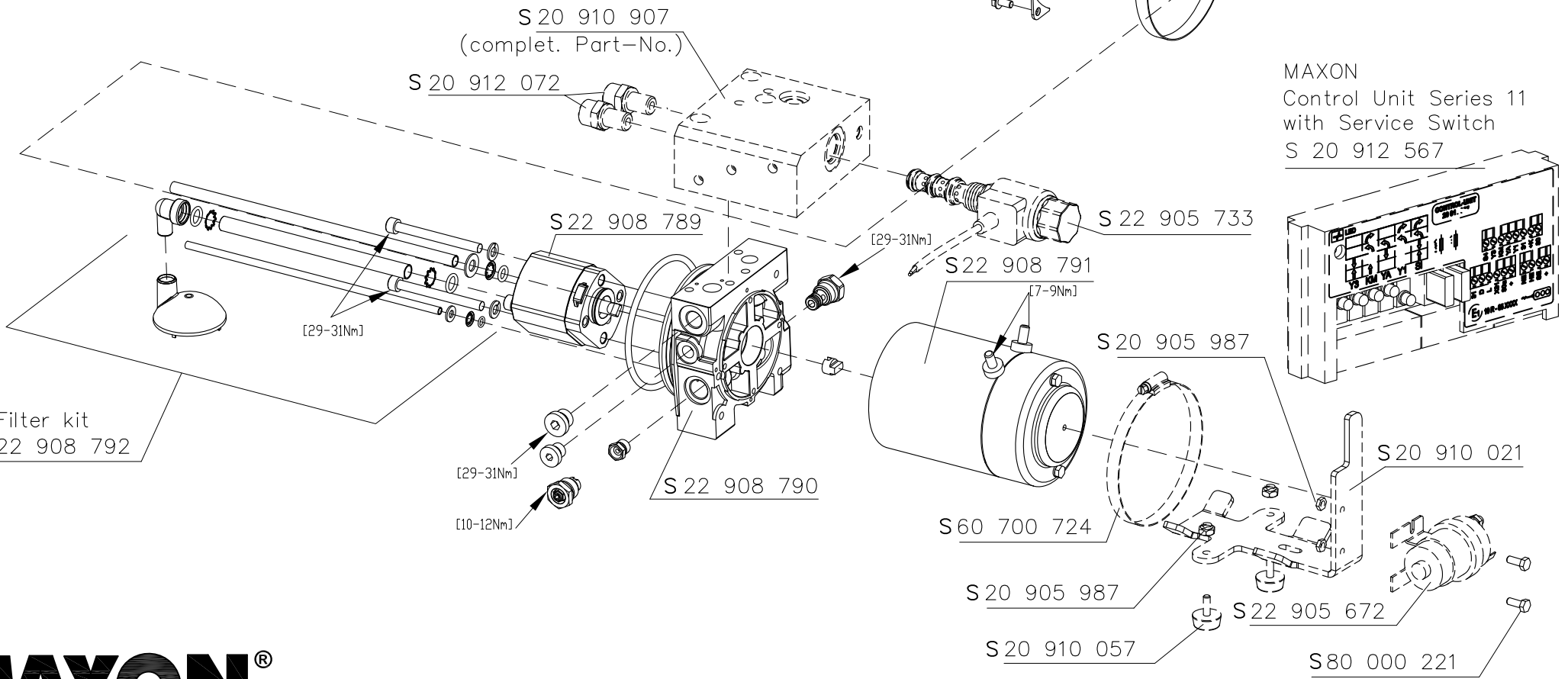
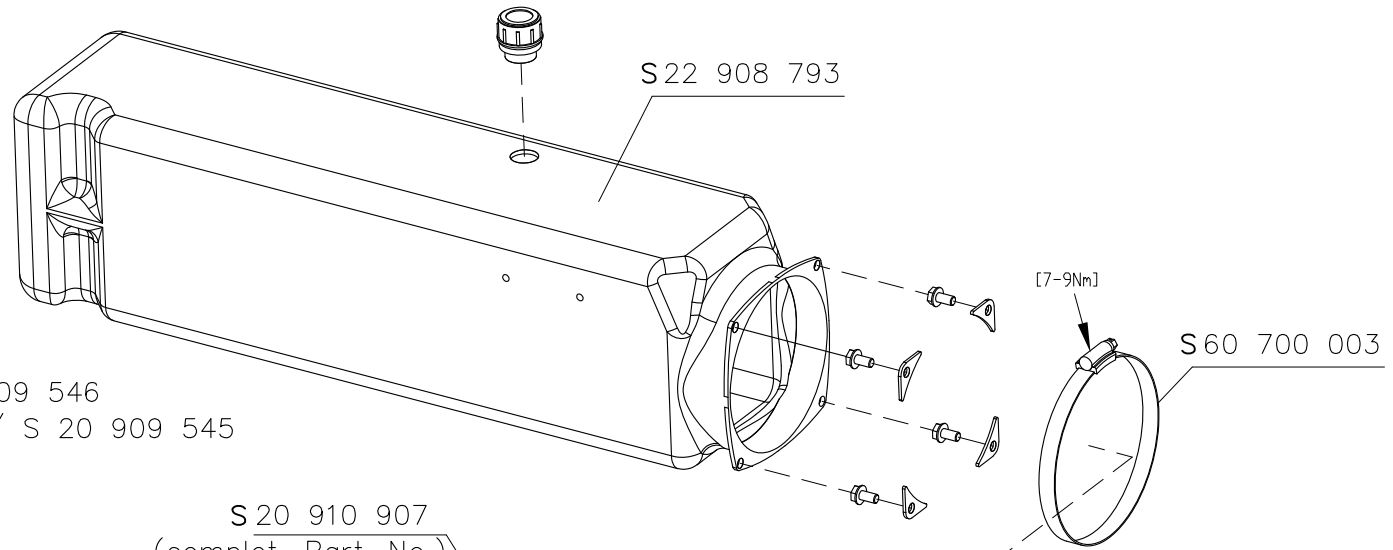
**MAXON**<sup>®</sup>

GPC 44 X-4

Document no.: 20 912 634  
Version 09.2021

Power pack 12V  
S 20 912 305

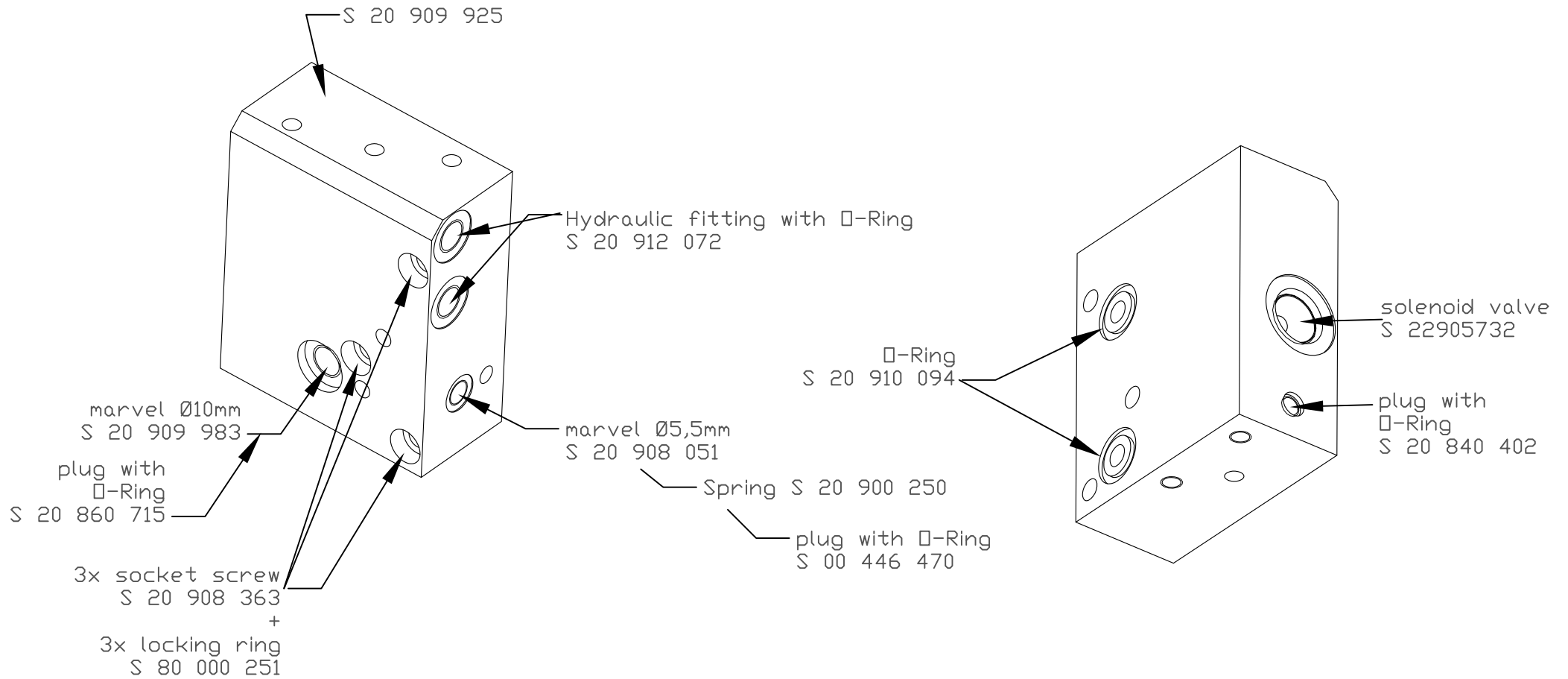
Power wire 50 qmm / S 20 909 546  
Power wire 50 qmm incl. fuse / S 20 909 545





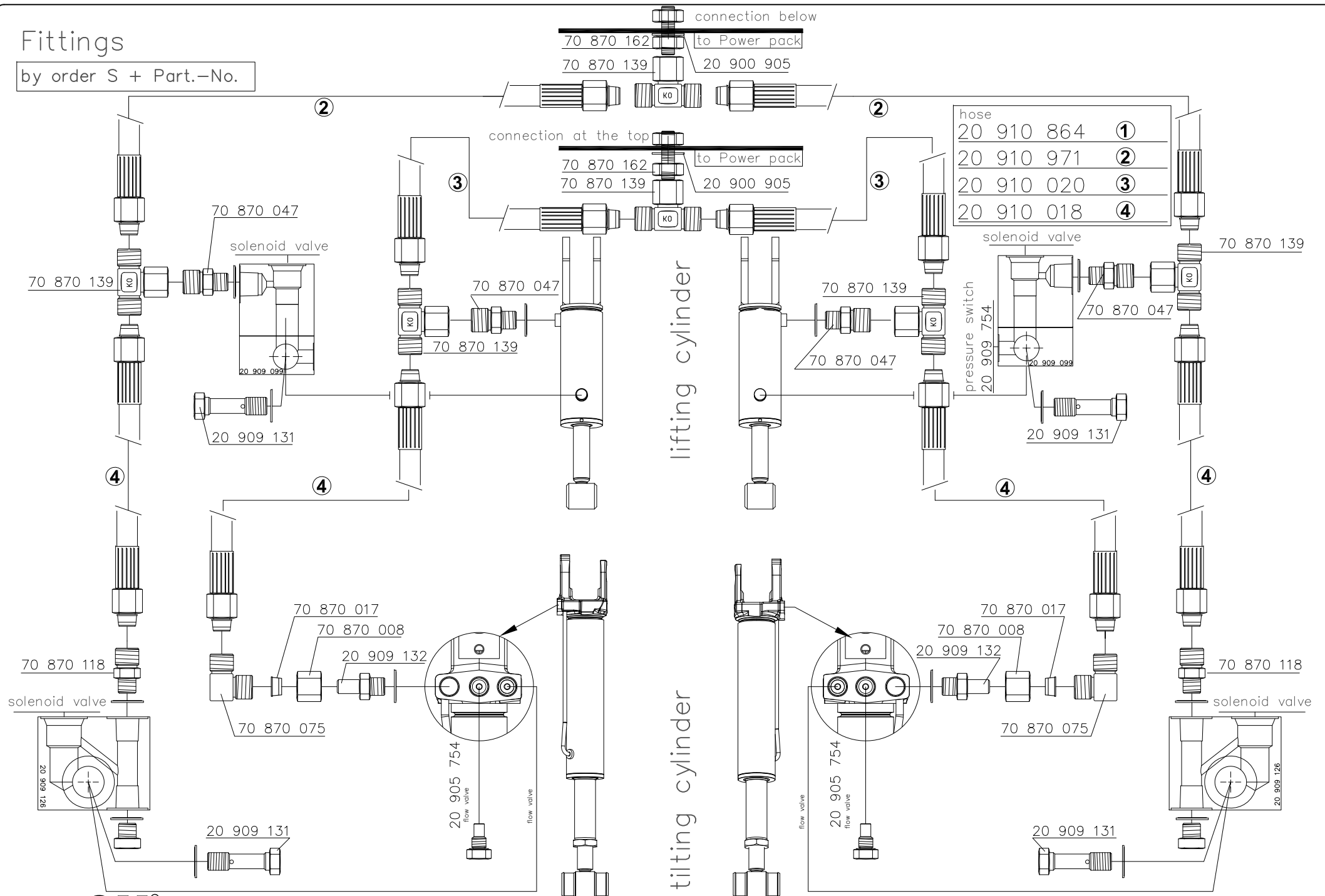
# Valve body in power pack

valve body S 20 909 925 in power pack, completely part.-no.: S 20 910 907



# Fittings

by order S + Part.-No.

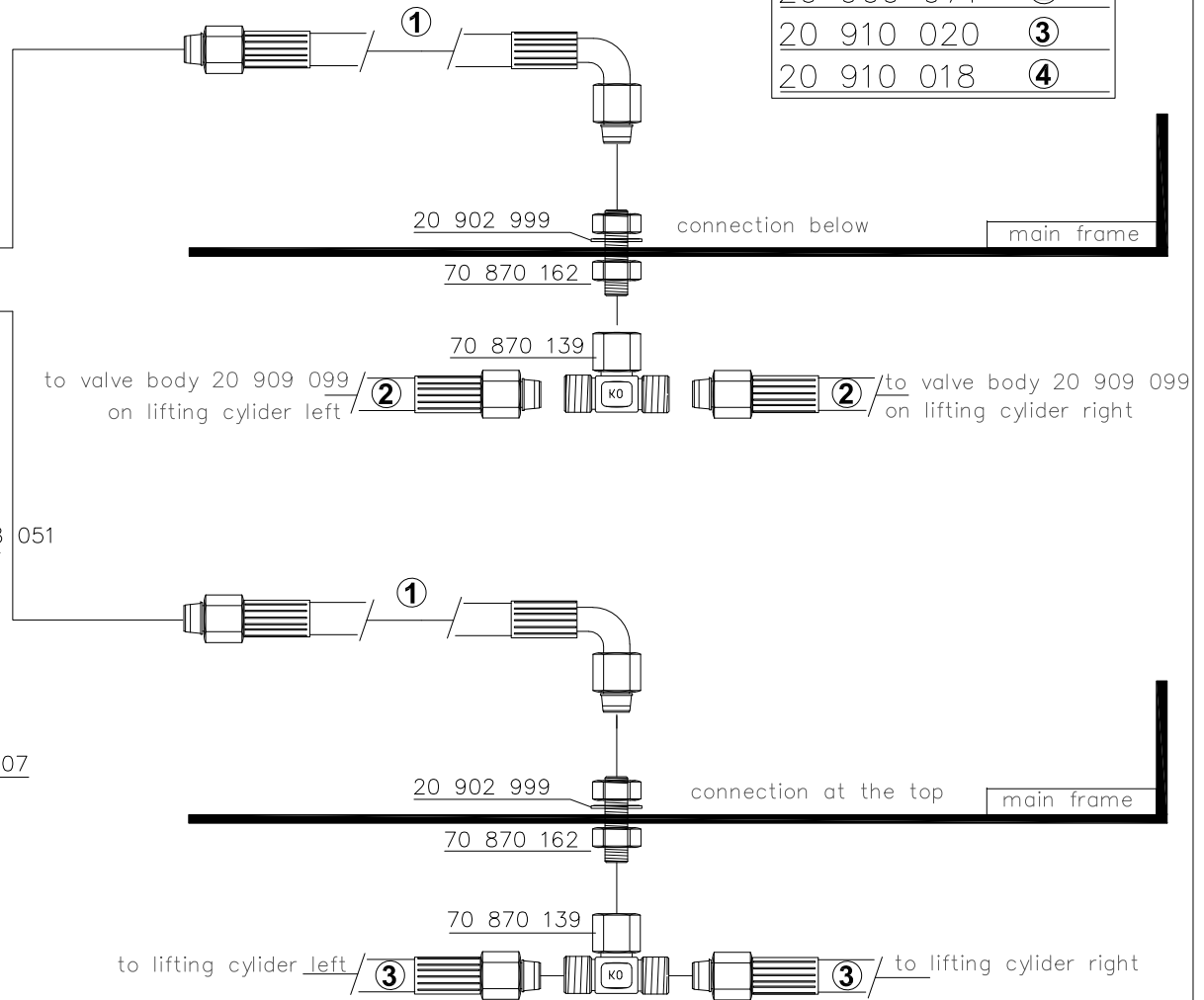
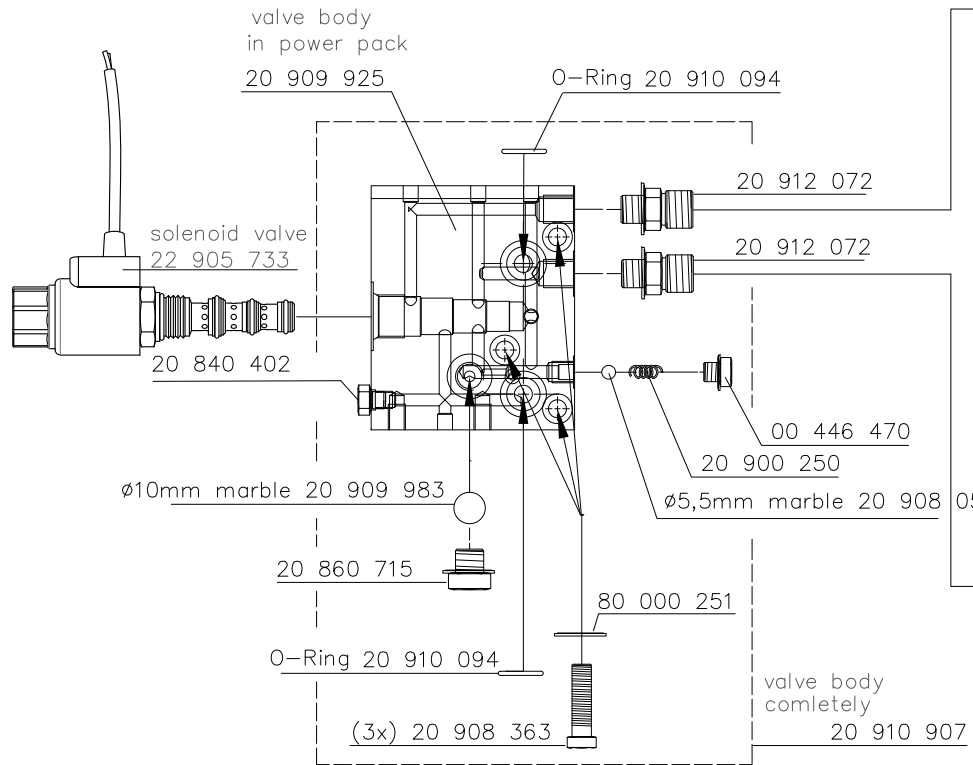


GPC 44 X-4

# Fittings

by order S + Part.-No.

hose	
20 910 864	①
20 909 971	②
20 910 020	③
20 910 018	④



# Elektrical connection GPC X-1 and X-4 standard liftgate at series 11

Control-Unit with service switch Series 11  
(in the powerpack) with plugs for harness

harness  
Part.-No. S 20 911 365

option harness  
Part.-No. S 20 911 494  
for cabled remote

3-button cabled remote  
Part.-No. S 20 911 191  
2-button cabled remote  
Part.-No. S 20 911 190

harness  
Part.-No. S 20 911 364

\*4 plug connection  
2 or 3 button cabled remote

\*3 connection plug  
platform

\*2 connection plug  
MAXON control panel

MAXON control panel  
Part.-No. S 20 912 464

\*5 option harness  
Part.-No. S 20 911 495  
for radio control remote

cabin switch on / off  
for liftgate  
Part.-No. S 20 906 974

option:  
control-LED  
Part.-No. S 20 905 547

\*1 ETMA- connection plug  
liftgate on / off switch

**MAXON**<sup>®</sup>

Platform

A MAXON sign  
S 20 905 980

S 20 911 445 cable-set  
(with flash-light and food-control)

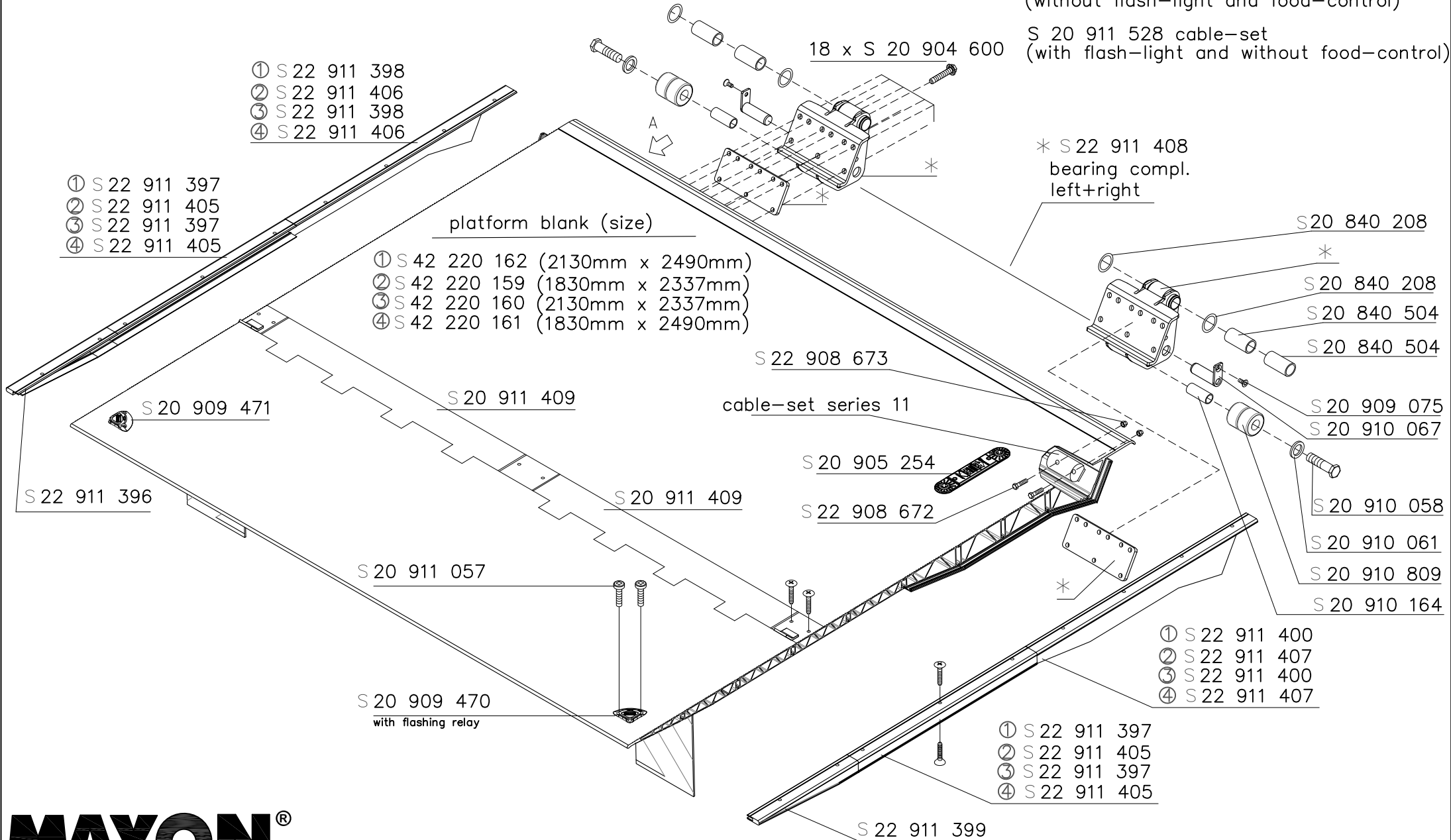
S 20 910 769 cable-set  
(without flash-light and food-control)

S 20 911 528 cable-set  
(with flash-light and without food-control)

- ① S 22 911 398
- ② S 22 911 406
- ③ S 22 911 398
- ④ S 22 911 406

- ① S 22 911 397
- ② S 22 911 405
- ③ S 22 911 397
- ④ S 22 911 405

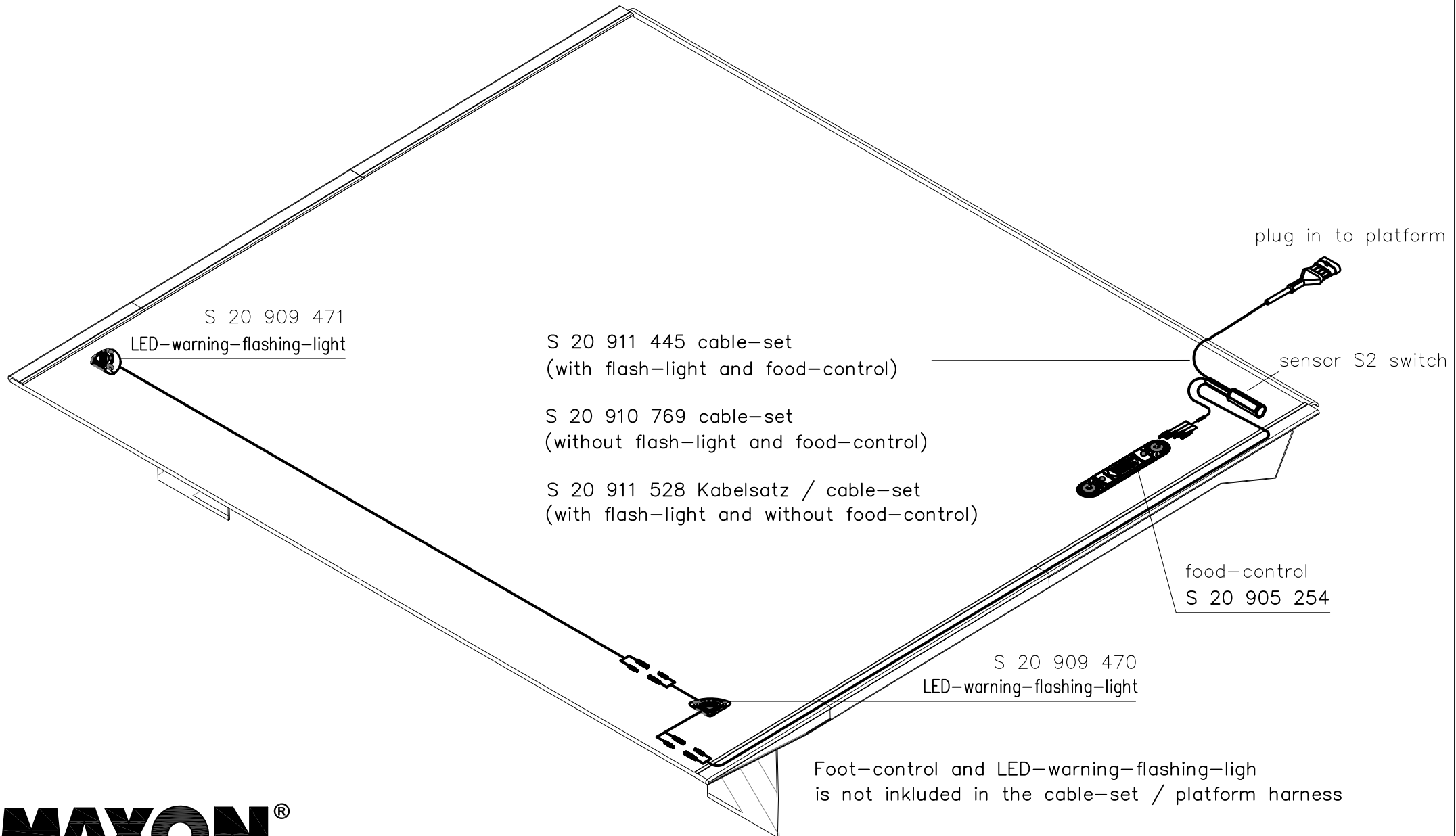
- platform blank (size)
- ① S 42 220 162 (2130mm x 2490mm)
  - ② S 42 220 159 (1830mm x 2337mm)
  - ③ S 42 220 160 (2130mm x 2337mm)
  - ④ S 42 220 161 (1830mm x 2490mm)



**MAXON**®

GPC 44 X-4

platform set of cables at series 11, GPC X-1 and GPC X-4 standard

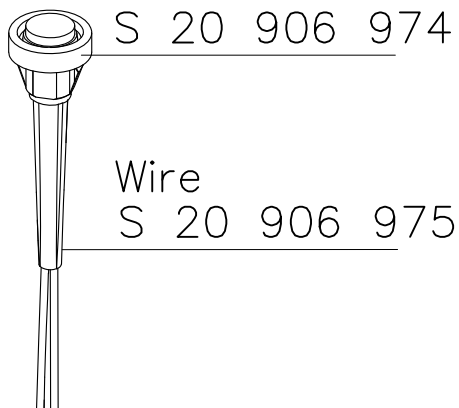


**MAXON**<sup>®</sup>

**GPC X1 - X4 standard**

Series 11  
Stand 10.2020

GPC X-1 and GPC X-4 standard Control Unit series 11, Control Panel

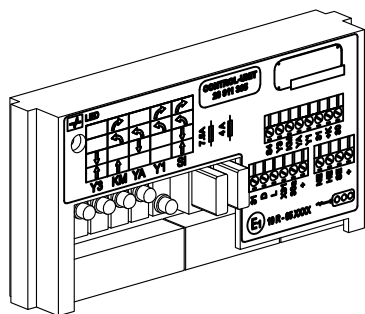


S 20 906 974

Wire

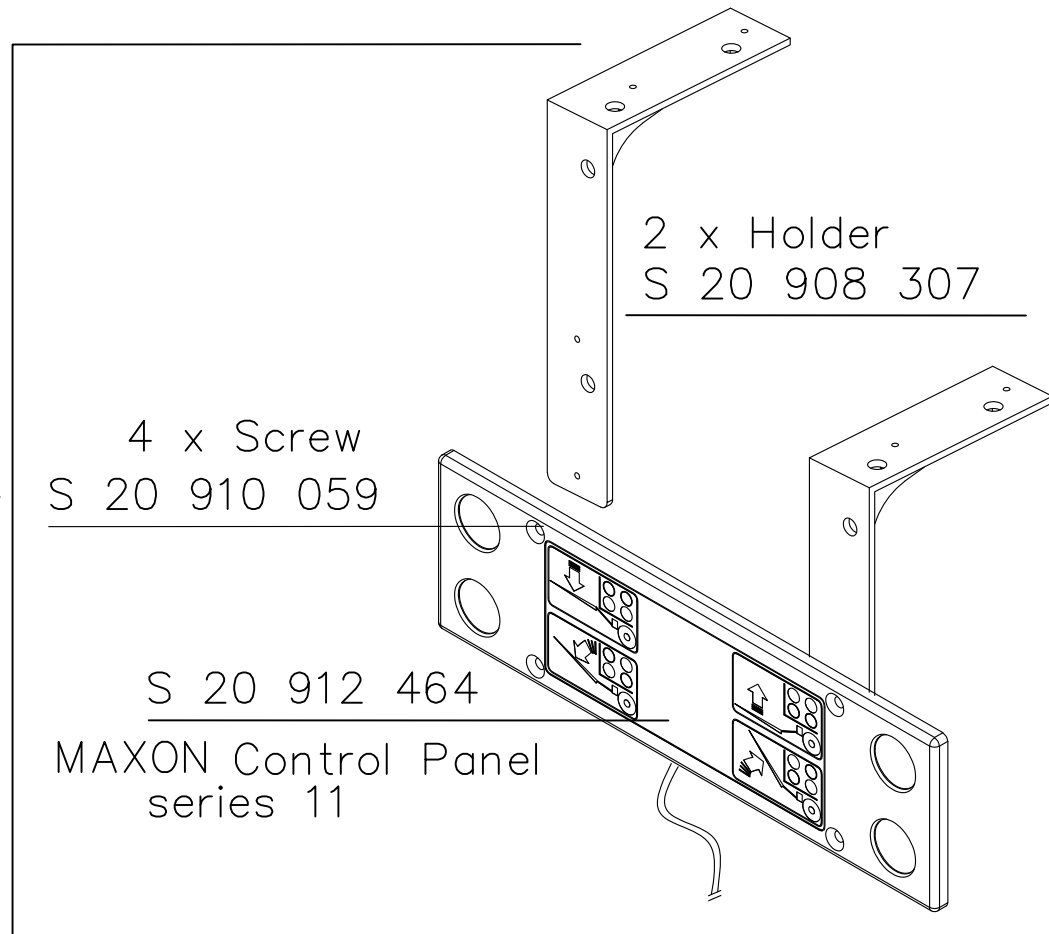
S 20 906 975

MAXON  
Control Panel  
with Screws  
incl. Holder  
S 20 912 465



S 20 912 567

MAXON  
Control Unit Series 11  
with Service Switch



2 x Holder  
S 20 908 307

4 x Screw  
S 20 910 059

S 20 912 464

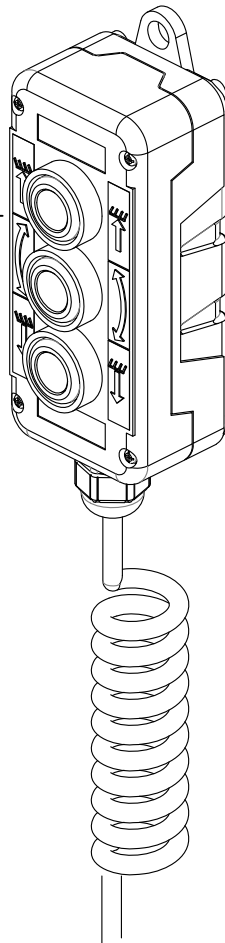
MAXON Control Panel  
series 11

S 20 911 364 with out picture cable-set for Control Unit series 11

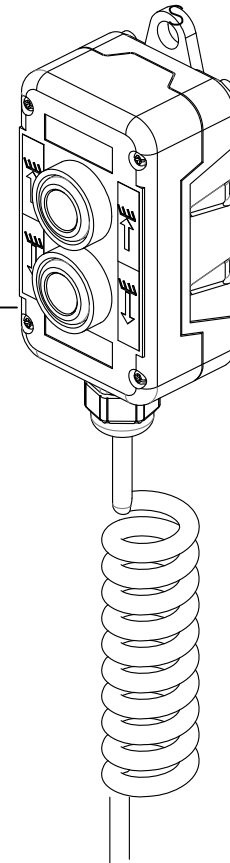
S 20 911 359 with out picture cable-set for Powerpack Series 11

Option Cabled remote

3-Button  
cabled remote  
S 20 911 191



2-Button  
cabled remote  
S 20 911 190



Holder  
S 22 905 783

