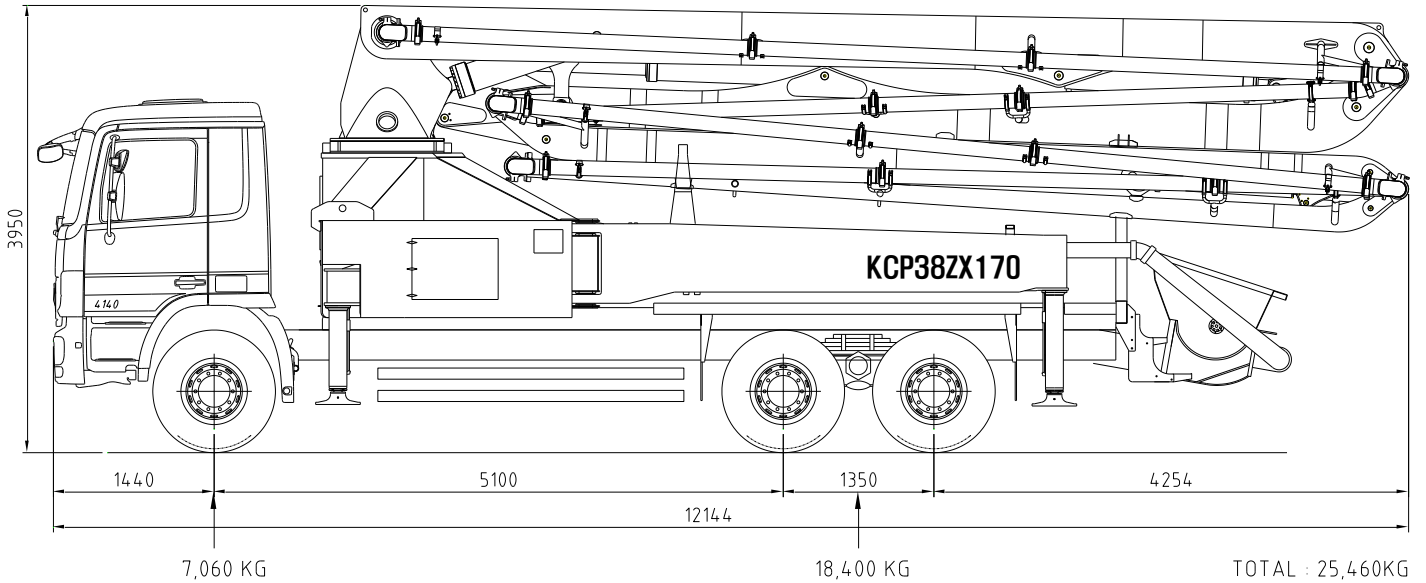


Our Pride ...

KCP38ZX170



▣ Boom specifications

Vertical reach	37.3 M
Horizontal reach	34 M
Reach from front of truck	31.6 M
Unfolding height	9.5 M
Section articulation	94°/180°/250°/245°
Rotation	370°
Delivery line	125 mm
Proportional boom	Yes
End hose length	3.5M
Outrigger spread-front	6.18 M
Outrigger spread-rear	7.15 M
Max.outrigger weight	23,500kg

- ⊙ Truck specifications : Mercedes BENZ 4140 (390PS,EURO2)
- ⊙ Maximum theoretical values listed.
- ⊙ Photos and drawings are for illustrative purpose only
- ⊙ Right to make technical amendments reserved

▣ Working diagram

▣ Pump specifications

Maximum output	170 m³/h
Concrete cylinder	Ø230×2100
Stroke per minute	32
Concrete pressure	72 bar
Hopper capacity	0.6 m³
S-tube	Ø200×Ø180
Hydraulic pump	KCP-K3V180DT
Cycling system	Hydraulic with manual overrides
Max. aggregate size	40 mm

