

SPECIFICATIONS

Pump Kit on S 58 SX / S 61 SX

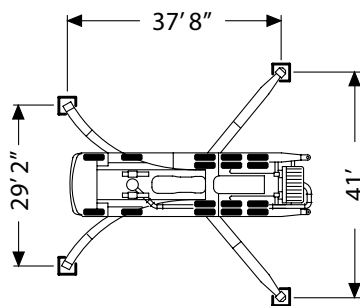
	2525H-6 120/85 MPS U.S.	Metric
Theor. Concrete Output Per Hour (cubic yards - cubic meters)	213	163
Maximum Pressure on Concrete (psi - bar)	1169	80
Maximum Strokes Per Minute	22	
Material Cylinder Diameter (in. - mm)	10	254
Material Cylinder Stroke Length (in. - mm)	98	2500
Differential Cylinder Diameter (in. - mm)	4.7	120
Maximum Aggregate Size (in. - mm)	2.5	63.5

Boom Specifications

S 58 SX / S 61 SX

	U.S.	Metric
Pipeline Diameter (in. - mm)	5 / 4.5	125 / 112
Vertical Reach (ft.-in. - m)	187-9 / 197-1	57.2 / 60.1
Horizontal Reach (ft.-in. - m)	175-2 / 184-6	53.4 / 56.1
Net Horizontal Reach (ft.-in. - m)	162-6 / 171-9	49.5 / 52.3
Unfolding Height (ft.-in. - m)	56-5 / 59-8	17.2 / 18.2
Section Lengths		
First Section (ft.-in. - m)	34 / 34	10.4 / 10.4
Second Section (ft.-in. - m)	49 / 49	15 / 15
Third Section (ft.-in. - m)	47-3 / 50-8	14.4 / 15.4
Tip Section (ft.-in. - m)	44-10 / 50-8	13.6 / 15.4
Slewing Range (degrees)	380° / 380°	
End hose length (ft. - m)	12 / 10	3.6 / 3

Specifications are subject to change without prior notice.



EASy One Sided Outrigging System

