



2021

Corona Chrome Full Line Catalog



PRICES ARE SUBJECT TO CHANGE
2021 v1.f

CORONACHROME.com 619-251-9089   @coronachrome

How to read this catalog.

Due to the potential age of some items, original equipment and new equipment items are designated with one or two asterisks below the photo of the category.

* = Original Equipment

** = New Equipment

Certain items qualify for an optional core exchange. Core value is deducted from total cost when received. If you see this symbol inquire to receive a core exchange discount value.

{CE\$} = Qualifies for Core Exchange

Don't see something you're looking for? Contact us with questions/comments.

Call or Text 619-251-9089

Email: sixonebubble@gmail.com

Gift Cards Available



Corona Chrome Gift Cards - Any denomination \$25 minimum. Contact us today to purchase your gift certificate today.

Pricing

Every attempt is made to keep our prices as close to the current catalog list price as possible. However, because of price fluctuations from our suppliers, equipment sourcing and volume buying, the price of some items may increase or decrease accordingly.

Returns

Before returning any part(s), a return authorization number is required. Returns without an RA number will delay the credit or exchange and in some cases they will be returned to you. Some items are not returnable depending on application and condition of item(s). However, we may consider purchasing them from you depending on condition and application. All returns are subject to up to a 20% restocking fee. Shipping is subjective on each individual issue.

TABLE OF CONTENTS

STEERING LINKAGE SETS ----- 1-3

STEERING LINKAGE COMPONENTS ----- 4-5

STEERING COMPONENTS ----- 6-7

SUSPENSION ----- 8-13

GAS TANK STRAPS ----- 14

HOOD HINGES & WIPERS ----- 15

ENGINE COMPARTMENT ----- 16-18

UNDERBELLY CHROME ----- 19-20

BRAKE DRUMS & COMPONENTS ----- 21

HARDWARE ----- 22-25

BUSHING AND BOOT SETS ----- 26-28

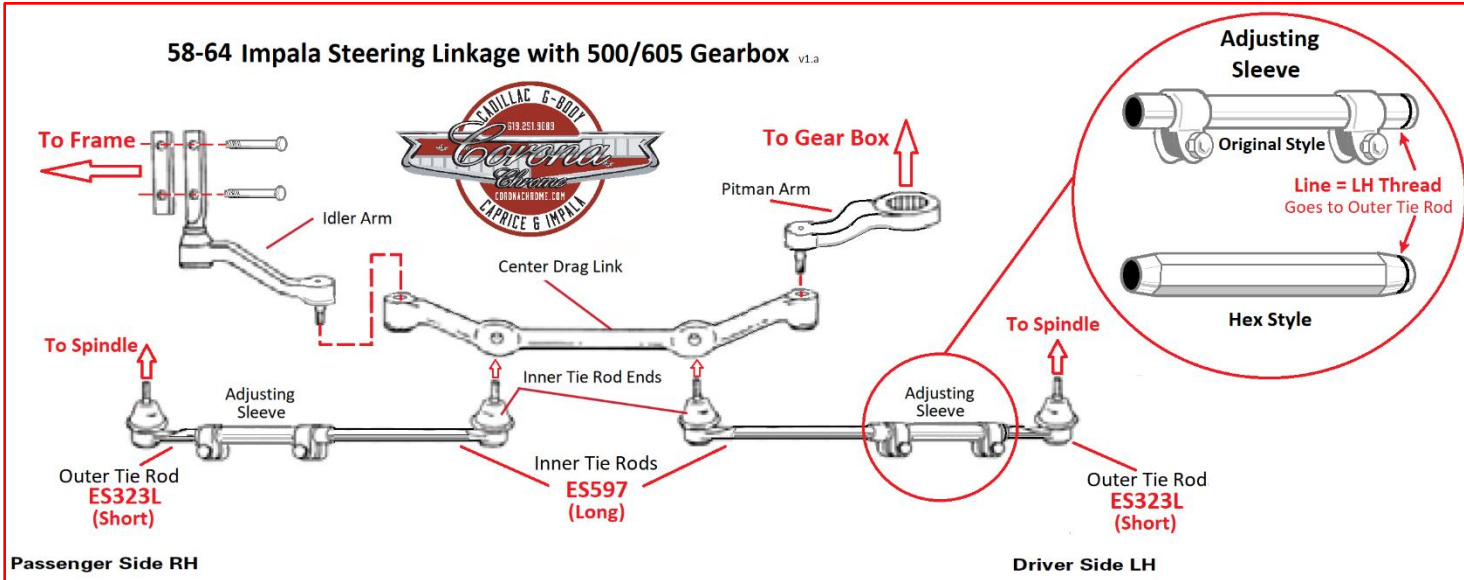
BODY MOUNT BUSHING SETS ----- 29-30

ALL PRICES SUBJECT TO CHANGE WITHOUT NOTICE. ANY INSTALLED PART IS NOT RETURNABLE



STEERING LINKAGE SETS

58-64 Impala Steering Linkage with 500/605 Gearbox v1.a



Passenger Side RH

Driver Side LH

1955-1957 Bel Air



**New Equipment

Set includes Centerlink, Idler Arm, Pitman Arm, Inner & Outer Tie Rods w/Sleeves, Black Boots, Zerks, Nuts & Cotter Pins

SL5557 BAS(Set) ----- \$700
Add Color Boots ----- \$50 Extra

Individual Components

- CL5557-BA (Centerlink)-----\$350
- CL5557-BSH (Centerlink Bushing) - \$50
- IA5557-BA (Idler Arm)-----\$150
- IA5557-BSH (Idler Arm Bushing) -- \$50
- PA5557-BA (Pitman Arm) ----- \$150
- TR5557 BA (x4 Tie Rods) ----- \$250
- AS5557-BA(Original Style Sleeves) - \$125pr
- AS5557-ALM(Polished Hex Sleeves) \$150pr

1958-1964 Impala With Power Steering



*Original Equipment/{CE\$}

Set includes PS Cylinder, Centerlink, Idler Arm & Pitman Arm, Inner & Outer Tie Rods w/Sleeves, Black Boots, Zerks, Nuts & Cotter Pins

*SL5860 PWR (Set) ----- \$1000
*SL6164-PWR (Set) ----- \$1000
Add Color Boots ----- \$50 Extra

Individual Components

- CL5864-PWR (Centerlink)-----\$400
- IA5860-IMP (Idler Arm)-----\$150
- IA6164-IMP (Idler Arm)-----\$150
- TR5864 IMP (x4 Tie Rods) ----- \$250
- AS5864-IMP (OG Style Adj Sleeves) \$125pr
- AS5864-ALM(Polished Hex Sleeves)\$150pr
- PA5864-MPS (Pitman Arm) ----- \$150

1958-1962 Impala Manual



*Original Equipment/{CE\$}

MANUAL (No Power Steering) Set includes Centerlink, Idler Arm & Pitman Arm, Inner & Outer Tie Rods w/Sleeves, Black Boots, Zerks, Nuts & Cotter Pins

*SL5860-MNL (Set) ----- \$700
*SL6162-MNL (Set) ----- \$650
Add Color Boots ----- \$50 Extra

Individual Components

- CL5862-MNL (Centerlink)----- \$300
- IA5860-IMP (Idler Arm)----- \$150
- IA6164-IMP (Idler Arm)----- \$150
- TR5864 IMP(x4 Tie Rods) ----- \$250
- AS5864-IMP (OG Style Adj Sleeves) \$125pr
- AS5864-ALM(Polished Hex Sleeves)\$150pr
- PA5864-MPS (Pitman Arm) ----- \$150



STEERING LINKAGE SETS CONT.

1958-1964 Impala 500/605 Box



**New Equipment/{CE\$}

Set includes Centerlink, Idler & Pitman Arm, Inner & Outer Tie Rods w/ Sleeves, Black Boots, Zerks, Nuts & Cotter Pins

- **SL5864-605 (Set) ----- \$700
- (Fits 58-64 with 500 or 605 Gear Box)
- Add Color Boots -----\$50 Extra
- Add Hex Sleeves -----\$50 Extra

**Individual Components

- **CL5864-605 (Centerlink) ----- \$200
- **CL5864-REM (Reamed Centerlink)\$250
- **IA6164-IMP (Idler Arm) ----- \$175
- **TR5864 IMP (x4 Tie Rods) ----- \$250
- **AS5864-IMP (OG Style Adj Sleeves) \$125pr
- **AS5864-ALM (Polished Hex Sleeves)\$150pr
- **PA6364-MNL ----- \$150

1965-1966 Impala/Caprice



**New Equipment (CE\$)

Set includes Centerlink, Idler & Pitman Arm, Inner & Outer Tie Rods w/Sleeves, Black Boots, Zerks, Nuts & Cotter Pins

- **SL6566-SET (Set) ----- \$800
- Add Color Boots -----\$50 Extra
- Add Hex Sleeves ----- \$50 Extra

Individual Components

- **CL6566-IMP (Centerlink) ----- \$350
- **IA6566-OE (Original Idler Arm)- \$125
- **IA6566-INE (New Idler Arm) -- \$150
- **TR6568-IC (x4 Tie Rods) ----- \$250
- **AS6570-IC (Adj Sleeves) ---- \$100 pr
- **PA6570-MNL (Manual Pitman Arm) \$150
- **PA6570-PWR (PS Pitman Arm) --- \$150

1967-1970 Impala/Caprice



**New Equipment/{CE\$}

Set includes Centerlink, Idler & Pitman Arm, Inner & Outer Tie Rods w/Sleeves, Boots, Zerks, Nuts & Cotter Pins

- **SL6770-SET (Set) ----- \$800
- Add Color Boots -----\$50 Extra
- Add Hex Sleeves ----- \$50 Extra

Individual Components

- **CL6770-IMP (Centerlink) ----- \$350
- IA6770-IMP (Idler Arm)-----\$150
- **TR6870-IMP (x4 Tie Rods) ---- \$250
- **AS6570-IC (Adj Sleeves) ---- \$125 pr
- **PA6570-MNL (Manual Pitman Arm) \$150
- **PA6570-PWR (PS Pitman Arm) ---- \$150

1971-1976 Impala/Caprice



**New Equipment

PITMAN ARM SOLD SEPARATELY

Set includes Centerlink, Idler Arm, Inner & Outer Tie Rods w/Sleeves, Black Boots, Zerks, Nuts & Cotter Pins

- **SL7172-IMP(Special Order) --- \$700
- **SL7376-IMP (Set) ----- \$550
- Add Color Boots) ----- \$50 Extra

**Individual Components

- CL7172-IMP (Special Order) ----- \$350
- CL7376-IMP (Centerlink) ----- \$200
- IA7172-IMP (Idler Arm) ----- \$150
- IA7374-IMP (Idler Arm W/Foot) --- \$150
- IA7476-IMP (Idler Arm) ----- \$150
- TR7176-IMP (x4 Tie Rods) ----- \$250
- **AS7196-ICC (Adj Sleeves) -- \$100 pr
- *PA7176-IC (Pitman Arm) ----- \$150

1971-1972 Monte Carlo/ Chevelle/El Camino 1973-1977 Monte Carlo



**New Equipment

Includes Centerlink, Idler Arm, Inner & Outer & Tie Rods w/Sleeves, Black Boots, Zerks, Nuts & Cotter Pins

- **SL7172-MC (Set) ----- \$500
- **SL7377-MC (Includes Damper Shock)-\$650
- Add Color Boots -----\$50 Extra

**Individual Components

- CL7172-MC (Centerlink) ----- \$200
- CL7377-MC (Centerlink) ----- \$200
- PC7377-MC (Damper Shock) ----- \$200
- IA7172-MC (Idler Arm) ----- \$150
- IA7376-IMP (Idler Arm) ----- \$150
- TR7172-MC (x4 Tie Rods) ----- \$250
- TR7377-MC (x4 Tie Rods) ----- \$250
- AS7196-ICC (Adj Sleeves) ---- \$100 pr

1973-1977 A Body

1973-1977 Buick Regal
1973-1977 Oldsmobile Cutlass
1973-1977 Chevy El Camino



**New-In-Box Equipment

PITMAN ARM SOLD SEPARATELY

Includes Centerlink, Idler Arm, Inner & Outer Tie Rods w/Sleeves, Black Boots, Zerks, Nuts & Cotter Pins

- **SL7377-SET (Set) ----- \$500
- Add Color Boots ----- \$50 Extra

**Individual Components

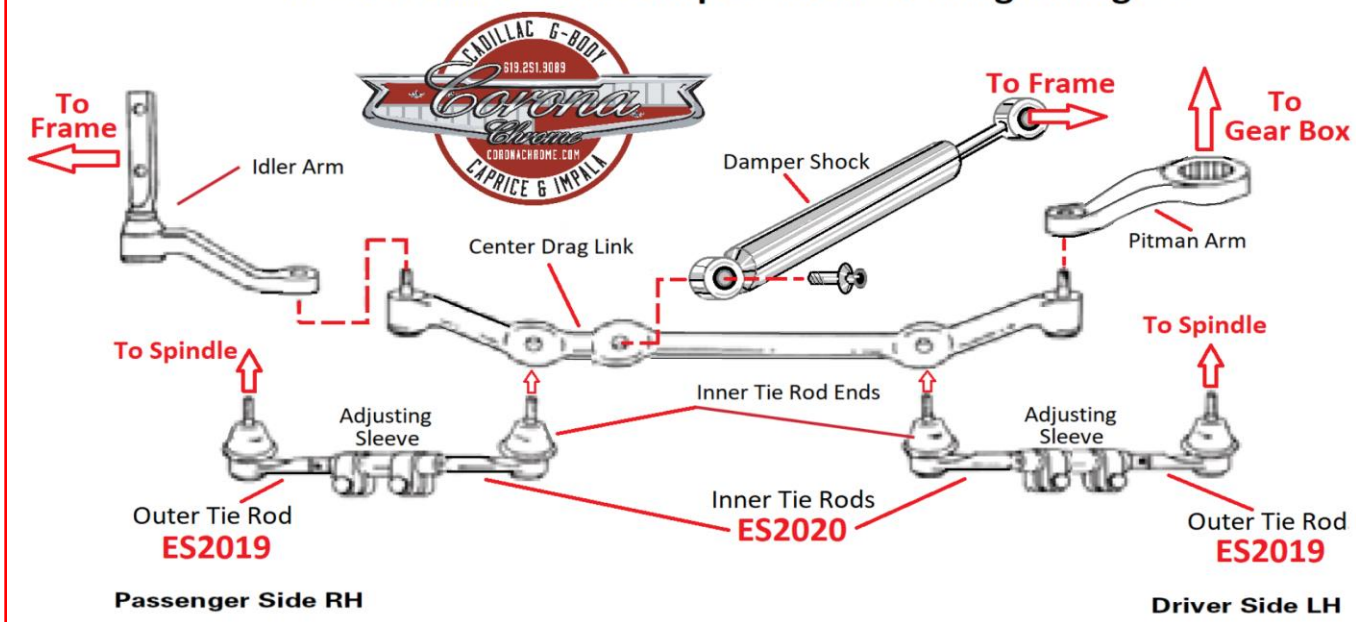
- CL7376-IMP (Center Link) ----- \$200
- IA7374-IMP (Idler Arm w/Foot) - \$150
- IA7577-IMP (Idler Arm) ----- \$150
- TR7176-IMP (x4 Tie Rods) --- \$250 pr
- AS7196-ICC (Adj. Sleeves) ---- \$100 pr





STEERING LINKAGE SETS CONT.

77-96 Cadillac With Damper Shock Steering Linkage v1.a



1977-1996 Cadillac With Damper Shock

1977-1984 Cadillac DeVille RWD
1977-1992 Cadillac Brougham RWD
1993-1996 Cadillac Fleetwood



**New-In-Box Equipment
PITMAN ARM SOLD SEPARATELY

Includes Centerlink, Idler Arm,
Damper Shock, Inner & Outer Tie
Rods w/Sleeves, Black Boots, Zerks,
Nuts & Cotter Pins

**SL7796-CAD (Black Boots) ----- \$650
Add Color Boots ----- \$50 Extra
**Individual Components

CL7796-CAD (Center Link) ----- \$200
PC7796-CAD (Damper Shock) ----- \$200
IA7796-ICG (Idler Arm) ----- \$150
TR7796-ICC (x4 Tie Rods) ----- \$250 pr
AS7196-ICC (Adj. Sleeves) ----- \$100 pr
*PA7796-CAD (Pitman Arm) ----- \$150

1977-1996 Impala/Caprice 1977-1984 Cadillac Deville/Fleetwood Without Damper Shock



**New-In-Box Equipment

PITMAN ARM SOLD SEPARATELY

Set includes Centerlink, Idler Arm,
Inner & Outer Tie Rods w/Sleeves,
Black Boots, Zerks, Nuts & Cotter Pins

**SL7796-IMP (Set) ----- \$500
Add Color Boots ----- \$50 Extra

**Individual Components

**CL7796-IMP (Centerlink) ----- \$200
**IA7796-ICG (Idler Arm) ----- \$150
**TR7796-ICC (x4 Tie Rods) ----- \$250
**AS7196-ICC (Adj. Sleeves) - \$100 pr
*PA7796-CAD (Pitman Arm) ----- \$150

1978-1988 G Body

1978-1987 Buick Regal
1978-1988 Oldsmobile Cutlass
1978-1988 Chevy El Camino
1978-1983 Chevy Malibu



**New-In-Box Equipment

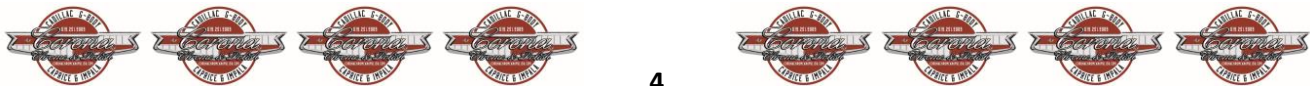
PITMAN ARM SOLD SEPARATELY

Includes Centerlink, Idler Arm, Inner &
Outer Tie Rods w/Sleeves, Black Boots
Zerks, Nuts & Cotter Pins

**SL7887-SET (Set) ----- \$500
Add Color Boots ----- \$50 Extra

**Individual Components

CL7887-G (Center Link) ----- \$200
IA7796-ICG (Idler Arm) ----- \$150
TR7887-G (x4 Tie Rods) ----- \$250 pr
AS7887-G (Adj. Sleeves) ----- \$100 pr
*AS7887-HEX (HEX. Sleeves) -- \$100 pr
*PA7887-G (Pitman Arm) ----- \$150



STEERING LINKAGE COMPONENTS

1958-1964 Impala TIE ROD SETS



****New Equipment**

TR5864-XXX(Tie Rods w/Sleeves) -- **\$350**
Add Color Boots ----- **\$50 Extra**
Add Hex Sleeves ----- **\$50 Extra**

AVAILABLE BOOT COLORS -XXX= COLOR

-BLK (Black)	-RED (Red)
-LBL (Light Blue)	-DRD (Dark Red)
-BLU (Blue)	-LGN(Light Green)
-DBL (Dark Blue)	-GRN (Green)
-ORG (Orange)	-DGN(Dark Green)
-PPL (Purple)	-PNK (Pink)
-TEA (Teal)	-YLW (Yellow)
-WHT (White)	-GLD (Gold)



1955-1957 Bel Air



****New Equipment**

TR5557 BA (Tie Rods w/Sleeves) -- **\$350**
Color Boots ----- **\$50 Extra**

1965-1970 Impala



****New Equipment**

TR6570 SET(Tie Rods w/Sleeves) -- **\$300**
Color Boots ----- **\$50 Extra**
Add Hex Sleeves ----- **\$50 Extra**

1977-1996 Cadillac/Caprice/Impala



****New Equipment**

TR7796-SET(Tie Rods w/Sleeves) -- **\$300**
Color Boots ----- **\$50 Extra**

1978-1987 G Body



****New Equipment**

TR7887-SET(Tie Rods w/Sleeves) -- **\$300**
Color Boots ----- **\$50 Extra**
Hex Sleeves ----- **\$50 Extra**

TIE ROD DUST BOOTS



Universal Color Boots

Available for Tie Rods, Idler Arm, Pitman Arm, and Centerlink

See Page 25 for details

-BLK (Black)	-RED (Red)
-LBL (Light Blue)	-DRD (Dark Red)
-BLU (Blue)	-LGN(Light Green)
-DBL (Dark Blue)	-GRN (Green)
-ORG (Orange)	-DGN(Dark Green)
-PPL (Purple)	-PNK (Pink)
-TEA (Teal)	-YLW (Yellow)
-WHT (White)	-GLD (Gold)

1955-1957 BEL AIR CENTERLINK BUSHING



****New Equipment**

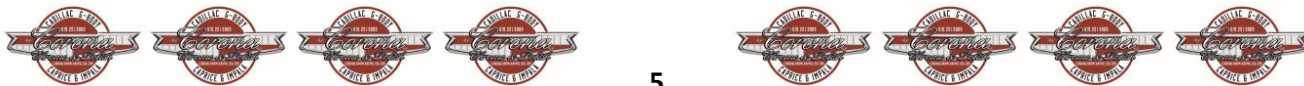
CL5557-BSH (Centerlink Bushing)--- **\$50**

1955-1957 BEL AIR IDLER ARM BUSHING



****New Equipment**

IA5557-BSH (Idler Arm Bushing)---- **\$50**



STEERING LINKAGE COMPONENTS

POWER STEERING CYLINDER



****New Equipment**

1955-1957 Bel Air

PC5557 BA (W/Black Grommets) - \$300

ADD \$20 for Color Bushings

POWER STEERING CYLINDER



***New Equipment**

1958-1964 Impala

PC5864-IMP (W/Black Boots) --- \$300

ADD \$30 for Color Bushings/Boots

DAMPER SHOCK



****New Equipment**

1977-1996 Cadillac

1973-1977 Monte Carlo

PC7796-CAD-----\$200

IDLER ARM



****New Equipment**

Includes Idler Arm, Bolts, Nuts with
Bracket, Zerk Fittings and Cotter Pins

1958-1964 Impala

IA5864 IMP(W/Black Boot) ----- \$175

ADD \$20 for Color Boot & Grommet

IDLER ARMS



****New Equipment**

1965-1966 Impala

IA6566-IMP (W/Black Boot) ----- \$150

ADD \$15 for Color Boot



****New Equipment**

1967-1970 Impala/Caprice

IA6770-NE-----\$150



1971-1972 Impala/Caprice

****IA7172-IMP ----- \$150**

1971-1972 Monte Carlo

****IA7172-MC ----- \$150**

1973-1974 Impala/Caprice

****IA7374-IMP (Idler Arm W/Foot) \$150**

1974-1976 Impala/Caprice

****IA7476-IMP ----- \$150**

1975-1977 A Body

****IA7577-IMP ----- \$150**

ADD \$15 for Color Boot



****New Equipment**

1978-1987 G Body

1977-1996 Cadillac/Impala/Caprice

IA7796-ICG-----\$150

ADD \$15 for Color Boot

PITMAN ARMS



***Original Equipment**

1958-1962 Impala Manual & PS

1963-1964 Impala Power Steering Only

PA5864-MPS-----\$140



****New Equipment**

1963-1964 Impala Manual Only

PA6364-MNL(W/Black Grommet) -- \$150

ADD \$10 for Color Grommet



***Original Equipment**

1965-1970 Impala

***PA6570-MNL ----- \$150**

***PA6570-PWR ----- \$150**



***Original Equipment**

1971-1976 Impala/Caprice

***PA7176-IMP ----- \$150**



***Original Equipment**

1978-1987 G Body

***PA7887-G ----- \$150**

1977-1996 Cadillac/Caprice

***PA7796-ICC ----- \$150**



STEERING COMPONENTS

CENTERLINKS



*Original Equipment

1958-1964 Impala

***CL5864-PWR ----- \$400**

***CL5864-MNL ----- \$300**

**New Equipment

CL5864-605(Fits 500/605 Gear Box) -- \$200

CL5864-REM(Fits 500/605 Gear Box-Reamed for Tie Rods to clear frame) ----- \$250



**New Equipment

Includes Nuts, Black Bushings, Cotter Pins and Zerk Fittings

1977-1996 Cadillac

With Damper Shock Mounting Hole

CL7796-CAD ----- \$200



**New Equipment

Includes Nuts, Black Grommets, Cotter Pins and Zerk Fittings

1977-1996 Cadillac

WITHOUT Damper Shock Mounting Hole

CL7796-ICC ----- \$200

1978-1987 G Body

CL7887-G ----- \$200

UPPER & LOWER INTERMEDIATE STEERING SHAFT



*Original Equipment/{CES}

1959-1964 Impala

***SS5964-UPR ----- \$100**

**Includes New Rag Joint and Coupler

****SS5960-LWR ----- \$300**

****SS6164-LWR ----- \$300**

STEERING SHAFT COUPLER KIT



**New-In-Box Equipment

Includes Coupler, Clamp, Boot & Guts

****SC6164-IMP ----- \$130**

COUPLER (RAG JOINT)



**New-In-Box Equipment

Photo shows front and back

Includes Coupler and Hardware.

1959-1969 Impala/Caprice

RJ202-36 3/4" 36 Spline 3 3/4" OD-\$100

1965-1976 Impala/Caprice

RJ200-25 3/4" 25 Spline 3 3/4" OD-\$100

1965-1976 Impala/Caprice

RJ201-31 3/4" 31 Spline 3 3/4" OD-\$100

1977-1996 Cadillac/Impala/Caprice

1978-1987 G Body

RJ205-26 3/4" 26 Spline 3 3/4" OD-\$100

500 & 605 GEARBOX DIRECT REPLACEMENT STEERING SHAFT



**New Equipment

1958-1964 Impala Includes Rag Joint and Steering Shaft (Rag Joint is a 3/4" 30 Spline 3 3/4" OD)

RJSSDD-605 ----- \$230

605 STEERING SHAFT ADAPTER



**New Equipment/{CES}

UNIVERSAL

RJADAP-605 ----- \$150



STEERING COMPONENTS

LOWER INTERMEDIATE STEERING SHAFT



*Original Equipment/{CE\$}

Includes Rag Joint and New Boot

1978-1987 G Body

SS7887-G-----\$275

1977-1996 Cadillac RWD

SS7796-CAD-----\$300

LOWER INTERMEDIATE STEERING SHAFT

Jeep Upgrade for G Body



*Original Equipment/{CE\$}

1978-1987 G Body

SS7887-JUG(Eliminates Rag Joint) - \$300

GEAR BOX ADAPTER PLATE SET



*New-In-Box Equipment

Includes Adapter Plate, Swaybar Bracket Extenders and Hardware

1958-1964 Impala

GBADPL-605 ----- \$200

PITMAN ARM WASHER & NUT



*Original Equipment

G Body/Cadillac/Caprice/Impala

PAWNUT-ICG-----\$30

GEAR BOX MOUNTING BOLTS



**New & *Original Equipment

1958-1996 Impala/Caprice

1977-1996 Cadillac RWD

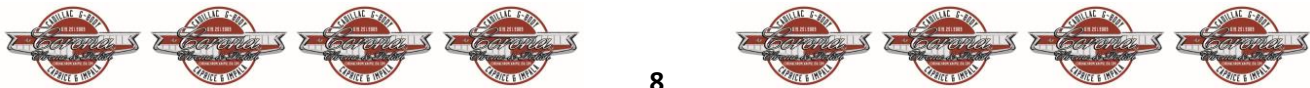
1978-1987 G Body

**GB5864-BLT (Polished SS)-----\$65

*GB6570-BLT-----\$65

*GB7796-BLT-----\$65





SUSPENSION

FRONT SWAYBAR



*Original Equipment/{CE\$}
1958-1964 Impala

SB5864-FRT-----\$250

1965-1970 Impala/Caprice

SB6570-FRT-----\$250



*Original Equipment/{CE\$}
1971-1976 Impala

SB7176-FRT-----\$300



*Original Equipment/{CE\$}
1978-1987 G Body

SB7887-FRT-----\$280

1977-1996 Cadillac/Caprice/Impala

SB7796-FRT-----\$350

REAR SWAYBAR



*Original Equipment/{CE\$}
1977-1996 Cadillac/Caprice/Impala

SB7796-RTK (Thick) ----- \$350

SB7796-RTN (Thin) ----- \$300

REAR SWAYBAR



*Original Equipment/{CE\$}
1978-1987 G Body

SB7887-R-----\$300

FRONT SWAYBAR BRACKETS



*New & **Original Equipment/{CE\$}

AVAILABLE BUSHING COLORS -XXX= COLOR

-BLK (Black)	-RED (Red)
-LBL (Light Blue)	-DRD (Dark Red)
-BLU (Blue)	-LGN (Light Green)
-DBL (Dark Blue)	-GRN (Green)
-ORG (Orange)	-DGN (Dark Green)
-PNK (Pink)	-PPL (Purple)
-TEA (Teal)	-YLW (Yellow)
-WHT (White)	-GLD (Gold)

1958-1964 Impala

FS5864-BKT (Brackets Only) ----- \$100

SBBU17-XXX (Color Bushings ONLY) - \$30

HW5870-BKT (x4 Polished SS Bolts) - \$25

1965-1970 Impala/Caprice

FS6570-BKT (Brackets Only) ----- \$100

SBBU17-XXX (Color Bushing ONLY) -- \$30

HW5870-BKT (x4 Polished SS Bolts) - \$25

FRONT SWAYBAR BRACKETS



**New Equipment

1971-1981 Impala/Caprice

FS7181-BKT (Brackets Only) ----- \$100

HW7196-BKT (x4 Polished SS Bolts) - \$25



*New & **Original Equipment/{CE\$}

1978-1987 G Body

FS7887-BKT (Brackets Only) ----- \$100

SBBU30-XXX (Color Bushings ONLY) - \$30

HW7196-BKT (x4 Polished SS Bolts) - \$25

1977-1996 Cadillac

FS7796-BKT (Brackets Only) ----- \$100

SBBU30-XXX (Color Bushings ONLY) - \$30

HW7196-BKT (x4 Polished SS Bolts) - \$25

REAR SWAYBAR (PANHARD)



*Original Equipment/{CE\$}

Includes New Bushings & Hardware

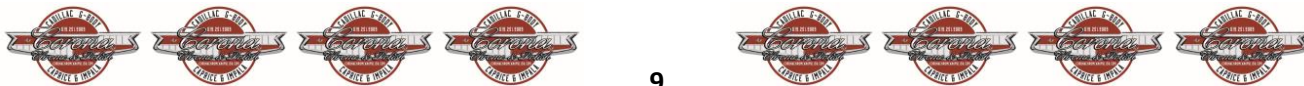
1958-1970 Impala/Caprice

PH6570-BLK ----- \$225

PH6570-RED ----- \$225

Hardware & Bushings

Also Sold Separately See Pg 23-24



SUSPENSION Cont.

CONTROL ARM SHAFTS "Dogbones"



**New Equipment

Includes Control Shafts, Bushings,
Washers and Nuts

1965-1970 Impala/Caprice

**DB6570-IMP ----- \$250pr

1978-1987 G Body

**DB7887-G ----- \$250pr

**DB7887-OSG (Off Set + Camber) \$250pr

1977-1996 Cadillac/Caprice

**DB7796-ICC ----- \$250pr

LOWER CONTROL ARM SHAFTS "Dogbones"



**New Equipment

Includes Control Shafts, Bushings,
Washers and Nuts

1958-1964 Impala

**DB5864-LWR ----- \$300pr

REAR SHOCK BRACKETS



**New Equipment

1959-1964 Impala

SM5964-BKT ----- \$175pr

SPINDLES



*Original Equipment/{CES}

1978-1987 G Body

*SPIN78-87G ----- \$500pr



*Original Equipment/{CES}

1977-1996 Cadillac/Caprice

SPIN77-96C ----- \$500pr



59-64 Impala

Spindles
Knuckles
Plates



65-70 Impala/Caprice

Spindles
Knuckles
Backing Plates

*Original Equipment/{CES}

1958-1970 Impala/Caprice

SPIN58-64I ----- \$600pr

SPIN65-70I ----- \$600pr

JOUNCE BARS



*Original Equipment/{CES}

1978-1987 G Body

JB7887-G ----- \$225

STRUT RODS



*Original Equipment/{CES}

**Bushings are NEW Equipment

AVAILABLE BUSHING COLORS

-XXX= COLOR

-BLK (Black)	-RED (Red)
-LBL (Light Blue)	-DRD (Dark Red)
-BLU (Blue)	-LGN (Light Green)
-DBL (Dark Blue)	-GRN (Green)
-ORG (Orange)	-DGN (Dark Green)
-PPL (Purple)	-PNK (Pink)
-TEA (Teal)	-YLW (Yellow)
-WHT (White)	-GLD (Gold)

1965-1970 Impala/Caprice

Includes Mounting Hardware

SR6570-SET (WithOut Bushings)- \$350

SRBUSH-XXX (Color Bushings ONLY)-\$50

Hardware & Bushings

Also Sold Separately See Pg 23



SUSPENSION Cont.

SWAYBAR LINKS



**New Equipment

Includes Bolts, washers, bushings and sleeves

AVAILABLE BUSHING COLORS -XXX= COLOR

-BLK (Black)	-RED (Red)
-LBL (Light Blue)	-LGN(Light Green)
-BLU (Blue)	-GRN (Green)
-DBL (Dark Blue)	-DGN(Dark Green)
-ORG (Orange)	-PPL (Purple)
-PNK (Pink)	-TEA (Teal)
-WHT (White)	-YLW (Yellow)



Pink



Light Blue

1958-1964 Impala
1978-1987 G Body

LK5254-BLK (Black)-----\$55
LK5254-XXX (Color)-----\$75

1965-1970 Impala/Caprice
LK6570-BLK (Black)-----\$55
LK6570-XXX (Color)-----\$75

1946-1948 Fleetmaster
1946-1952 Fleetline
1950-1957 Bel Air

1971-1996 Impala/Caprice
1977-1996 Cadillac RWD Fleetwood
1973-1977 El Camino/Malibu
1975-1977 Cutlass
1973-1975 Chevelle

LK5252-BLK (Black)-----\$55
LK5252-XXX (Color)-----\$75
LK5252-BEG (Beige)-----\$75

1964-1972 El Camino/Chevelle
1970-1972 Monte Carlo
1965-1976 Cadillac Fleetwood
LK8266-BLK (Black)-----\$55
LK8266-XXX (Color)-----\$75



Red



Purple



Blue



Orange



White



Yellow



Green



SUSPENSION Cont.

ALL BALL JOINTS are NEW EQUIPMENT and INCLUDE: Ball Joints, Dust Boots, Hardware, Zerk Fittings & Cotter Pins

3 BOLT UPPER BALL JOINTS



AVAILABLE BOOT COLORS

-XXX= COLOR

-BLK (Black)	-RED (Red)
-LBL (Light Blue)	-DRD (Dark Red)
-BLU (Blue)	-LGN (Light Green)
-DBL (Dark Blue)	-GRN (Green)
-ORG (Orange)	-DGN (Dark Green)
-PPL (Purple)	-PNK (Pink)
-TEA (Teal)	-YLW (Yellow)
-WHT (White)	-GLD (Gold)

STANDARD DUTY

3 BOLT UPPER BALL JOINTS

1955-1970 Bel Air/ Impala/Caprice

BJ6034-BLK (Black) ----- \$175

BJ6034-XXX (Includes Color Boots) -- \$200

HEAVY DUTY (UNBREAKABLE)

3 BOLT UPPER BALL JOINTS

1955-1970 Bel Air/ Impala/Caprice

HD6034-BLK (Black) ----- \$225

HD6034-XXX (Includes Color Boots) - \$250

LOWER BALL JOINTS



STANDARD DUTY

1955-1957 Impala/Caprice

BJK670-BLK (Black) ----- \$175

BJK670-XXX (Includes Color Boots) -- \$200

LOWER BALL JOINTS



STANDARD DUTY

1958-1970 Impala/Caprice

BJ6035-BLK (Black) ----- \$175

BJ6035-XXX (Includes Color Boots) -- \$200

HEAVY DUTY (UNBREAKABLE)

HD6035-BLK (Black) ----- \$225

HD6035-XXX (Includes Color Boots) - \$250



SUSPENSION Cont.

ALL BALL JOINTS are NEW EQUIPMENT and INCLUDE: Ball Joints, Dust Boots, Hardware, Zerk Fittings & Cotter Pins

STANDARD DUTY

4 BOLT UPPER BALL JOINTS



1977-1996 Cadillac/Impala/Caprice
1978-1987 G Body

AVAILABLE BOOT COLORS -XXX= COLOR

-BLK (Black)	-RED (Red)
-LBL (Light Blue)	-DRD (Dark Red)
-BLU (Blue)	-LGN(Light Green)
-DBL (Dark Blue)	-GRN (Green)
-ORG (Orange)	-DGN(Dark Green)
-PPL (Purple)	-PNK (Pink)
-TEA (Teal)	-YLW (Yellow)
-WHT (White)	-GLD (Gold)

BJ5208-BLK (Black) ----- \$175
BJ5208-XXX (Includes Color Boots) -\$200

HEAVY DUTY (UNBREAKABLE)

4 BOLT UPPER BALL JOINTS



1977-1996 Cadillac/Impala/Caprice
1978-1987 G Body

AVAILABLE BOOT COLORS -XXX= COLOR

-BLK (Black)	-RED (Red)
-LBL (Light Blue)	-DRD (Dark Red)
-BLU (Blue)	-LGN(Light Green)
-DBL (Dark Blue)	-GRN (Green)
-ORG (Orange)	-DGN(Dark Green)
-PPL (Purple)	-PNK (Pink)
-TEA (Teal)	-YLW (Yellow)
-WHT (White)	-GLD (Gold)

HD5208-BLK (Black) ----- \$225
HD5208-XXX (Includes Color Boots)- \$250

LOWER BALL JOINTS

Standard and Heavy Duty



1977-1996 Cadillac/Impala/Caprice
1978-1987 G Body

AVAILABLE BOOT COLORS -XXX= COLOR

-BLK (Black)	-RED (Red)
-LBL (Light Blue)	-DRD (Dark Red)
-BLU (Blue)	-LGN(Light Green)
-DBL (Dark Blue)	-GRN (Green)
-ORG (Orange)	-DGN(Dark Green)
-PPL (Purple)	-PNK (Pink)
-TEA (Teal)	-YLW (Yellow)
-WHT (White)	-GLD (Gold)

BJ6145-BLK (Black) ----- \$175
BJ6145-XXX (Includes Color Boots)- \$200
HD6145-BLK (Heavy Duty Black) -- \$225
HD6145-XXX (Heavy Duty Color) --- \$250



SUSPENSION Cont.

CONTROL ARM BUSHINGS



**New Equipment

Impala/Bel Air/Caprice

1955-1970 Impala/Bel Air

BK5196-FUI (Front Upr Set of 4)--- \$80



**New Equipment

1955-1964 Impala/Bel Air

BK0304-FLI (Front Lwr Set of 4) ---\$80

1959-1964 Impala

45G11-005 (Rear Uppers Set of 2) -- \$90

45G11-045 (Rear Lwrs Set of 4) ---- \$175

1965-1970 Impala/Caprice

BK6134-FLI (Front Lwr pair) -----\$85

CONTROL ARM BUSHINGS



1965-1970 Impala/Caprice

45G11-005 (Rear Lwr Forward) -\$80pr

BK6075-RUL (Rear Upr or Lwr Rearward)-----\$80pr

1971-1973 Impala/Caprice

BK6108-FUI (Front Upr Set of 4)---\$80

1974-1979 Impala/Caprice

BK6144 (Front Upr Set of 4) -----\$80

1971-1996 Impala/Caprice

BK6109-FLC (Front Lower Set of 4)\$80

BK6111-RUC (Rear Upr Set of 4) -- \$90

BK6116-RLC (Rear Lwr Set of 4) --- \$90



1980-1996 Cadillac/Impala/Caprice

BK6198-FUC (Front Upr Set of 4)--\$80

1980-1996 Cadillac

BK6109-FLC (Front Lwr Set of 4) --\$80

1977-1996 Cadillac

BK6111-RUC (Rear Upr Set of 4) --\$90

BK6116-RLC (Rear Lwr Set of 4) ---\$90



1978-1987 G Body

BK6176-FUG (Front Upr Set of 4) -\$80

BK6177-FLG (Front Lwr Set of 4) --\$80

BK6178-ULG(Rear Upr&Lwr x8)--\$150

1978-1987 G-Body

1977-1996 Cadillac



**New Equipment

BK7887-FRD (Front Set of 8 GBody)\$250

BK8096-FRD (Front Set of 8 Cadi) --\$250



BK7887-RRD (Rear Set of 8) -----\$250

1955-1970 BelAir/Impala/Caprice



BK5564-FRD (Red Front Set of 8) - \$250

1965-1970 Impala/Caprice



BK6570-FRD (RedFront Set) ---- \$220



GAS TANK STRAPS



**New Equipment

1955-1957 Impala

ST5557-BA -----\$160

1958-1960 Impala

ST5860-IMP -----\$160



**New Equipment

1973-1976 Impala/Caprice

ST7376-IC -----\$160



**New Equipment

1961-1964 Impala

ST6164-IMP-----\$150



**New Equipment

1978-1987 G Body

ST7887-G -----\$160

ST7887-ELC -----\$160



*Original Equipment

1965-1966 Impala/Caprice

ST6566-IC -----\$160



*Original and New Equipment/{CES}

1993-1996 Cadillac/Impala/Caprice

ST9396-ICC-----\$220



*Original Equipment

1967-1970 Impala/Caprice

ST6770-IC -----\$160

1971-1972 Impala/Caprice

ST7172-IC -----\$160



HOOD HINGES & WIPERS

1977-1990 IMPALA/CAPRICE



*Original Equipment/{CE\$}

Includes Hinges and Springs

HH7790-CAP ----- \$300

1978-1992 CADILLAC



*Original Equipment/{CE\$}

Includes Hinges and Springs

HH7892-CAD ----- \$300

1993-1996 CADILLAC/CAPRICE



*Original Equipment/{CE\$}

HH9396-ICC ----- \$200

1978-1988 G BODY



*Original Equipment/{CE\$}

Includes Hinges and Snail Springs

1978-1988 G Body

HH7887-GSS (With Snail Spring)--\$320

1981-1988 Monte Carlo

HH8188-MC (With Snail Spring)--\$320

1978-1988 G BODY



*Original Equipment/{CE\$}

Includes Hinges Only

Hood Shock sold Separately

HH7887-GNS (No Snail Spring)---\$230

HOOD LIFT SUPPORTS



**New Equipment

1978-1988 G Body

HS7887-G----- \$150

1993-1996 Cadillac Fleetwood

HS9396-CAD----- \$150

1991-1996 Impala/Caprice

HS9196-CAP ----- \$130

WIPER ARMS



**Original Equipment/{CE\$}

1978-1987 G Body

WA7887-G----- \$150

1977-1992 Cadillac/Caprice

WA7792-CC----- \$150



*Original Equipment/{CE\$}

1993-1996 Cadillac

WA9396-CAD ----- \$150



ENGINE COMPARTMENT



HOOD LATCH SET



*Original Equipment/{CE\$}
Includes Hood Latch, Hook and Spring
1978-1987 G Body
HL7887-G-----\$250

HOOD LATCH SET



*Original Equipment/{CE\$}
Includes Hood Latch, Hook and Spring
1977-1992 Cadillac RWD
HL7792-CAD-----\$250

TRUNK LATCH STRIKER SET

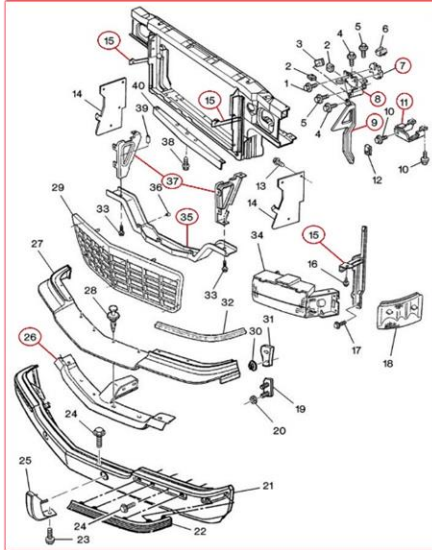


*Original Equipment/{CE\$}
Includes Trunk Latch and Bolts
1962-1970 Impala/Caprice
TL6270-IMP-----\$175

TRUNK LATCH



*Original Equipment/{CE\$}
Includes Trunk Latch and Bolts
1978-1987 G Body
TL7887-G-----\$100



GRILL BRACKET & LATCH SET



*Original Equipment/{CE\$}
Includes Hood Latch, Hook, Spring,
Grill Brackets & Vertical Support
1993-1996 Cadillac Fleetwood
HL9396-CAD ----- \$800

GRILL SUPPORT BRACKETS



*Original Equipment/{CE\$}
Includes Grill Support Brackets ONLY
1993-1996 Cadillac Fleetwood
GS9396-3PC ----- \$400

FRONT VALANCE BRACKET



*Original Equipment
1993-1996 Cadillac Fleetwood
VB9396-CAD ----- \$150

VERTICAL SUPPORT BRACKET



*Original Equipment/{CE\$}
Includes Support Bracket ONLY
1993-1996 Cadillac Fleetwood
VS9396-1PC ----- \$150

DUST GUARD BRACKETS



*Original Equipment/{CE\$}
Includes 2 Rods and 4 Bolts
1993-1996 Cadillac Fleetwood
DG9396-BKT ----- \$200

ENGINE SUPPORT BARS



*Original Equipment/{CE\$}
1977-1992 Cadillac Brougham
EB7792-SET-----\$350

FENDER TO COWL BARS



*Original Equipment/{CE\$}
Includes 4 Bars
1993-1996 Cadillac Brougham
FC9396-BAR-----\$150



ENGINE COMPARTMENT Cont.

RADIATOR COVER



*Original Equipment/{CE\$}
1978-1987 G Body

RC7887-G ----- \$300
1977-1992 Cadillac Fleetwood
RC7792-CAD ----- \$300

RADIATOR SUPPORT RODS



*Original Equipment
Includes 2 Rods and 4 Bolts
1978-1987 G Body

RR7887-G ----- \$150
1977-1996 Cadillac Fleetwood
RR7796-CAD ----- \$150

FENDER BRACES



*Original Equipment
1978-1987 G Body

FB7887-G ----- \$120

AC ACCUMULATOR TANK



**New & Original Equipment/{CE\$}
1978-1987 G Body

DC7887-----\$150
1977-1992 Cadillac/Caprice
DC7792-----\$150
1993-1996 Cadillac/Caprice
DC9396-----\$150

AC BLOWER MOTOR



**New Equipment
1959-1963 Impala

BM360-ICG (w/o Blower Motor) - \$150



**New Equipment

1964-1966 Impala/Caprice
BM351-ICG (w/o Blower Motor) - \$150

AC BLOWER MOTOR



**New Equipment

1964-1985 Impala

1966-1990 Caprice

1973-1987 Regal/Cutlass

BM102-ICG (w/o AC)-----\$175



**New Equipment

1977-1985 Impala

1977-1990 Caprice

1977-1992 Cadillac RWD

1978-1987 G Body

BM105-ICG (with AC)-----\$175



1993-1996 Cadillac Fleetwood
BM131-CAD ----- \$175



ENGINE COMPARTMENT Cont.

RADIATOR MOUNT BOLTS



**New Equipment

AVAILABLE BOOT COLORS

-XXX= COLOR

-BLK (Black)	-RED (Red)
-LBL (Light Blue)	-DRD(Dark Red)
-BLU (Blue)	-GRN (Green)
-DBL (Dark Blue)	--ORG (Orange)
-PNK (Pink)	-PPL (Purple)
-TEA (Teal)	-WHT (White)
-YLW (Yellow)	-GLD (Gold)

1959-1964 Impala

RM6164-BLK (Black) ----- \$100

RM6164-XXX (Includes Any Color) --- \$125

AIR CLEANERS



*Original Equipment/{CE\$}

1978-1987 G Body

AC7887-GV6 ----- \$220

AC7887-GV8 ----- \$230

MOTOR MOUNTS



**New Equipment

1958-1972 Impala/Caprice

MM2267-283 ----- \$180

MM2142-327 ----- \$180

MM2283-350 ----- \$180



**New Equipment

1958-1972 Impala/Caprice

MM15RD-234 ----- \$200

MM18RD-350 ----- \$200



UNDERBELLY CHROME

TRUNK PAN COVER



**New Equipment

1961-1964 Impala

TP6164-CVR-----\$600

GAS TANK COVERS



**New Equipment

1977-1992 Cadillac/Caprice

GT7792-CVR-----\$550



**New Equipment

1978-1987 G Body

GT7887-CVR-----\$500

GT7887-EC (El Camino)-----\$425

SPARE TIRE COVER



*Original Equipment

1978-1987 G Body

SP7887-CVR-----\$450

DIFFERENTIAL COVERS



*Original & New (w/Gasket) Equipment

1978-1996 G Body/Caprice/Cadillac
DC7896-75 (w/7.50" or 7.625") -- \$80



**New Equipment w/Gasket

1964-1996 Cadillac/Caprice/Impala
DC6496-85 (w/8.50" or 8.625") -- \$80

DRIVE SHAFT SAFETY SUPPORT



*Original Equipment

Includes 4 Bolts & Washers

1977-1996 Cadillac/Caprice

DS7796-SAF-----\$150

Bolts Also Sold Separately See Pg 23



*Original Equipment

Includes 4 Bolts & Washers

1978-1987 G Body

DS7887-SAF-----\$150

Bolts Also Sold Separately See Pg 23

CROSSMEMBER



*Original Equipment

1978-1987 G Body

CM7887-GV6-----\$450

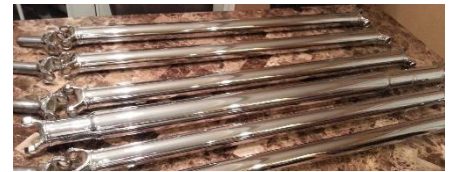
CM7887-GV8-----\$450



1965-1970 Impala/Caprice

CM6570-IMP-----\$450

DRIVE SHAFT



*Original Equipment

1977-1996 Cadillac/Caprice

DS7796-CAD-----\$350

1978-1978 G Body

DS7887-G-----\$350

UNIVERSAL JOINT U BOLTS



**New Equipment

58-76 Bel Air/Impala/Caprice

UB5576-ICG-----\$40

U-JOINT STRAPS



**New Equipment

55-57 Bel Air

58-70 Impala/Caprice

77-96 Cadillac

78-87 G-Body

US5596-ICG-----\$40



UNDERBELLY CHROME

FENDER TO VALANCE BARS



****New Equipment**

1963-1964 Impala

FV6364-IMP ----- \$120

BUMPER BRACES



****New Equipment**

1961-1964 Impala

Includes 4 Bolts & Washers

BB6164-IMP ----- \$225



BRAKE DRUMS & COMPONENTS

FRONT & REAR DRUMS



****New Equipment**

1951-1957 Bel Air

1958-1970 Impala/Caprice

RD8101-BIC ----- \$350

(Fits 51-57 Bel Air Front or Rear

Fits 58-70 Impala/Caprice Rear Only,)

FD8124-IC (Front) ----- \$350

(Fits 58-70 Impala, 65-69 Caprice)

REAR DRUMS



****New Equipment**

1978-1987 G Body

RD8839-GFN-(9.5" w/ Fins)-----\$350

RD8839-GSM-(9.5" Smooth)-----\$400

1971-1985 Impala

1971-1991 Caprice

RD8870-ICF-(11"x3.25" w/ Fins) -\$350

RD8870-ICS(11"x3.25" Smooth) --\$400

RD8873-ICF-(11"x4" tall w/ Fins)--\$350

RD8873-ICS(11"x4" tall Smooth)--\$400

1977-1984 Cadillac Fleetwood

DeVille (RWD)

RD8870-ICF-(11"x3.25" w/ Fins)- \$350

RD8870-ICS(11"x3.25"Smooth)--\$400

RD8504-CFN-(12" w/ Fins) ----- \$350

RD8504-CSM-(12" Smooth) ----- \$400

REAR DRUMS



****New Equipment**

1991-1996 Cadillac Fleetwood

RD8873-ICF-(11"x4" w/ Fins)---- \$350

RD8873-ICS-(11x4" Smooth)---- \$400

FRONT DUST SHIELDS



****New Equipment/{CE\$}**

1978-1987 G Body

FP7887-G-----\$200

***Original Equipment**

1993-1996 Cadillac Fleetwood

FP7796-CAD ----- \$250

REAR BACKING PLATES



****New & *Original Equipment/{CE\$}**

1978-1987 G Body

BP7887-GOE (Original Equip) -- \$200

BP7887-GNE (New Equip) ----- \$250

REAR BACKING PLATES



****New & *Original Equipment/{CE\$}**

1977-1996 Cadillac

BP7796-COE (Original Equip) ----\$225

BP7796-CNE (Original Equip) ----\$300

BRAKE CALIPERS



****New Equipment**

1978-1987 G Body

BC7887-G-----\$300



HARDWARE



CASTLE NUTS



*Original Equipment
Includes 2 Castle Nuts

- CSTL02-716 (7/16-20 Fine) ----- \$20 pr
- CSTL02-012 (1/2-20 Fine) ----- \$20 pr
- CSTL02-916 (9/16-18 Fine) ----- \$25 pr
- CSTL02-M10 (M10x1.25) ----- \$25 pr
- CSTL02-M12 (M12x1.25) ----- \$25 pr

FENDER TOP BOLT



*Original Equipment
Includes 2 Bolts
1978-1987 G Body

TFBOLT-G (Chrome)-----\$50 pr



**New Equipment- Polished Stainless Steel
Includes 2 Bolts
1958-1964 Impala

TFBOLT-IMP (Polished)-----\$25 pr

WHEEL WELL BOLTS & WASHERS



**New Equipment
Includes Polished Stainless Steel Bolts
with 2" Washers
1978-1987 G Body
1977-1996 Cadillac
1971-1996 Impala/Caprice

WWBLT2-CGP (Polished Qty 2)-\$40 pr
WWBLT4-CGP (Polished Qty 4)-\$75 set

WHEEL WELL BOLTS & WASHERS



**New Equipment - Polished Stainless Steel
Includes Polished Bolts w/ 1.25" Washers

1958-1970 Impala/Caprice

WWBT02-IMP (Qty 2)-----\$25 Set
WWBT04-IMP (Qty 4)-----\$40 Set

DOOR STRIKERS



*Original Equipment
Includes 2 Bolts and 2 Washers
1965-1970 Impala/Caprice

DSBOLT-IMP-----\$60 pr

DOOR STRIKERS



*Original Equipment
Includes 2 Bolts and 2 Washers
1971-1992 Impala/Caprice/Cadillac
1978-1987 G Body

DSBOLT-ICG-----\$50 pr



*Original Equipment/{CES}
Includes 4 Strikers, 4 Washers, 8 Bolts
1993-1996 Impala/Caprice/Cadillac
DRSTKR-CAD-----\$125 set

HOOD HINGE BOLTS



*Original Equipment
13mm Hex Head Bolt w/Washer

1978-1987 G Body

HHBOLT-G02 (Qty 2) ----- \$20 pr
HHBOLT-G05 (Qty 5) ----- \$40 set
HHBOLT-G10 (Qty 10) ----- \$75 set



**New Equipment - Polished Stainless Steel
1958-1970 Impala/Caprice

HHBOLT-I08 (Qty 8) ----- \$70 set
HHBOLT-I10 (Qty 10) ----- \$80 set

TRUNK HINGE BOLTS

PICTURE COMING SOON
PICTURE COMING SOON
PICTURE COMING SOON

**NEW Equipment
4 Bolts w/Washer
1958-1970 Impala

THBOLT-IMP ----- \$75 set

HOOD PIN BOLTS



**NEW Equipment - Polished Stainless Steel
4 Serrated Bolts

1958-1970 Impala

HPBOLT-I04 ----- \$40 set

JOUNCE BAR BOLTS



**NEW Equipment - Polished Stainless Steel
Includes 2 Bolts

1978-1987 G Body

JBBOLT-G (Polished SS) ----- \$30



HARDWARE Cont.



BALL JOINT BOLTS



****New Equipment - Polished Stainless Steel**
Includes Bolts, Lock Washer, Nuts
1955-1970 Impala/Caprice/Bel Air
BJBOLT-IC6 (Polished SS)-----\$45 Set



****New Equipment- Polished Stainless Steel**
Includes Bolts, Washer, Lock Nuts
1978-1987 G Body
1977-1996 Cadillac
1971-1996 Impala/Caprice
BJBOLT-GC8 (Polished SS)-----\$50 Set

FENDER BOLTS



****New Equipment - Polished Stainless Steel**
1958-1964 Impala
FBLTxx-IMP(Polished SS) ----- \$Varies
\$CALL/TEXT FOR QUOTE\$

PITMAN ARM WASHER & NUT



***Original Equipment**
G Body/Cadillac/Caprice/Impala
PAWNUT-ICG-----\$30

SAFETY SUPPORT BRACKET BOLTS



****New Equipment - Polished Stainless Steel**
1978-1987 G Body
1977-1996 Cadillac
1971-1996 Impala/Caprice
SSBK4-BLT (Polished)-----\$40 Set

GEAR BOX MOUNTING BOLTS



****New (Polished SS) & *Original Equipment**
1958-1996 Impala/Caprice
1977-1996 Cadillac RWD
1978-1987 G Body
****GB5864-BLT(Original Size) ----- \$65**
****GBI605-BLT(For Use with 500 or 605 Gear**
Box, Direct thru Frame) ----- \$65
***GB6570-BLT-----\$65**
***GB7796-BLT-----\$65**

IDLER ARM BOLTS



****New Equipment - Polished Stainless Steel**
58-64 Impala
IA5864-SPC (Chrome Spacer) ----- \$50
IA5864-BLT ----- \$50



****New Equipment - Polished Stainless Steel**
G Body/Cadillac
IA7796-BLT (Polished) ----- \$40

TRAILING ARM BOLTS



****New Equipment - Polished Stainless Steel**
1958-1964 Impala
TAIP04-BLT (Polished SS x4) ----- \$65
TAIP02-BLT(Polished SS x2) ----- \$35



****New Equipment**
1978-1987 G Body
1977-1996 Cadillac
1971-1996 Impala/Caprice
TAGC04-BLT (Chrome x4 Pictured) \$70
TAGP04-BLT (Polished SS x4) ----- \$50

CONTROL ARM SHAFT "Dogbone to Frame" BOLT SET



****New Equipment**
1978-1987 G Body
AA7887-BLT (Polished SS) ----- \$125

CONTROL ARM SHAFT "Dogbones" NUT & WASHER SET



****New Equipment**
Includes Upper Washers and Nuts
1978-1987 G Body
1977-1996 Cadillac/Caprice/Impala
DBNWGC-SET (Polished SS) ----- \$65



HARDWARE Cont.

SWAYBAR BRACKET BOLTS



**New Equipment

1958-1970 Impala/Caprice

HW5870-BKT (Polished SS) ----- \$30



**New Equipment

1977-1996 Cadillac/Impala/Caprice

1978-1987 G Body

HW7196-BKT (Polished SS) ----- \$30

A ARM WASHER BOLT SET



**New Equipment

Includes Upper and Lower

1958-1964 Impala

WB5864-SET (Chrome) ----- \$120

WB5870-UPR (Upper Only) ----- \$65

STRUT ROD HARDWARE SET



**New Equipment

Kit Include Mounting Hardware, 4 Large Washers, 4 Large Nuts, 4 Bolts and Nuts

1965-1970 Impala/Caprice

SRHRDW-SET (Hardware Only No Bushings) ----- \$75

SRHWBS-BLK (Black Bushings & Hardware) -- \$125

SRHWBS-RED (Red Bushings & Hardware) --- \$125

SRHWBS-LBL (Light Blue Bushings & Hardware) - \$125

SRHWBS-BLU (Blue Bushings & Hardware) -- \$125

SRHWBS-DBL (Dark Blue Bushings & Hardware) - \$125

SRHWBS-GRN (Green Bushings & Hardware)- \$125

SRHWBS-GLD (Gold Bushings & Hardware) --- \$125

SRHWBS-ORG (Orange Bushings & Hardware) \$125

SRHWBS-PNK (Pink Bushings & Hardware) -- \$125

SRHWBS-PPL (Purple Bushings & Hardware) - \$125

SRHWBS-WHT (White Bushings & Hardware) \$125

PANHARD BAR BUSHINGS



**New Equipment/{CES}

1958-1970 Impala/Caprice

PH5870-BSB(Black-1 Big & 1 Small) ----- \$65

PH5870-BSR(Red-1 Big & 1 Small) ----- \$65

PH5870-STB (Black-2 Small Tall 1 1/8") --- \$65

PH5870-STR (Red-2 Small Tall 1 1/8") ---- \$65

PH5870-SSB (Black-2 Small Short 1") ---- \$65

PH5870-SSR (Red-2 Small Short 1") ----- \$65

PS CYLINDER BUSHINGS & BOOT SET



*New Equipment

Includes 2 Bushings and 1 Boot

1958-1964 Impala

PCBUSH-XXX- ----- \$30

AVAILABLE COLORS

-XXX= COLOR

-BLK (Black)	-RED (Red)
-BLU (Blue)	-GRN (Green)
-ORG (Orange)	-PNK (Pink)
-PPL (Purple)	-YLW (Yellow)
-WHT (White)	



HARDWARE Cont.

BODY MOUNT BOLT SETS NON-CHROME



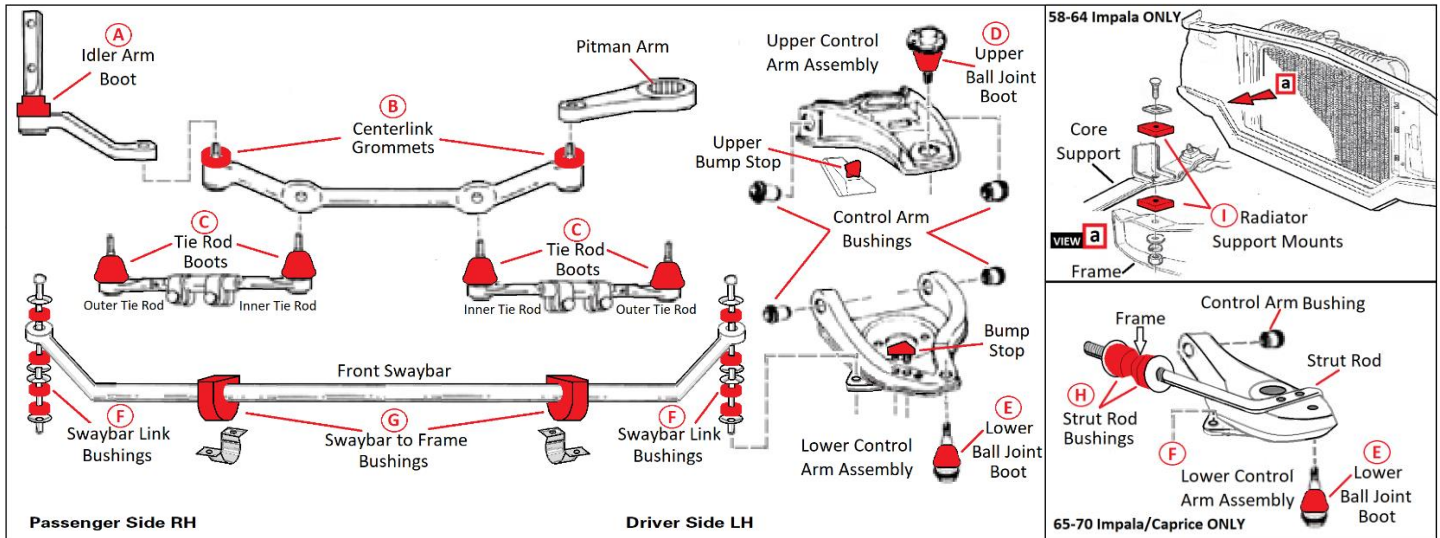
**New Equipment

1958-1964 Impala

- BM58HT-BLT (Non-Chrome) -- ---- \$45
- BM58CV-BLT (Non-Chrome) -- ---- \$45
- BM59HT-BLT (Non-Chrome) -- ---- \$35
- BM56CV-BLT (Non-Chrome) -- ---- \$35
- BM6XHT-BLT (Non-Chrome) -- ---- \$35
- BM6XCV-BLT (Non-Chrome) -- ---- \$35



BUSHING AND BOOT SETS



AVAILABLE COLORS -XXX= COLOR

-BLK (Black)	-RED (Red)
-LBL (Light Blue)	-DRD (Dark Red)
-BLU (Blue)	-LGN (Light Green)
-DBL (Dark Blue)	-GRN (Green)
-ORG (Orange)	-DGN (Dark Green)
-PPL (Purple)	-PNK (Pink)
-TEA (Teal)	-YLW (Yellow)
-WHT (White)	-GLD (Gold)



A - Idler Arm Boot



IABT01-XXX (x1 Any Color Boot) ----- \$15

B - Centerlink Grommets



CLGMT2-XXX (x2 Any Color Grommets) \$15

C - Tie Rod Boots



TRBT04-BLK (x4 Black Boots) ----- \$20
TRBT04-XXX (x4 Color Boots) ----- \$50

D - Upper Ball Joint Boots

E - Lower Ball Joint Boots



BJBTU2-XXX (x2 Upper Any Color Boots) - \$25
BJBTL2-XXX (x2 Lower Any Color Boots) - \$25

F - Swaybar Link Bushings



LKBUSH-BLK (x8 Black Bushings) ----- \$20
LKBUSH-XXX (x8 Bushings) ----- \$40

G - Swaybar to Frame Bushings



SBBU17-XXX (55-64 BelAir/Impala x2) - \$30
SBBU30-XXX (Gbody/Cadi x2) ----- \$30

H - Strut Rod Bushings



**Includes Ferrules and Grease

65-70 Impala/Caprice ONLY
SRBUSH-XXX (x4 Any Color Bushings) -- \$50

I - Radiator Mount Bushings



58-64 Impala ONLY
RMBUSH-XXX (x4 Any Color) ----- \$40

BUSHING AND BOOT SETS

ALL BOOTS & BUSHINGS CAN BE SOLD SEPARATELY





BUSHING AND BOOT SETS

ALL BOOTS & BUSHINGS CAN BE SOLD SEPARATELY





BODY MOUNT BUSHING SETS

ALL BODY MOUNT BUSHINGS CAN BE SOLD SEPARATELY

- BM5xHT-XXX (58-60 Hardtop) ----- \$220
- BM5xCV-XXX (58-60 Convertible) - \$220
- BM6XCVC-XXX (61-64 Convertible)- \$220
- BM6xHT-XXX (60-64 Hardtop) ----- \$200

AVAILABLE COLORS
-XXX= COLOR

-BLK (Black)	-RED (Red)
-LBL (Light Blue)	-DRD (Dark Red)
-BLU (Blue)	
-DBL (Dark Blue)	-GRN (Green)
-ORG (Orange)	-DGN (Dark Green)
-PPL (Purple)	-PNK (Pink)
-TEA (Teal)	-YLW (Yellow)
-WHT (White)	-GLD (Gold)





BODY MOUNT BUSHING SETS

ALL BODY MOUNT BUSHINGS CAN BE SOLD SEPARATELY





2021 v1.f