



2024

Corona Chrome
Full Line Catalog



PRICES ARE SUBJECT TO CHANGE
2024 v1

CORONACHROME.com 619-251-9089   @coronachrome

How to read this catalog.

Due to the potential age of some items, original equipment and new equipment items are designated with one or two asterisks below the photo of the category.

* = Original Equipment

** = New Equipment

Certain items qualify for an optional core exchange. Core value is deducted from total cost when received. If you see this symbol inquire to receive a core exchange discount value.

{CE\$} = Qualifies for Core Exchange

Don't see something you're looking for? Contact us with questions/comments.

Call or Text 619-251-9089

Email: sixonebubble@gmail.com

Gift Cards Available



Corona Chrome Gift Cards - Any denomination \$25 minimum. Contact us today to purchase your gift certificate today.

Pricing

Every attempt is made to keep our prices as close to the current catalog list price as possible. However, because of price fluctuations from our suppliers, equipment sourcing and volume buying, the price of some items may increase or decrease accordingly.

Returns

Before returning any part(s), a return authorization number is required. Returns without an RA number will delay the credit or exchange and in some cases, they will be returned to you. Some items are not returnable depending on application and condition of item(s). However, we may consider purchasing them from you depending on condition and application. All returns are subject to up to a 20% restocking fee. Shipping is subjective on each individual issue.

TABLE OF CONTENTS

STEERING LINKAGE SETS ----- 1-4

STEERING COMPONENTS ----- 5-8

SUSPENSION ----- 9-14

GAS TANK STRAPS ----- 15

HOOD HINGES & WIPERS ----- 16

ENGINE COMPARTMENT ----- 17-19

UNDERBELLY CHROME ----- 20-21

BRAKE DRUMS & COMPONENTS ----- 22

HARDWARE ----- 23-26

BOOTS & BUSHINGS ----- 27-29

BODY MOUNT BUSHING SETS ----- 30-31

DUST SHIELDS AND SEALS ----- 32-33

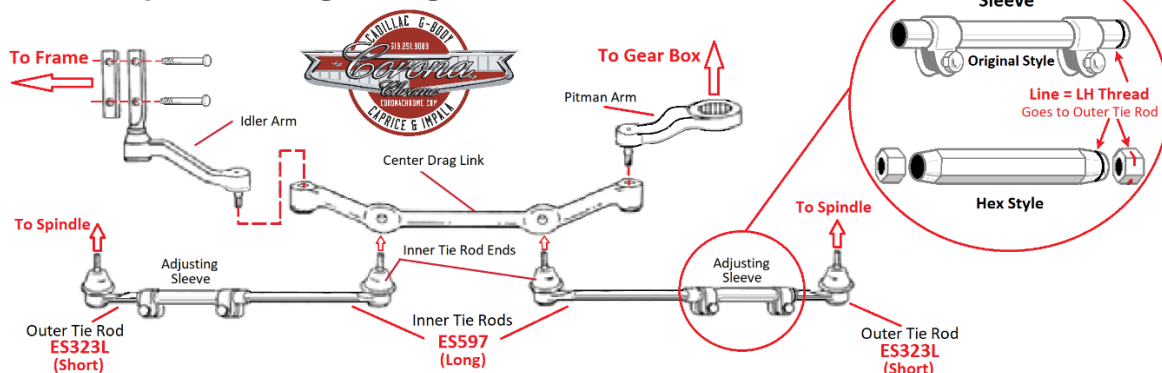
GRILL GUARD BULLETS ----- 34

ALL PRICES SUBJECT TO CHANGE WITHOUT NOTICE. ANY INSTALLED PART IS NOT RETURNABLE



STEERING LINKAGE SETS

58-64 Impala Steering Linkage with 500/605 Gearbox v1.b



1955-1957 Bel Air



****New Equipment**

Set includes Centerlink, Idler Arm, Pitman Arm, Inner & Outer Tie Rods w/Sleeves, Black Boots, Zerks, Nuts & Cotter Pins

****SL5557 BAS(Set) ----- \$900**

(Fits 55-57 with 500 or 605 Gear Box)

Add Color Boots ----- \$50 Extra

Add HEX Sleeves (Billet) ---- \$50 Extra

Add Heavy Duty Tie Rods -\$100 Extra

****Individual Components**

CL5557-PWR (Centerlink w/PS) --\$350

CL5557-BA (Centerlink w/Manual) -\$350

CL5557-BSH (Centerlink Bushing) - \$50

IA5557-BA (Idler Arm) ----- \$175

IA5557-BSH (Idler Arm Bushing) -- \$50

PA5557-BA (Pitman Arm) ----- \$175

TR5557 BA (x4 Tie Rods) ----- \$300

AS5557-BA(Original Style Sleeves) - \$150pr

AS5557-ALM(Polished Hex Sleeves) \$150pr

1958-1964 Impala

With Original Power Steering



***Original Equipment/**New Equipment/(CE\$)**

Set includes PS Cylinder w/Bracket, Centerlink w/Valve, Idler Arm & Pitman Arm, Inner & Outer Tie Rods w/Sleeves, Black Boots, Zerks, Nuts & Cotter Pins

***SL5860 PWR (OE Set) ----- \$1000**

****SL5860 PWR (New Equipment) - \$1600**

***SL6164-PWR (OE Set) ----- \$1100**

****SL6164-PWR (New Equipment)- \$1500**

Add Color Boots ----- \$50 Extra

Add Color Hoses ----- \$60 Extra

Add HEX Sleeves (Billet) ----- \$50 Extra

Add Heavy Duty Tie Rods -\$100 Extra

Heavy Duty Idler Arm(61-64)-\$50 Extra

****Individual Components**

***CL5864-PWR (Centerlink) ----- \$550**

IA5860-IMP (Idler Arm)----- \$200

IA6164-IMP (Idler Arm)----- \$175

IA6164-CRV (Curved Idler Arm)--- \$200

TR5864 IMP (x4 Tie Rods) ----- \$300

AS5864-IMP (OG Style Adj Sleeves) \$150pr

AS5864-ALM(Polished Hex Sleeves)\$150pr

PA5864-MPS (Pitman Arm) ----- \$175

PC5864-IMP (Power Cylinder) --- \$350

PC5964-BKT (PC Bracket) ----- \$350

1958-1962 Impala

Manual



***Original Equipment/**New Equipment/(CE\$)**

MANUAL (No Power Steering) Set includes Centerlink, Idler Arm & Pitman Arm, Inner & Outer Tie Rods w/Sleeves, Black Boots, Zerks, Nuts & Cotter Pins

***SL5860-MNL (OE Set) ----- \$750**

****SL5860-MNL (New Set) ----- \$900**

***SL6162-MNL (OE Set) ----- \$750**

****SL6162- MNL (New Set) ----- \$900**

Add Color Boots ----- \$50 Extra

Add HEX Sleeves (Billet) ----- \$50 Extra

Heavy Duty Tie Rods ----- \$100 Extra

Heavy Duty Idler Arm(61-64)-\$50 Extra

****Individual Components**

CL5862-MNL (Centerlink) ----- \$300

IA5860-IMP (Idler Arm) ----- \$175

IA6164-IMP (Idler Arm) ----- \$175

TR5864 IMP(x4 Tie Rods) ----- \$300

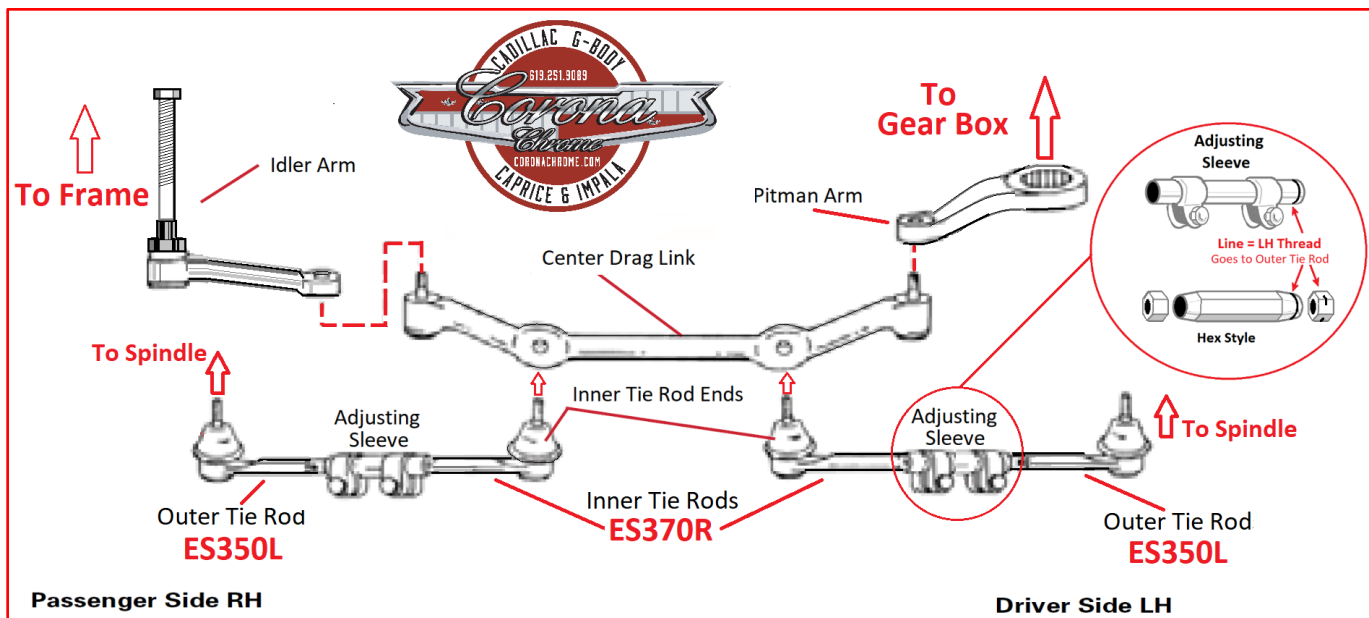
AS5864-IMP (OG Style Adj Sleeves) \$150pr

AS5864-ALM(Polished Hex Sleeves)\$150pr

***PA5864-MPS (Pitman Arm) ----- \$175**



STEERING LINKAGE SETS



1958-1964 Impala 500/605 Box



*Original Equipment/**New Equipment/{CE\$}
Set includes Centerlink, Idler & Pitman Arm, Inner & Outer Tie Rods w/ Sleeves, Black Boots, Zerks, Nuts & Cotter Pins

- **SL5864-605 (Set) ----- \$900
(Fits 58-64 with 500 or 605 Gear Box)
- Add Color Boots ----- \$50 Extra
- Add HEX Sleeves (Billet) ----- \$50 Extra
- Heavy Duty Tie Rods ----- \$100 Extra
- Heavy Duty Idler Arm ----- \$50 Extra

**Individual Components

- CL5864-605 (Centerlink) ----- \$200
- CL5864-REM (Reamed Centerlink) -- \$250
- IA6164-IMP (Idler Arm)----- \$175
- IA6164-CRV (Curved Idler Arm)--- \$200
- TR5864 IMP (x4 Tie Rods) ----- \$300
- AS5864-2IM (OG Style Adj Sleeves) -- \$150pr
- *PA6364-MNL ----- \$175

1965-1966 Impala/Caprice



*Original Equipment/**New Equipment/{CE\$}
Set includes Centerlink, Idler & Pitman Arm, Inner & Outer Tie Rods w/Sleeves, Black Boots, Zerks, Nuts & Cotter Pins

- **SL6566-IMP (Set) ----- \$900
- Add Color Boots ----- \$50 Extra
- Add HEX Sleeves (Billet) ----- \$50 Extra
- Heavy Duty Tie Rods ----- \$100 Extra

**Individual Components

- CL6566-IMP (Centerlink) ----- \$350
- IA6566-INE (Idler Arm) ----- \$175
- TR6570-IC (x4 Tie Rods) ----- \$300
- AS6570-2IC (Adj Sleeves) ----- \$150 pr
- *PA6570-MNL (Manual Pitman Arm) \$175
- PA6570-PWR (PS Pitman Arm) ----- \$175

1967-1970 Impala/Caprice



*Original Equipment/**New Equipment/{CE\$}
Set includes Centerlink, Idler & Pitman Arm, Inner & Outer Tie Rods w/Sleeves, Boots, Zerks, Nuts & Cotter Pins

- **SL6770-IMP(Set) ----- \$900
- Add Color Boots ----- \$50 Extra
- Add HEX Sleeves (Billet) ----- \$50 Extra
- Heavy Duty Tie Rods ----- \$100 Extra

**Individual Components

- CL6770-IMP (Centerlink) ----- \$350
- IA6770-IMP (Idler Arm) ----- \$175
- TR6570-IMP (x4 Tie Rods) ----- \$300
- AS6570-IC (Adj Sleeves) ----- \$150 pr
- *PA6570-MNL (Manual Pitman Arm) \$175
- PA6570-PWR (PS Pitman Arm) ----- \$175



STEERING LINKAGE SETS

1971-1976 Impala/Caprice



*Original Equipment/**New Equipment/{CE\$}
PITMAN ARM SOLD SEPARATELY

Set includes Centerlink, Idler Arm, Inner & Outer Tie Rods w/Sleeves, Black Boots, Zerks, Nuts & Cotter Pins

- **SL7172-IMP**(Special Order) --- **\$800**
- **SL7376-IMP** (Set) ----- **\$650**
- Add Color Boots** ----- **\$50 Extra**
- Add HEX Sleeves** (Billet) ----- **\$50 Extra**
- Heavy Duty Tie Rods** ----- **\$100 Extra**

**Individual Components

- CL7172-IMP** (Special Order) ----- **\$350**
- CL7376-IMP** (Centerlink) ----- **\$250**
- IA7172-IMP** (Idler Arm) ----- **\$175**
- IA7374-IMP** (Idler Arm W/Foot) --- **\$175**
- IA7476-IMP** (Idler Arm) ----- **\$175**
- TR7176-IMP** (x4 Tie Rods) ----- **\$300**
- AS7196-ICC** (Adj Sleeves) ----- **\$125 pr**
- *PA7176-IC** (Pitman Arm) ----- **\$175**

1971-1972 Monte Carlo/ Chevelle/El Camino 1973-1977 Monte Carlo



****New-In-Box Equipment**

Includes Centerlink, Idler Arm, Inner & Outer & Tie Rods w/Sleeves, Black Boots, Zerks, Nuts & Cotter Pins

- **SL7172-MC** (Set) ----- **\$650**
- **SL7377-MC** (Includes Damper Shock) - **\$750**
- Add Color Boots** ----- **\$50 Extra**
- Add HEX Sleeves** (Billet) ----- **\$50 Extra**

**Individual Components

- CL7172-MC** (Centerlink) ----- **\$250**
- CL7377-MC** (Centerlink) ----- **\$250**
- PC7377-MC** (Damper Shock) ----- **\$200**
- IA7172-MC** (Idler Arm) ----- **\$175**
- IA7376-IMP** (Idler Arm) ----- **\$175**
- TR7172-MC** (x4 Tie Rods) ----- **\$300**
- TR7377-MC** (x4 Tie Rods) ----- **\$300**
- AS7196-ICC** (Adj Sleeves) ----- **\$125 pr**

1973-1977 A Body

73-77 Buick Regal, Oldsmobile Cutlass, Chevy El Camino



****New-In-Box Equipment**

PITMAN ARM SOLD SEPARATELY

Includes Centerlink, Idler Arm, Inner & Outer Tie Rods w/Sleeves, Black Boots, Zerks, Nuts & Cotter Pins

- **SL7377-SET** (Set) ----- **\$650**
- Add Color Boots** ----- **\$50 Extra**
- Add HEX Sleeves** (Billet) ----- **\$50 Extra**

**Individual Components

- CL7376-IMP** (Center Link) ----- **\$200**
- IA7374-IMP** (Idler Arm w/Foot) - **\$175**
- IA7577-IMP** (Idler Arm) ----- **\$175**
- TR7176-IMP** (x4 Tie Rods) ----- **\$300**
- AS7196-ICC** (Adj. Sleeves) ----- **\$125 pr**

1965-1972 C10 Pick-Up



****New-In-Box Equipment**

IDLER ARM BRACKET SOLD SEPARATELY
Includes Centerlink, Idler Arm, Inner & Outer Tie Rods w/Sleeves, Black Boots, Zerks, Nuts & Cotter Pins

- **SL6670-C10** (Set) ----- **\$950**
- **SL7172-C10** (Set) ----- **\$950**
- Add Color Boots** ----- **\$50 Extra**
- Add HEX Sleeves** (Billet) ----- **\$50 Extra**

**Individual Components

- CL6372-C10** (Center Link) ----- **\$450**
- IA6372-IMP** (Idler Arm) ----- **\$175**
- IA6372-BKT** (Bracket to Frame) - **\$175**
- TR6570-IC** (x4 Tie Rods) ----- **\$300**
- TR7172-C10** (x4 Tie Rods) ----- **\$300**
- AS7196-ICC** (Adj. Sleeves) ----- **\$125 pr**

1981-2002 Lincoln

81-02 Lincoln Town Car



****New-In-Box Equipment**

Includes Centerlink, Idler Arm, Pitman Arm, Inner & Outer Tie Rods w/Sleeves, Black Boots, Zerks, Nuts & Cotter Pins

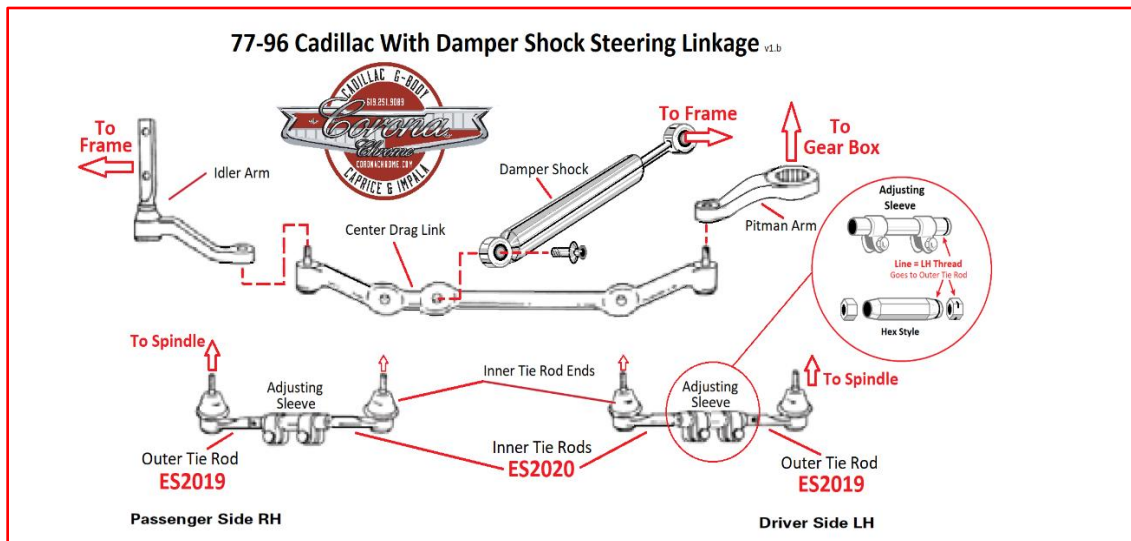
- **SL9502-LTC** (Set) ----- **\$600**
- **SL8194-LTC** (Set) ----- **\$800**
- Add Color Boots** ----- **\$50 Extra**
- Add HEX Sleeves** (Billet) ----- **\$50 Extra**

**Individual Components

- CL8194-LTC** (Center Link) ----- **\$350**
- CL9502-LTC** (Center Link) ----- **\$200**
- IA8803-LTC** (Idler Arm) ----- **\$175**
- IA9502-LTC** (Pitman Arm) ----- **\$175**
- TR8802-LTC** (x4 Tie Rods) ----- **\$300**
- AS9502-LTC** (Adj. Sleeves) ----- **\$125 pr**



STEERING LINKAGE SETS CONT.



1977-1996 Cadillac

With Damper Shock

- 1977-1984 Cadillac DeVille RWD
- 1977-1992 Cadillac Brougham RWD
- 1993-1996 Cadillac Fleetwood



****New-In-Box Equipment**

PITMAN ARM SOLD SEPARATELY

Includes Centerlink, Idler Arm, Damper Shock, Inner & Outer Tie Rods w/Sleeves, Black Boots, Zerks, Nuts & Cotter Pins

- **SL7796-CAD (Black Boots) ----- \$750**
- Add Color Boots ----- \$50 Extra**
- Add HEX Sleeves (Billet) ----- \$50 Extra**
- Heavy Duty Centerlink ----- \$75 Extra**
- Heavy Duty Tie Rods ----- \$100 Extra**
- Heavy Duty Idler Arm ----- \$50 Extra**

****Individual Components**

- CL7796-CAD (Center Link) ----- \$225**
- PC7796-CAD (Damper Shock) ----- \$200**
- IA7796-ICG (Idler Arm) ----- \$150**
- TR7796-ICC (x4 Tie Rods) ----- \$300**
- AS7196-ICC (Adj. Sleeves) ----- \$125 pr**
- *PA7796-CAD (Pitman Arm) ----- \$200**
- **PA7796-HDC (Heavy Duty) ----- \$250**

1977-1996 Impala/Caprice

1977-1984 Cadillac

Deville/Fleetwood Without Damper Shock



****New-In-Box Equipment**

PITMAN ARM SOLD SEPARATELY

Set includes Centerlink, Idler Arm, Inner & Outer Tie Rods w/Sleeves, Black Boots, Zerks, Nuts & Cotter Pins

- **SL7796-IMP (Set) ----- \$650**
- Add Color Boots ----- \$50 Extra**
- Add HEX Sleeves (Billet) ----- \$50 Extra**
- Heavy Duty Centerlink ----- \$75 Extra**
- Heavy Duty Tie Rods ----- \$100 Extra**
- Heavy Duty Idler Arm ----- \$50 Extra**

****Individual Components**

- CL7796-IMP (Centerlink) ----- \$225**
- IA7796-ICG (Idler Arm) ----- \$150**
- TR7796-ICC (x4 Tie Rods) ----- \$300**
- AS7196-ICC (Adj. Sleeves) ----- \$125 pr**
- *PA7796-CAD (Pitman Arm) ----- \$200**
- **PA7796-HDC (Heavy Duty) ----- \$250**

1978-1988 G Body

- 1978-1987 Buick Regal
- 1978-1988 Oldsmobile Cutlass
- 1978-1988 Chevy El Camino
- 1978-1983 Chevy Malibu



****New-In-Box Equipment**

PITMAN ARM SOLD SEPARATELY

Includes Centerlink, Idler Arm, Inner & Outer Tie Rods w/Sleeves, Black Boots Zerks, Nuts & Cotter Pins

- **SL7887-SET (Set) ----- \$600**
- Add Color Boots ----- \$50 Extra**
- Add HEX Sleeves (Billet) ----- \$50 Extra**
- Heavy Duty Centerlink ----- \$75 Extra**
- Heavy Duty Tie Rods ----- \$100 Extra**
- Heavy Duty Idler Arm ----- \$50 Extra**

****Individual Components**

- CL7887-G (Center Link) ----- \$200**
- CL7887-HDG (Center Link) ----- \$275**
- IA7796-ICG (Idler Arm) ----- \$150**
- TR7887-G (x4 Tie Rods) ----- \$300**
- AS7887-G (Adj. Sleeves) ----- \$125 pr**
- AS7887-HEX (HEX. Sleeves) -- \$125 pr**
- *PA7887-G (Pitman Arm) ----- \$150**



STEERING LINKAGE COMPONENTS

1958-1964 Impala TIE ROD SETS



****New Equipment**
TR5864-XXX(Tie Rods w/Sleeves) -- **\$400**
 Add Color Boots ----- **\$50 Extra**
 Add HEX Sleeves (Billet) ----- **\$50 Extra**
 Heavy Duty Tie Rods ----- **\$100 Extra**
AVAILABLE BOOT COLORS
-XXX= COLOR

1955-1957 Bel Air



****New Equipment**
TR5557 XXX (Tie Rods w/Sleeves) - **\$400**
OPTIONS
 Color Boots ----- **\$50 Extra**
 Add HEX Sleeves (Billet) ----- **\$50 Extra**

1965-1970 Impala

****New Equipment**
TR6570 XXX (Tie Rods w/Sleeves) - **\$400**
OPTIONS
 Color Boots ----- **\$50 Extra**
 Add HEX Sleeves (Billet) ----- **\$50 Extra**

1971-1972 Monte Carlo



****New Equipment**
TR7172-MC (Tie Rods w/Sleeves)-- **\$300**
Options
 Color Boots ----- **\$50 Extra**
 Add HEX Sleeves (Billet) ----- **\$50 Extra**
 Heavy Duty Tie Rods ----- **\$100 Extra**

1971-1976 Caprice/Impala



****New Equipment**
TR7176-XXX(Tie Rods w/Sleeves) -- **\$350**
Options
 Color Boots ----- **\$50 Extra**
 Add HEX Sleeves (Billet) ----- **\$50 Extra**
 Heavy Duty Tie Rods ----- **\$100 Extra**

1977-1996

Cadillac/Caprice/Impala



****New Equipment**
TR7796-XXX(Tie Rods w/Sleeves) -- **\$350**
Options
 Color Boots ----- **\$50 Extra**
 Add HEX Sleeves (Billet) ----- **\$50 Extra**
 Heavy Duty Tie Rods ----- **\$100 Extra**

1978-1987 G Body



****New Equipment**
TR7887-XXX (Tie Rods w/Sleeves) - **\$350**
OPTIONS
 Add Color Boots ----- **\$50 Extra**
 Add HEX Sleeves (Billet) ----- **\$50 Extra**
 Heavy Duty Tie Rods ----- **\$100 Extra**

TIE ROD DUST BOOTS



Universal Color Boots

Available for Tie Rods, Idler Arm, Pitman Arm, and Centerlink

See Page 25 for details

-BLK (Black)	
BRN (Brown)	RED (Red)
-LBL (Light Blue)	-DRD (Dark Red)
-BLU (Blue)	-LGN (Light Green)
-DBL (Dark Blue)	-GRN (Green)
-ORG (Orange)	-DGN (Dark Green)
-PPL (Purple)	-PNK (Pink)
-TEA (Teal)	-YLW (Yellow)
-WHT (White)	-GLD (Gold)



STEERING LINKAGE COMPONENTS

IDLER ARM ADAPTER



**New Equipment

Includes Adapter Plate, Bolts, Nuts
1958-1960 Impala

IA5860-ADP ----- \$130

IDLER ARM



Impala
Idler Arms

Coronachrome.com
619-251-9089

58-60

61-64
Curved

61-64
Bracket

**New Equipment

Includes Idler Arm, Bolts, Nuts with
Bracket, Zerk Fittings and Cotter Pins

1958-1960 Impala

IA5860-IMP (Idler Arm) ----- \$200

1961-1964 Impala

IA6164 CRV (Curved) ----- \$175

IA6164 IMP (Bracket) ----- \$175

IA6164-HD (Heavy Duty w/Bracket) -- \$225

ADD \$20 for Color Boot & Grommet



**New Equipment

1965-1966 Impala

IA6566-IMP (W/Black Boot) ----- \$175

ADD \$15 for Color Boot



**New Equipment

1967-1970 Impala/Caprice

IA6770-NE ----- \$175

IDLER ARM



1971-1972 Impala/Caprice

**IA7172-IMP ----- \$175

1971-1972 Monte Carlo

**IA7172-MC ----- \$175

1973-1974 Impala/Caprice

**IA7374-IMP (Idler Arm W/Foot) \$175

1974-1976 Impala/Caprice

**IA7476-IMP ----- \$175

1975-1977 A Body

**IA7577-IMP ----- \$175

ADD \$15 for Color Boot



**New Equipment

1978-1987 G Body

1977-1996 Cadillac/Impala/Caprice

IA7796-ICG ----- \$150

IA7796-HD (Heavy Duty) ----- \$200

ADD \$15 for Color Boot

PITMAN ARMS



*Original Equipment

1958-1962 Impala Manual & PS

1963-1964 Impala Power Steering Only

PA5862-MPS ----- \$175



**New Equipment

1963-1964 Impala Manual Only

PA6364-MNL(W/Black Grommet) -- \$175

ADD \$10 for Color Grommet

PITMAN ARM



*Original Equipment

1965-1970 Impala

*PA6570-MNL (Length 7") ----- \$175

*PA6570-PWR (Length 7.5") ---- \$175



*Original Equipment

1971-1976 Impala/Caprice

*PA7176-IMP ----- \$175



Stock

Heavy-Duty
(Proforged)

*Original Equipment **New Equipment

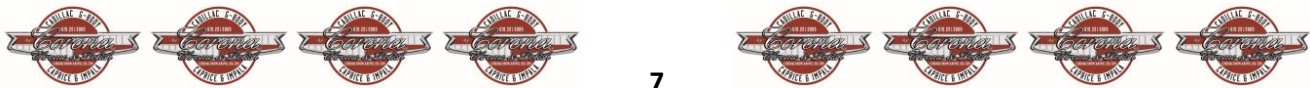
1978-1987 G Body

*PA7887-G ----- \$150

1977-1996 Cadillac/Caprice

*PA7796-ICC ----- \$200

**PA7796-HDC (Heavy Duty) --- \$250



STEERING COMPONENTS

POWER STEERING CYLINDER



****New Equipment**

1955-1957 Bel Air

PC5557 BA (W/Black Grommets) - \$300

ADD \$20 for Color Bushings

POWER STEERING CYLINDER



***New Equipment**

1958-1964 Impala

PC5864-IMP (W/Black Boots) --- \$350

ADD \$30 for Color Bushings/Boots

DAMPER SHOCK



****New Equipment**

1977-1996 Cadillac

1973-1977 Monte Carlo

PC7784-CAD (Dia=1-5/8", L=15-1/2") - \$200

PC8795-CAD (Dia=1-7/8", L=15-5/8") - \$200

PC8796-CAD (Dia=1-5/8", L=17") --- \$200

CENTERLINKS



****NEW Equipment**

1958-1964 Impala

CL5864-PWR ----- \$600

CL5864-MNL ----- \$300

CL5864-605 (Fits 500/605 Gear Box) -- \$250

CL5864-REM (Fits 500/605 Gear Box-Reamed for Tie Rods to clear frame) ----- \$300

PS CONTROL VALVE



****New-In-Box Equipment**

Includes Coupler, Clamp, Boot & Guts

****PS5864-VLV ----- \$350**

CENTERLINKS



****New Equipment**

Includes Nuts, Black Bushings, Cotter Pins and Zerk Fittings

1965-1966 Impala/Caprice

****CL6566-IMP ----- \$380**

1967-1970 Impala/Caprice

****CL6770-IMP ----- \$380**



****New Equipment**

1971-1976 Impala/Caprice

****CL7172-IC (71-72) ----- \$350**

****CL7376-IC (73-76) ----- \$250**

****CL7376-HDI (73-76 Heavy Duty) \$325**

63-72 C10 Pickup Centerlink



****New Equipment**

1963-1972 C10

****CL6372-C10 ----- \$450**

CENTERLINKS



****New Equipment**

1977-1996 Cadillac

With Damper Shock Mounting Hole

CL7796-CAD ----- \$225

CL7796-HDC (Heavy Duty) ----- \$300



****New Equipment 1977-1996**

Cadillac/Impala/Caprice

WITHOUT Damper Shock Mounting Hole

CL7796-ICC ----- \$225

CL7796-HDI (Heavy Duty) ----- \$300

1978-1987 G Body

CL7887-G ----- \$225

CL7887-HDG (Heavy Duty) ----- \$300

55-57 BEL AIR DRAGLINK BUSHING



****New Equipment**

CL5557-BSH (Centerlink Bushing) --- \$50

55-57 BEL AIR IDLER ARM BUSHING



****New Equipment**

IA5557-BSH (Idler Arm Bushing) ---- \$50



STEERING COMPONENTS

UPPER & LOWER INTERMEDIATE STEERING SHAFT



*Original Equipment/{CE\$}
1959-1964 Impala

- **Lower Shaft Includes New Rag Joint Coupler Sold Separately #SC6164-IMP
- *SS5964-UPR (Upper Shaft Only) ---- \$200
- *SS5960-LWR (With New Rag Joint) - \$300
- *SS6164-LWR(With New Rag Joint) - \$300

500/605 GEARBOX DIRECT REPLACEMENT STEERING SHAFT



**New Equipment

- Includes Rag Joint and Steering Shaft (Rag Joint is a 3/4" 30 Spline 3 1/4"OD)
- 1958-1964 Impala
- RJSSDD-605 ----- \$250

605 STEERING SHAFT ADAPTER



**New Equipment/{CE\$}
UNIVERSAL

- RJADAP-605 ----- \$150

STEERING SHAFT COUPLER KIT



**New-In-Box Equipment

- Includes Coupler, Clamp, Boot & Guts
- **SC6164-IMP ----- \$175

COUPLER (RAG JOINT)



**New-In-Box Equipment

- Photo shows front and back
- Includes Coupler and Hardware.
- 1959-1969 Impala/Caprice
- RJ202-36 3/4" 36 Spline 3 1/4"OD-\$100
- 1965-1976 Impala/Caprice
- RJ200-25 3/4" 25 Spline 3 1/4"OD-\$100
- 1965-1976 Impala/Caprice
- RJ201-31 3/4" 31 Spline 3 1/4"OD-\$100
- 1977-1996 Cadillac/Impala/Caprice
- 1978-1987 G Body
- RJ205-26 3/4" 26 Spline 3 1/4"OD-\$100

STEERING SHAFT



*Original Equipment/{CE\$}

- Includes Rag Joint and New Boot
- Color Boot Options Available
- 1978-1987 G Body

- SS7887-G-----\$300
- 1977-1996 Cadillac RWD
- SS7796-CAD-----\$350

LOWER INTERMEDIATE STEERING SHAFT

Jeep Upgrade for G Body



*Original Equipment/{CE\$}

- 1978-1987 G Body

- SS7887-JUG(Eliminates Rag Joint) - \$350

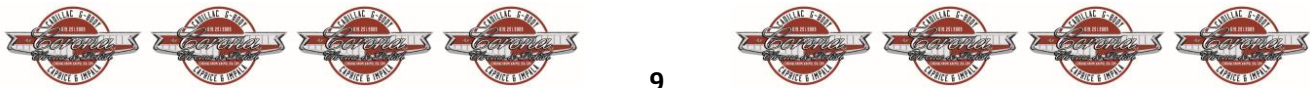
GEAR BOX ADAPTER PLATE SET



**New-In-Box Equipment

- Includes Adapter Plate, Swaybar Bracket Extenders and Hardware
- 1958-1964 Impala

- GBADPL-605 ----- \$225



SUSPENSION

FRONT SWAYBAR



*Original Equipment/{CE\$}
1958-1964 Impala

SB5864-FRT-----\$350

1965-1970 Impala/Caprice

SB6570-FRT-----\$350



*Original Equipment/{CE\$}
1971-1976 Impala

SB7176-FRT-----\$450



*Original Equipment/{CE\$}
1978-1987 G Body

SB7887-FRT-----\$400

1977-1996 Cadillac/Caprice/Impala
SB7796-FRT-----\$450

REAR SWAYBAR



*Original Equipment/{CE\$}
1977-1996 Cadillac/Caprice/Impala

SB7796-RTK (Thick) ----- \$450

SB7796-RTN (Thin) ----- \$400

REAR SWAYBAR



*Original Equipment/{CE\$}
1978-1987 G Body

SB7887-R-----\$400

FRONT SWAYBAR BRACKETS



*New & **Original Equipment/{CE\$}

AVAILABLE BUSHING COLORS -XXX= COLOR

-BLK (Black)	
BRN (Brown)	RED (Red)
-LBL (Light Blue)	-DRD (Dark Red)
-BLU (Blue)	-LGN(Light Green)
-DBL (Dark Blue)	-GRN (Green)
-ORG (Orange)	-DGN(Dark Green)
-PPL (Purple)	-PNK (Pink)
-TEA (Teal)	-YLW (Yellow)
-WHT (White)	-GLD (Gold)

1958-1964 Impala

SB5864-BKT (Brackets Only) ----- \$100

SBBU17-XXX(Color Bushings ONLY) - \$30

HW5870-BKT (x4 Polished SS Bolts) - \$30

1965-1970 Impala/Caprice

SB6570-BKT (Brackets Only) ----- \$100

SBBU17-XXX(Color Bushing ONLY) -- \$30

HW5870-BKT (x4 Polished SS Bolts) - \$30

FRONT SWAYBAR BRACKETS



**New Equipment

1971-1981 Impala/Caprice

SB7181-BKT (Brackets Only) ----- \$100

HW7196-BKT (x4 Polished SS Bolts) - \$30



*New & **Original Equipment/{CE\$}

1978-1987 G Body

1977-1996 Cadillac

SB7796-BKT (Brackets Only) ----- \$100

SBBU30-XXX(Color Bushings ONLY)- \$30

HW7196-BKT (x4 Polished SS Bolts) - \$30

REAR SWAYBAR (PANHARD)



*Original Equipment/{CE\$}

Includes New Bushings & Hardware

1958-1970 Impala/Caprice

PH5870-BAR (Bar Only) ----- \$280

PH5870-BLK (w/Black Bushings) - \$330

PH5870-RED (w/Red Bushings) -- \$330

Hardware & Bushings

Also Sold Separately See Pg 24



SUSPENSION Cont.

UPPER CONTROL ARM SHAFTS

"Dogbones"



58-64 Impala

Part# DB5864

Color Bushings Available



**New Equipment

Includes Control Shafts, Bushings, Washers and Nuts
1958-1964 Impala

**DB5864-UPR ----- \$300pr

1965-1970 Impala/Caprice

**DB6570-IMP ----- \$350pr

1978-1987 G Body

**DB7887-G ----- \$325pr

**DB7887-HDG (Heavy Duty)--- \$400pr

**DB7887-OSG (Off Set + Camber)\$350pr

1977-1996 Cadillac/Caprice

**DB7796-ICC ----- \$350pr

**DB7796-HDC (Heavy Duty) --- \$425pr

LOWER CONTROL ARM SHAFTS

"Dogbones"



**New Equipment

Includes Control Shafts, Bushings, Washers and Nuts
1958-1964 Impala

**DB5864-LWR ----- \$350pr

LOWER CAMBER BOLTS



**New Equipment

1965-1970 Impala/Caprice

CM6570-BLT (With Bushings) - \$250pr



*Original Equipment/{CE\$}

1978-1987 G Body

*SPIN78-87G ----- \$600pr

1977-1996 Cadillac/Caprice

SPIN77-96C ----- \$700pr



59-64 Impala

Spindles
Knuckles
Backing Plates



65-70 Impala/Caprice

Spindles
Knuckles
Backing Plates

*Original Equipment/{CE\$}

1958-1970 Impala/Caprice

SPIN58-64I (Complete) ----- \$850pr

SPIN65-70I (Complete) ----- \$850pr

KNKL58-64I (Knuckles Only) ---- \$370pr

KNKL65-70I (Knuckles Only) ---- \$370pr

REAR SHOCK BRACKETS



**New Equipment

1959-1964 Impala

SM5964-BKT ----- \$175pr

JOUNCE BARS



*Original Equipment/{CE\$}

1978-1987 G Body

JB7887-G ----- \$250

JB7887-BLT (Mounting Bolts) ---- \$35

STRUT RODS



*Original Equipment/{CE\$} **NEW Equipment

1965-1970 Impala/Caprice

*SR6570-SET (Without Bushings) - \$450

**SRBUSH-XXX (Color Bushings ONLY) \$50

AVAILABLE BUSHING COLORS

-XXX= COLOR

-BLK (Black)	-RED (Red)
-BRN (Brown)	-DRD (Dark Red)
-LBL (Light Blue)	-LGN (Light Green)
-BLU (Blue)	-GRN (Green)
-DBL (Dark Blue)	-DGN (Dark Green)
-ORG (Orange)	-PNK (Pink)
-PPL (Purple)	-YLW (Yellow)
-TEA (Teal)	-GLD (Gold)
-WHT (White)	-NGY (Nardo Gray)

Hardware & Bushings

Sold Separately See Pg 23





SUSPENSION Cont.

REAR SHOCKS



*New Equipment

1978-1987 G Body

RSHKG-STD (Stock Length) ----- \$300

77-96 Cadillac (RWD)

RSHKCA-STD (Stock Length) ----- \$300

58-76 Impala/Caprice

RSHKIM-STD (Stock Length) ----- \$300

1978-1987 G Body

77-96 Cadillac (RWD)

RSHKGC-EXT (Extended Length) -- \$350

58-76 Impala/Caprice

RSHKIM-EXT (Extended Length) -- \$350

SWAYBAR LINKS



**New Equipment

Includes Bolts, washers, bushings and sleeves

AVAILABLE BUSHING COLORS

-XXX= COLOR

-BLK (Black)	-RED (Red)
-BRN (Brown)	-DRD (Dark Red)
-LBL (Light Blue)	-LGN (Light Green)
-BLU (Blue)	-GRN (Green)
-DBL (Dark Blue)	-DGN (Dark Green)
-ORG (Orange)	-PNK (Pink)
-PPL (Purple)	-YLW (Yellow)
-TEA (Teal)	-GLD (Gold)
-WHT (White)	-NGY (Nardo Gray)



Pink



Light Blue

SWAYBAR LINKS

1958-1964 Impala

1978-1987 G Body

LK5254-BLK (Black)-----\$80

LK5254-XXX (Color)-----\$95

1965-1970 Impala/Caprice

LK6570-BLK (Black)-----\$80

LK6570-XXX (Color)-----\$95

1946-1948 Fleetmaster

1946-1952 Fleetline

1950-1957 Bel Air

1971-1996 Impala/Caprice

1977-1996 Cadillac RWD Fleetwood

1973-1977 El Camino/Malibu

1975-1977 Cutlass

1973-1975 Chevelle

LK5252-BLK (Black)-----\$80

LK5252-XXX (Color)-----\$95

LK5252-BEG (Beige)-----\$95

1964-1972 El Camino/Chevelle

1970-1972 Monte Carlo

1965-1976 Cadillac Fleetwood

LK8266-BLK (Black)-----\$80

LK8266-XXX (Color)-----\$95





SUSPENSION Cont.

ALL BALL JOINTS are NEW EQUIPMENT and INCLUDE: Ball Joints, Dust Boots, Hardware, Zerk Fittings & Cotter Pins

3 BOLT UPPER BALL JOINTS



AVAILABLE BOOT COLORS

-XXX= COLOR

-BLK (Black)	
BRN (Brown)	RED (Red)
-LBL (Light Blue)	-DRD (Dark Red)
-BLU (Blue)	-LGN(Light Green)
-DBL (Dark Blue)	-GRN (Green)
-ORG (Orange)	-DGN(Dark Green)
-PPL (Purple)	-PNK (Pink)
-TEA (Teal)	-YLW (Yellow)
-WHT (White)	-GLD (Gold)

STANDARD DUTY

3 BOLT UPPER BALL JOINTS

1955-1970 Bel Air/ Impala/Caprice
 BJ6034-BLK (Black) ----- \$175
 BJ6034-XXX (Includes Color Boots) -- \$200

HEAVY DUTY (UNBREAKABLE)

3 BOLT UPPER BALL JOINTS

1955-1970 Bel Air/ Impala/Caprice
 HD6034-BLK (Black) ----- \$225
 HD6034-XXX (Includes Color Boots) - \$250

LOWER BALL JOINTS



STANDARD DUTY

1955-1957 Impala/Caprice

BJ5557-BLK (Black) ----- \$200
 BJ5557-XXX (Includes Color Boots) -- \$225

LOWER BALL JOINTS



STANDARD DUTY

1958-1970 Impala/Caprice

BJ6035-BLK (Black) ----- \$175
 BJ6035-XXX (Includes Color Boots) -- \$200

HEAVY DUTY (UNBREAKABLE)

HD6035-BLK (Black) ----- \$225
 HD6035-XXX (Includes Color Boots) - \$250



SUSPENSION Cont.

ALL BALL JOINTS are NEW EQUIPMENT and INCLUDE: Ball Joints, Dust Boots, Hardware, Zerk Fittings & Cotter Pins

STANDARD DUTY

4 BOLT UPPER BALL JOINTS



1977-1996 Cadillac/Impala/Caprice
1978-1987 G Body

AVAILABLE BOOT COLORS

-XXX= COLOR

-BLK (Black)

BRN (Brown)	RED (Red)
-LBL (Light Blue)	-DRD (Dark Red)
-BLU (Blue)	-LGN(Light Green)
-DBL (Dark Blue)	-GRN (Green)
-ORG (Orange)	-DGN(Dark Green)
-PPL (Purple)	-PNK (Pink)
-TEA (Teal)	-YLW (Yellow)
-WHT (White)	-GLD (Gold)

BJ5208-BLK (Black) ----- \$175

BJ5208-XXX (Includes Color Boots)-\$200

HEAVY DUTY (UNBREAKABLE)

4 BOLT UPPER BALL JOINTS



1977-1996 Cadillac/Impala/Caprice
1978-1987 G Body

AVAILABLE BOOT COLORS

-XXX= COLOR

-BLK (Black)

BRN (Brown)	RED (Red)
-LBL (Light Blue)	-DRD (Dark Red)
-BLU (Blue)	-LGN(Light Green)
-DBL (Dark Blue)	-GRN (Green)
-ORG (Orange)	-DGN(Dark Green)
-PPL (Purple)	-PNK (Pink)
-TEA (Teal)	-YLW (Yellow)
-WHT (White)	-GLD (Gold)

HD5208-BLK (Black) ----- \$225

HD5208-XXX (Includes Color Boots)- \$250

LOWER BALL JOINTS

Standard and Heavy Duty



1977-1996 Cadillac/Impala/Caprice
1978-1987 G Body

AVAILABLE BOOT COLORS

-XXX= COLOR

-BLK (Black)

BRN (Brown)	RED (Red)
-LBL (Light Blue)	-DRD (Dark Red)
-BLU (Blue)	-LGN(Light Green)
-DBL (Dark Blue)	-GRN (Green)
-ORG (Orange)	-DGN(Dark Green)
-PPL (Purple)	-PNK (Pink)
-TEA (Teal)	-YLW (Yellow)
-WHT (White)	-GLD (Gold)

BJ6145-BLK (Black) ----- \$175

BJ6145-XXX (Includes Color Boots)- \$200

HD6145-BLK (Heavy Duty Black) -- \$225

HD6145-XXX (Heavy Duty Color) --- \$250



SUSPENSION Cont.

CONTROL ARM BUSHINGS



**New Equipment

Impala/Bel Air/Caprice

1955-1970 Impala/Bel Air

BK5196-FUI (Front Upr Set of 4) - \$100



**New Equipment

1955-1964 Impala/Bel Air

BK0304-FLI (Front Lwr Set of 4) - \$100

1959-1964 Impala

45G11-005 (Rear Uppers Set of 2) - \$100

45G11-045 (Rear Lwrs Set of 4) ---- \$190

1965-1970 Impala/Caprice

BK6134-FLI (Front Lwr pair) ----- \$100

CONTROL ARM BUSHINGS



1965-1970 Impala/Caprice

45G11-005 (Rear Lwr Forward) \$100pr

BK6075-RUL (Rear Upr or Lwr Rearward)----- \$100pr

1971-1973 Impala/Caprice

BK6108-FUI (Front Upr Set of 4) - \$100

1974-1979 Impala/Caprice

BK6144-FUI (Front Upr Set of 4) - \$100

1971-1996 Impala/Caprice

BK6109-FLC (Front Lwr Set of 4) - \$100

BK6111-RUC (Rear Upr Set of 4) - \$100

BK6116-RLC (Rear Lwr Set of 4) - \$100



1980-1996 Cadillac/Impala/Caprice

BK6198-FUC (Front Upr Set of 4) - \$100

1980-1996 Cadillac

BK6109-FLC (Front Lwr Set of 4) - \$100

1977-1996 Cadillac

BK6111-RUC (Rear Upr Set of 4) - \$100

BK6116-RLC (Rear Lwr Set of 4) - \$100



1978-1987 G Body

BK6176-FUG (Front Upr Set of 4) \$100

BK6177-FLG (Front Lwr Set of 4) - \$100

BK6178-RUL (Rear Uppers or Lower Set of 4) ----- \$100

1978-1987 G-Body

1977-1996 Cadillac



**New Equipment

BK7887-FRD (Front Set of 8 GBody) \$250

BK8096-FRD (Front Set of 8 Cadi) -- \$250

1978-1987 G-Body



BK7887-RRD (Rear Set of 8) ----- \$250

1955-1970 BelAir/Impala/Caprice



BK5564-FRD (Red Front Set of 8) - \$260

1965-1970 Impala/Caprice



BK6570-FRD (Red Front Set) --- \$220



GAS TANK STRAPS

Tri Five



**New Equipment

1955-1957 Bel Air

ST5557-BA -----\$175

Impala



**New Equipment

1958-1960 Impala

ST5860-IMP -----\$175



**New Equipment

1961-1964 Impala

ST6164-IMP-----\$170



*Original Equipment

1965-1966 Impala/Caprice

ST6566-IC -----\$175

Impala



*Original Equipment

1967-1970 Impala/Caprice

ST6770-IC -----\$175

1971-1972 Impala/Caprice

ST7172-IC -----\$175

Impala



**New Equipment

1973-1976 Impala/Caprice

ST7376-IC -----\$175

G-Body Cadillac



**New Equipment

1978-1987 G Body

ST7887-G -----\$175

ST7887-ELC -----\$175

1977-1992 Cadillac/Impala/Caprice

ST7792-ICC-----\$175



*Original and New Equipment/{CES}

1993-1996 Cadillac/Impala/Caprice

ST9396-ICC-----\$250



HOOD HINGES & WIPERS

1977-1990 IMPALA/CAPRICE



*Original Equipment/{CE\$}

Includes Hinges and Springs

HH7790-CAP ----- \$400

1978-1992 CADILLAC



*Original Equipment/{CE\$}

Includes Hinges and Springs

HH7892-CAD ----- \$400

1993-1996 CADILLAC/CAPRICE



*Original Equipment/{CE\$}

HH9396-ICC ----- \$300

1978-1988 G BODY



*Original Equipment/{CE\$}

Includes Hinges and Snail Springs

1978-1988 G Body

HH7887-GSS (With Snail Spring)--\$400

1981-1988 Monte Carlo

HH8188-MC (With Snail Spring)--\$450

1978-1988 G BODY



*Original Equipment/{CE\$}

Includes Hinges Only

Hood Shock sold Separately

HH7887-GNS (No Snail Spring)---\$300

HOOD LIFT SUPPORTS



**New Equipment

1978-1988 G Body

HS7887-G ----- \$150

1993-1996 Cadillac Fleetwood

HS9396-CAD ----- \$160

1991-1996 Impala/Caprice

HS9196-CAP ----- \$160

WIPER ARMS



**Original Equipment/{CE\$}

1978-1987 G Body

WA7887-G ----- \$175

1977-1992 Cadillac/Caprice

WA7792-CC ----- \$175



*Original Equipment/{CE\$}

1977-1996 Cadillac

WA7792-CAD ----- \$175

WA9396-CAD ----- \$175



ENGINE COMPARTMENT



HOOD LATCH SET



*Original Equipment/{CE\$}
Includes Hood Latch, Hook and Spring
1978-1987 G Body
HL7887-G-----\$300

HOOD LATCH SET



*Original Equipment/{CE\$}
Includes Hood Latch, Hook and Spring
1977-1992 Cadillac RWD
HL7792-CAD-----\$300

TRUNK LATCH STRIKER SET

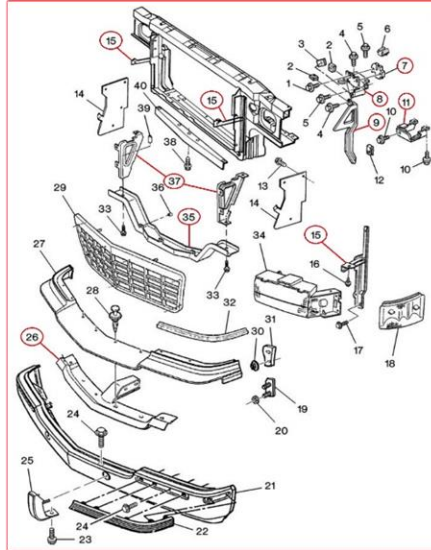


*Original Equipment/{CE\$}
Includes Trunk Latch and Bolts
1962-1970 Impala/Caprice
TL6270-IMP-----\$175

TRUNK LATCH



*Original Equipment/{CE\$}
Includes Trunk Latch and Bolts
1978-1987 G Body
TL7887-G-----\$100



GRILL BRACKET & LATCH SET



*Original Equipment/{CE\$}
Includes Hood Latch, Hook, Spring,
Grill Brackets & Vertical Support
1993-1996 Cadillac Fleetwood
HL9396-CAD-----\$1000

GRILL SUPPORT BRACKETS



*Original Equipment/{CE\$}
Includes Grill Support Brackets ONLY
1993-1996 Cadillac Fleetwood
GS9396-3PC-----\$450

FRONT VALANCE BRACKET



*Original Equipment
1993-1996 Cadillac Fleetwood
VB9396-CAD-----\$200

VERTICAL SUPPORT BRACKET



*Original Equipment/{CE\$}
Includes Support Bracket ONLY
1993-1996 Cadillac Fleetwood
VS9396-1PC-----\$200

DUST GUARD BRACKETS



*Original Equipment/{CE\$}
Includes 2 Rods and 4 Bolts
1993-1996 Cadillac Fleetwood
DG9396-BKT-----\$200

ENGINE SUPPORT BARS



*Original Equipment/{CE\$}
1977-1992 Cadillac Brougham
EB7792-4BR (4 Bars)-----\$400
EB7792-6BR (6 bars)-----\$500

FENDER TO COWL BARS



*Original Equipment/{CE\$}
1993-1996 Cadillac Brougham
FC9396-BAR-----\$200



ENGINE COMPARTMENT Cont.

RADIATOR COVER



*Original Equipment/{CE\$}
1978-1987 G Body

RC7887-G ----- \$300
1977-1992 Cadillac Fleetwood
RC7792-CAD ----- \$300

RADIATOR SUPPORT RODS



*Original Equipment
Includes 2 Rods and 4 Bolts
1978-1987 G Body

RR7887-G ----- \$150
1977-1996 Cadillac Fleetwood
RR7796-CAD ----- \$150

FENDER BRACES



*Original Equipment
1978-1987 G Body

FB7887-G ----- \$120

AC ACCUMULATOR TANK



**New & Original Equipment/{CE\$}
1978-1987 G Body

DC7887-----\$150
1977-1992 Cadillac/Caprice
DC7792-----\$150
1993-1996 Cadillac/Caprice
DC9396-----\$150

AC BLOWER MOTOR



**New Equipment
1959-1963 Impala

BM360-ICG (w/o Blower Motor) - \$150



**New Equipment

1964-1966 Impala/Caprice
BM351-ICG (w/o Blower Motor) - \$150

AC BLOWER MOTOR



**New Equipment

1964-1985 Impala

1966-1990 Caprice

1973-1987 Regal/Cutlass

BM102-ICG (w/o AC)-----\$175



**New Equipment

1977-1985 Impala

1977-1990 Caprice

1977-1992 Cadillac RWD

1978-1987 G Body

BM105-ICG (with AC)-----\$175



1993-1996 Cadillac Fleetwood
BM131-CAD ----- \$175



ENGINE COMPARTMENT Cont.

RADIATOR MOUNT BOLTS



**New Equipment

AVAILABLE BUSHING COLORS

-XXX= COLOR

-BLK (Black)	
-BRN (Brown)	-RED (Red)
-LBL (Light Blue)	-DRD(Dark Red)
-BLU (Blue)	-GRN (Green)
-DBL (Dark Blue)	-ORG (Orange)
-PNK (Pink)	-PPL (Purple)
-TEA (Teal)	-WHT (White)
-YLW (Yellow)	-GLD (Gold)

1959-1964 Impala

RM6164-BLK (Black) ----- \$125

RM6164-XXX (Includes Any Color) --- \$145



65-70 Impala/Caprice

Radiator Support Bushing Bolt Set

1965-1970 Impala/Caprice

RM1965-BLK (Black) ----- \$120

RM6668-BLK (Black) ----- \$120

RM6970-BLK (Black) ----- \$120

RB6570-XXX (Add Color Bushing) ---- \$30

AIR CLEANERS



*Original Equipment/{CE\$}

1978-1987 G Body

AC7887-GV6 ----- \$330

AC7887-GV8 ----- \$350

MOTOR MOUNTS



**New Equipment

1958-1972 Impala/Caprice

MM2267-283 ----- \$180

MM2142-327 ----- \$180

MM2283-350 ----- \$180



**New Equipment

1958-1972 Impala/Caprice

MM15RD-234 ----- \$200

MM18RD-350 ----- \$200



UNDERBELLY CHROME

TRUNK PAN COVER



**New Equipment

1961-1964 Impala

TP6164-CVR-----\$600

GAS TANK COVERS



**New Equipment

1977-1992 Cadillac/Caprice

GT7792-CVR-----\$550



**New Equipment

1978-1987 G Body

GT7887-G (Non El Camino) -----\$550

GT7887-EC (El Camino)-----\$500

SPARE TIRE COVER



*Original Equipment

1978-1987 G Body

SP7887-CVR-----\$500

DIFFERENTIAL COVERS



*Original & New (w/Gasket) Equipment

1978-1996 G Body/Caprice/Cadillac

DCGC7-5NP (w/7.50" or 7.625") - \$100

GSKT10-7 (w/7.50" or 7.625") ----- \$15



**New Equipment w/Gasket

1964-1996 Cadillac/Caprice/Impala

DCGC8-5NP (8.50"/8.625", No Plug) - \$100

DCIGC-85P (8.50"/8.625"W/Plug) - \$100

GSKT10-8 (w/7.50" or 7.625") ----- \$15



**New Equipment

1964-1970 Impala/Caprice

DC6470 (12 Bolt) ----- \$100

GSKT12 (12 Bolt) ----- \$15

DRIVE SHAFT SAFETY SUPPORT



*Original Equipment

Includes 4 Bolts & Washers

1977-1996 Cadillac/Caprice

DS7796-SAF (With Out Bolts) ----\$150

Bolts Also Sold Separately See Pg 23



*Original Equipment

Includes 4 Bolts & Washers

1978-1987 G Body

DS7887-SAF (With Out Bolts) --- \$150

Bolts Also Sold Separately See Pg 23

DRIVE SHAFT



*Original Equipment

1977-1996 Cadillac/Caprice

DS7796-CAD-----\$350

1978-1978 G Body

DS7887-G-----\$350

UNIVERSAL JOINT U BOLTS



**New Equipment

58-76 Bel Air/Impala/Caprice

UB5576-ICG-----\$60



UNDERBELLY CHROME

U-JOINT STRAPS



**New Equipment

55-57 Bel Air

58-70 Impala/Caprice

77-96 Cadillac

78-87 G-Body

US5596-ICG-----\$60

CROSSMEMBER



*Original Equipment

1978-1987 G Body

CM7887-GV6-----\$450

CM7887-GV8-----\$450



1965-1970 Impala/Caprice

CM6570-IMP-----\$450

FENDER TO VALANCE BARS



**New Equipment

1963-1964 Impala

FV6364-IMP ----- \$125

BUMPER BRACES



**New Equipment

1961-1964 Impala

Includes 4 Bolts & Washers

BB6164-IMP ----- \$225

BODY PAN PLUGS



Impala Floor Pan Plugs

**New Equipment

1961-1964 Impala

BPPLG6-IMP ----- \$125



BRAKE DRUMS & COMPONENTS

FRONT & REAR DRUMS



****New Equipment**

1951-1957 Bel Air

1958-1970 Impala/Caprice

RD8101-BIC ----- \$400

(Fits 51-57 Bel Air Front or Rear
Fits 58-70 Impala/Caprice Rear Only,)

FD8124-IC (Front) ----- \$400

(Fits 58-70 Impala, 65-69 Caprice)

REAR DRUMS



****New Equipment**

1978-1987 G Body

RD8839-GFN-(9.5" w/ Fins)-----\$350

RD8839-GSM-(9.5" Smooth)-----\$400

1971-1985 Impala

1971-1991 Caprice

RD8870-ICF-(11"x3.25" w/ Fins) -\$350

RD8870-ICS(11"x3.25" Smooth) --\$400

RD8873-ICF-(11"x4" tall w/ Fins)--\$350

RD8873-ICS(11"x4" tall Smooth)--\$400

1977-1984 Cadillac Fleetwood

DeVille (RWD)

RD8870-ICF-(11"x3.25" w/ Fins)- \$350

RD8870-ICS(11"x3.25"Smooth)--\$400

RD8504-CFN-(12" w/ Fins) ----- \$350

RD8504-CSM-(12" Smooth) ----- \$400

REAR DRUMS



****New Equipment**

1991-1996 Cadillac Fleetwood

RD8873-ICF-(11"x4" w/ Fins)---- \$350

RD8873-ICS-(11x4" Smooth)---- \$400

FRONT DUST SHIELDS



****New Equipment/{CE\$}**

1978-1987 G Body

FP7887-G-----\$250



***Original Equipment**

1993-1996 Cadillac Fleetwood

FP7796-CAD ----- \$250

REAR BACKING PLATES



****New & *Original Equipment/{CE\$}**

1978-1987 G Body

BP7887-GOE (Original Equip) -- \$200

BP7887-GNE (New Equip) ----- \$250

REAR BACKING PLATES



****New & *Original Equipment/{CE\$}**

1977-1996 Cadillac

BP7796-COE (Original Equip) ----\$225

BP7796-CNE (Original Equip) ----\$300

BRAKE CALIPERS



****New Equipment**

1978-1987 G Body

BC7887-G-----\$325



****New Equipment**

Stock NOT SHAVED will not fit 13" rims

1977-1996 CADILLAC

BC7796-CE2-----\$350

BC7796-CE3-----\$350



HARDWARE



CASTLE NUTS



*Original Equipment
Includes 2 Castle Nuts

- CSTL02-716 (7/16-20 Fine) ----- \$20 pr
- CSTL02-012 (1/2-20 Fine) ----- \$20 pr
- CSTL02-916 (9/16-18 Fine) ----- \$25 pr
- CSTL02-M10 (M10x1.25) ----- \$25 pr
- CSTL02-M12 (M12x1.25) ----- \$25 pr

FENDER TOP BOLT



*Original Equipment
Includes 2 Bolts
1978-1987 G Body

TFBOLT-G (Chrome)-----\$50 pr



**New Equipment- Polished Stainless Steel
Includes 2 Bolts
1958-1964 Impala

TFIP02-BLT (Polished)-----\$40 pr

WHEEL WELL BOLTS & WASHERS



**New Equipment
Includes Polished Stainless Steel Bolts
with 2" Washers
1978-1987 G Body
1977-1996 Cadillac
1971-1996 Impala/Caprice

WWBLT2-CGP (Polished Qty 2)-\$40 pr
WWBLT4-CGP (Polished Qty 4)-\$75 set

WHEEL WELL BOLTS & WASHERS



**New Equipment - Polished Stainless Steel
Includes Polished Bolts w/ 1.25" Washers

1958-1970 Impala/Caprice

WWIP02-BLT (Qty 2)-----\$40 Set
WWIP04-BLT (Qty 4)-----\$75 Set

DOOR STRIKERS



*Original Equipment
Includes 2 Bolts and 2 Washers
1965-1970 Impala/Caprice

DSBOLT-IMP-----\$60 pr

DOOR STRIKERS



*Original Equipment
Includes 2 Bolts and 2 Washers
1971-1992 Impala/Caprice/Cadillac
1978-1987 G Body

DSBOLT-ICG-----\$50 pr



*Original Equipment/{CES}
Includes 4 Strikers, 4 Washers, 8 Bolts
1993-1996 Impala/Caprice/Cadillac
DRSTKR-CAD-----\$200 set

HOOD HINGE BOLTS



*Original Equipment
13mm Hex Head Bolt w/Washer

1978-1987 G Body

HHBOLT-G02 (Qty 2) ----- \$20 pr
HHBOLT-G05 (Qty 5) ----- \$40 set
HHBOLT-G10 (Qty 10) ----- \$75 set



**New Equipment - Polished Stainless Steel
1958-1970 Impala/Caprice

HHIP08-BLT (Qty 8) ----- \$75 set
HHIP10-BLT (Qty 10) ----- \$95 set

TRUNK HINGE BOLTS

PICTURE COMING SOON
PICTURE COMING SOON
PICTURE COMING SOON

**NEW Equipment
4 Bolts w/Washer
1958-1970 Impala

THBOLT-IMP ----- \$75 set

HOOD PIN BOLTS



**NEW Equipment - Polished Stainless Steel
4 Serrated Bolts

1958-1970 Impala

HPIP04-BLT ----- \$40 set

JOUNCE BAR BOLTS



**NEW Equipment - Polished Stainless Steel
Includes 2 Bolts

1978-1987 G Body

JBBOLT-G (Polished SS) ----- \$35



HARDWARE Cont.



BALL JOINT BOLTS



****New Equipment - Polished Stainless Steel**
Includes Bolts, Lock Washer, Nuts
1955-1970 Impala/Caprice/Bel Air
BJIPU6-BLT (Polished SS)-----\$45 Set
BJICU6-BLT (Chrome)-----\$65 Set



****New Equipment- Polished Stainless Steel**
Includes Bolts, Washer, Lock Nuts
1978-1987 G Body
1977-1996 Cadillac
1971-1996 Impala/Caprice
BJGPU8-BLT (Polished SS)-----\$50 Set
BJGCU8-BLT (Polished SS)-----\$70 Set

FENDER BOLTS



****New Equipment - Polished Stainless Steel**
1958-1964 Impala
FBLTxx-IMP(Polished SS) ----- \$Varies
\$CALL/TEXT FOR QUOTE\$

PITMAN ARM WASHER & NUT



***Original Equipment**
G Body/Cadillac/Caprice/Impala
PAWNUT-ICG-----\$40

SAFETY SUPPORT BRACKET BOLTS



****New Equipment - Polished Stainless Steel**
1978-1987 G Body
1977-1996 Cadillac
1971-1996 Impala/Caprice
SSBK4-BLT (Polished)-----\$40 Set

GEAR BOX MOUNTING BOLTS



****New (Polished SS) & *Original Equipment**
1958-1996 Impala/Caprice
1977-1996 Cadillac RWD
1978-1987 G Body
****GB5864-BLT(For Original Gearbox) - \$75**
****GBI605-BLT(For 500 or 605 Gearbox)\$75**
***GB6570-BLT (Chrome) -----\$90**
***GB7796-BLT (Chrome) -----\$90**

IDLER ARM BOLTS



***New Equipment – Polished Stainless Steel**
58-64 Impala
IA5864-SPC (Chrome Spacer) ----- \$50
IA5864-BLT ----- \$50



****New Equipment – Polished Stainless Steel**
G Body/Cadillac
IA7796-BLT (Polished) ----- \$40

TRAILING ARM BOLTS



****New Equipment - Polished Stainless Steel**
1958-1964 Impala
TAIP02-BLT(Polished SS x2) ----- \$55
TAIP04-BLT (Polished SS x4) ----- \$110



****New Equipment**
1978-1987 G Body
TAGP04-BLT (Polished SS x4) -----\$110
1977-1996 Cadillac
TASTCC-BLT (Chrome Set of 8) -- \$150

CONTROL ARM SHAFT

“Dogbone to Frame” BOLT SET



****New Equipment**
1978-1987 G Body
AA7887-BLT (Polished SS) ----- \$200

58-70 Upper Dogbone Bolts



Upper 58-70 Impala/Caprice
UDBIC4-BLT (x4 Polished SS) ----- \$80
UDBIC4-BLT (x4 Chrome Bolts) -- \$100



Lower A-Arm to Frame Bolt Set
Lower 58-64 Impala
LDBNTI4-BLT (x6 Chrome Bolts) - \$120



HARDWARE Cont.

CONTROL ARM SHAFT "Dogbone" NUT & WASHER SET



****New Equipment**

Includes Front Upper Washers & Nuts
1978-1987 G Body
1977-1996 Cadillac/Caprice/Impala
DBNWGC-SET (Polished SS) ----- \$65

DOGBONE WASHER BOLT SET



****New Equipment**

Includes Front Upper and Lower
1958-1964 Impala
DB5864-BLT (Chrome) ----- \$150
DB5870-UPR (Upper Only) ----- \$90
DB5870-LWR (Lower Only) ----- \$90

SWAYBAR BRACKET BOLTS



****New Equipment**

1958-1970 Impala/Caprice
HW5870-BKT (Polished SS) ----- \$30



****New Equipment**

1977-1996 Cadillac/Impala/Caprice
1978-1987 G Body
HW7196-BKT (Polished SS) ----- \$30

BLOWER MOTOR SCREW SET

<<<INSERT PHOTO>>>

<<<INSERT PHOTO>>>

<<<INSERT PHOTO>>>

****New Equipment**

Set Includes 5 Screws
1962-1996

Impala/Caprice/GBody/Cadillac
BM6296-BLT (Non-Chrome) ----- \$20

ALIGNMENT SHIMS

55-76 Bel Air, Impala, Caprice



CHROME
Upper A-Arm Shims

CHROME Upper A-Arm Shims



GBody/Cadillac/Caprice/Impala

****New Equipment**

Set Includes 8 Shims

1955-1976 Bel Air/Impala/Caprice
AASHMI-SET (Chrome) ----- \$50

1977-1996

GBody/Cadillac/Impala/Caprice
AASHMG-SET (Chrome) ----- \$50

DUST SHIELD BOLTS



****New Equipment**

1978-1987 GBody
1977-1996 Cadillac/Impala/Caprice
DSBOLT-SET (Polished SS) ----- \$30

KNUCKLE BOLT SET



****New Equipment**

KNP864-BLT (Polished SS) ----- \$60
KNC864-BLT (Chrome) ----- \$100

Y-BONE BOLTS



****New Equipment**

YBBOLT-SET (Polished SS) ----- \$80

STRUT ROD HARDWARE SET



****New Equipment**

Kit Includes Mounting Hardware, 4
Large Washers, 4 Large Nuts, 4
Bolts and Nuts

1965-1970 Impala/Caprice

SRHRDW-SET (Hardware Only No Bushings) ----- \$75

SRHWBS-BLK (Black Bushings & Hardware) -- \$125

SRHWBS-XXX (Color Bushings & Hardware) - \$125

PANHARD BAR BUSHINGS



****New Equipment/(CES)**

1958-1970 Impala/Caprice

PH5870-BSB (Black-1 Big & 1 Small) ----- \$50

PH5870-BSR (Red-1 Big & 1 Small) ----- \$50

PH5870-STB (Black-2 Small Tall 1 1/8") --- \$50

PH5870-STR (Red-2 Small Tall 1 1/8") ---- \$50

PH5870-SSB (Black-2 Small Short 1") ----- \$50

PH5870-SSR (Red-2 Small Short 1") ----- \$50

Mounting Hardware

PH5870-BLT (Bolts and Nuts) ----- \$40



HARDWARE Cont.

BODY MOUNT BOLT SETS

58-64 Impala Body Mount Bolt Set



CHROME

**New Equipment

Chrome Plated

BM6xHC-BLT (Hardtop) ----- \$200

BM6xCC- BLT (Convertible) ----- \$225

BODY MOUNT BOLT SETS

58 Impala Hardtop



58 Impala Convertible

59 Impala Hardtop



59/60 Impala Convertible



61-64 Convertible



Body Mount Bolt Set

61-64 Impala Hardtop



**New Equipment

Nickel Plated – Not Chrome Bolts

BM58HT-BLT (1958 Hard Top) ----- \$40

BM58CV-BLT (1958 Convertible) ----- \$50

BM59HT-BLT (1959 Hard Top) ----- \$40

BM56CV-BLT (58-60 Convertible) ----- \$50

BM6XHT-BLT (61-64 Hart Top) ----- \$40

BM6XCV-BLT (61-64 Convertible) ----- \$50

BM65CV-BLT (65-66 Convertible) ----- \$50

BM65HT-BLT (65-66 Hard Top) ----- \$40

BM67HT-BLT (67-68) ----- \$50

BM69HT-BLT (69-70) ----- \$50

BMGHDW-SET (Gbody) ----- \$125

BMCHDW-SET (Cadillac)----- \$125

BODY MOUNT BOLT SETS

78-87 GBODY



Bolts, Washers & Sleeves

**New Equipment

Nickel Plated – Not Chrome

B-BLT (1958 Hard Top) ----- \$40

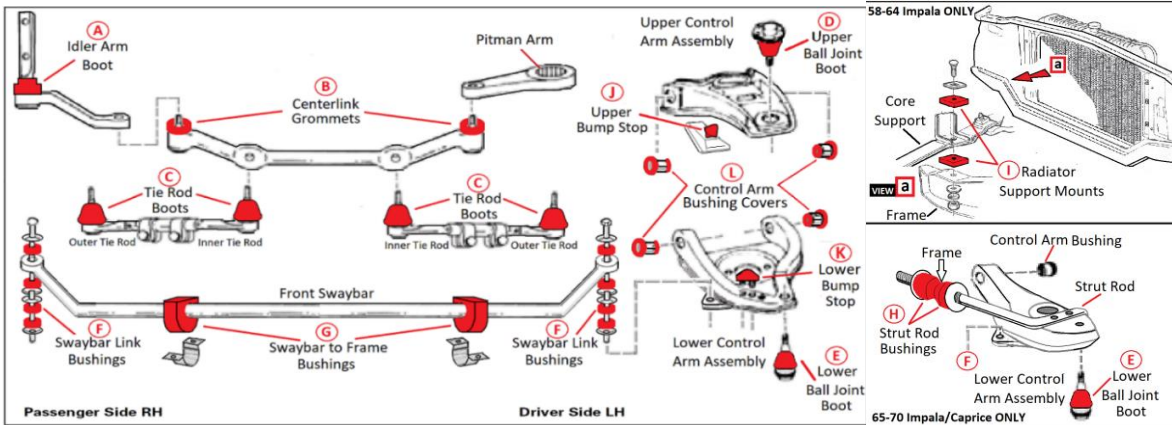
77-96 Cadillac



Bolt, Washers & Sleeves



FRONT END BOOTS AND BUSHINGS



AVAILABLE COLORS

-XXX= COLOR

-BLK (Black)

-BRN (Brown)	-GLD (Gold)
-BLU (Blue)	-NGY (Nardo Gray)
-LBL (Light Blue)	-ORG (Orange)
-DBL (Dark Blue)	-PNK (Pink)
-RED (Red)	-PPL (Purple)
-DRD (Dark Red)	-TEA (Teal)
-GRN (Green)	-WHT (White)
-DGN (Dark Green)	-YLW (Yellow)



A - Idler Arm Boot



IABT01-XXX (x1 Any Color Boot) ----- \$15

B - Centerlink Grommets



CLGMT2-XXX (x2 Any Color Grommets) \$15

C - Tie Rod Boots



TRBT04-BLK (x4 Black Boots) ----- \$20

TRBT04-XXX (x4 Color Boots) ----- \$50

D - Upper Ball Joint Boots

E - Lower Ball Joint Boots



BJBTU2-XXX (x2 Upper Any Color Boots) - \$25

BJBTL2-XXX (x2 Lower Any Color Boots) - \$25

F - Swaybar Link Bushings



LKBUSH-BLK (x8 Black Bushings) ----- \$20

LKBUSH-XXX (x8 Bushings) ----- \$40

G - Swaybar to Frame Bushings



SBBU17-XXX (55-64 BelAir/Impala x2) - \$30

SBBU30-XXX (Gbody/Cadi x2) ----- \$30

H - Strut Rod Bushings



**Includes Ferrules and Grease

65-70 Impala/Caprice ONLY

SRBUSH-XXX (x4 Any Color Bushings) -- \$50

I - Radiator Mount Bushings



58-64 Impala ONLY

RMBUSH-XXX (x4 Any Color) ----- \$40

J - Upper Bump Stops



58-64 Impala ONLY

BSFUIC-XXX (Pair) ----- \$50

K - Lower Bump Stops



58-64 Impala ONLY

BSFLIM-XXX (Pair) ----- \$60



65-70 Impala/Caprice ONLY

BSFLIC-XXX (Pair) ----- \$60

L - Bushing Covers

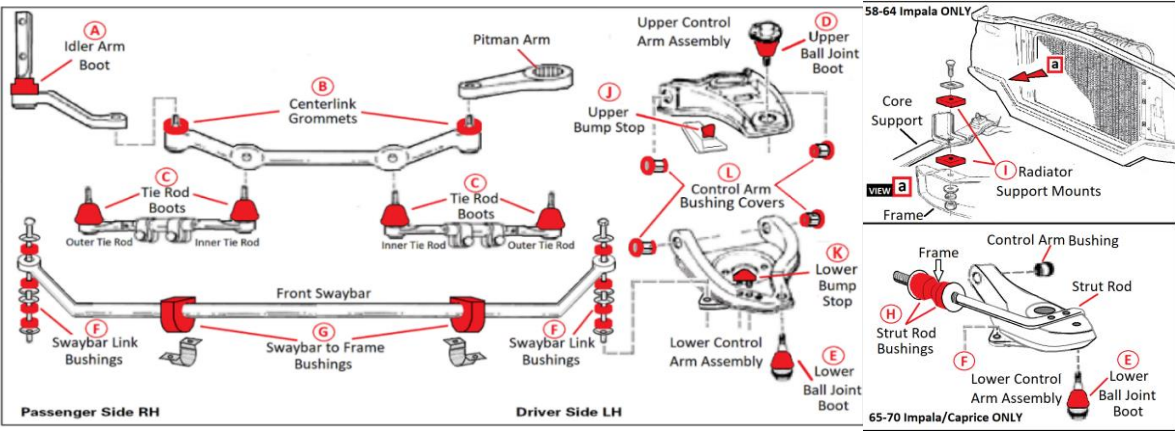


55-64 Impala ONLY

BCIUXX-XXX (Set will do 4 bushings) --- \$60



FRONT END BOOT AND BUSHING SETS



AVAILABLE COLORS

-XXX= COLOR

-BLK (Black)

-BRN (Brown)	-GLD (Gold)
-BLU (Blue)	-NGY (Nardo Gray)
-LBL (Light Blue)	-ORG (Orange)
-DBL (Dark Blue)	-PNK (Pink)
-RED (Red)	-PPL (Purple)
-DRD (Dark Red)	-TEA (Teal)
-GRN (Green)	-WHT (White)
-DGN (Dark Green)	-YLW (Yellow)

FRONT END BOOT & BUSHINGS

58-64 Impala

Boots: Tie Rods, Idler Arm, Ball Joints
 Bushings: Centerlink Grommets, Links
 17mm Swaybar to Frame &
 Radiator Mount (Core Support)

BTSTIM-XXX (58-64) ----- \$220



65-70 Impala

Boots: Tie Rods, Idler Arm, Ball Joints
 Bushings: Centerlink Grommets, Links
 17mm Swaybar to Frame & Strut Rods

BTSTIC-XXX (65-70) ----- \$220



Gbody/Cadillac

71-96 Impala/Caprice

Boots: Tie Rods, Idler Arm, Ball Joints
 Bushings: Centerlink Grommets, Links,
 30mm Swaybar to Frame

BTSTGC-XXX ----- \$200



A-ARM BUSHING COVERS

Set Includes covers for 4 Bushings
 *A-Arms and Bushings sold separately

***Orange Bushings**



Orange Bushing Covers

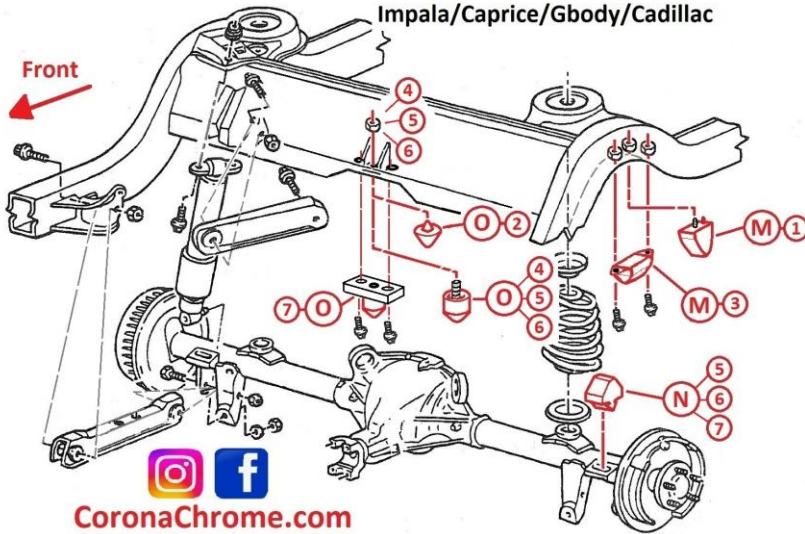


- BCVIMU-XXX (Upper 55-70 Impala) - \$60
- BCVIML-XXX (Lower 58-64 Impala) - \$60
- BCVICL-XXX (Lower 65-70 Impala) --- \$60
- BCVVCU-XXX (GBody/Cadillac)----- \$60
- BCVVCCL-XXX (GBody/Cadillac)----- \$60



REAR END BUSHINGS

Rear Suspension Bump Stops Impala/Caprice/Gbody/Cadillac



Instagram Facebook
CoronaChrome.com



- Designed to Manufacturer Specification
- For custom applications (hydraulics, air bags, etc...) trim as needed.

- (M)** Rear Frame Bump Stop
- (N)** Rear Axle Bump Stop
- (O)** Rear Axle Center Pinion Bumper
- 1** Fits 58-64 Impala
- 2** Fits 65-66 Impala/Caprice
- 3** Fits 65-70 Impala/Caprice
- 4** Fits 68-70 Impala/Caprice
- 5** Fits 71-76 Impala/Caprice
- 6** Fits Cadillac
- 7** Fits GBody

REAR PINION SNUBBER



65-66 Impala/Caprice
Pinion Snubber

65-70 Impala/Caprice

RPSNBC-XXX (O3) ----- \$30



78-87 GBody

RPSNBG-XXX (O7) ----- \$60

77-96 Cadillac/Impala/Caprice

RPSNBC-XXX (O4,O5,O6) ----- \$60

REAR AXLE BUMP STOPS



Rear Axle Bump Stops

78-87 GBody

71-96 Cadillac/Impala/Caprice

RABSGC-XXX (N5, N6, N7) ----- \$70

REAR FRAME BUMP STOPS



58-64 Impala

58-64 Impala

RFBSIM-XXX (M1) ----- \$80



65-70 Impala/Caprice

RFBSIC-XXX (M3) ----- \$70

Y-BONE BUSHINGS

Includes 6 Halves (3 Bushings)
Bolts sold separately
Diameter = 1.50"

YBB150-XXX- ----- \$80

Diameter = 1.75"

YBB175-XXX- ----- \$80



Y-Bone Bushings

Part# YBBUSH-xxx



SMALL

1.50"

LARGE

1.75"



Y-Bone Bushings

Part# YBBUSH-XXX



Y-Bone Bushings

Part# YBBUSH-xxx



BODY MOUNT BUSHING SETS

ALL BODY MOUNT BUSHINGS CAN BE SOLD SEPARATELY

55-57 Bel Air

Includes Ferrules

BMTR15-XXX (55-56) ----- \$250

58-64 Impala

Includes Ferrules

BM5xHT-XXX (58-60 Hardtop) ----- \$240

BM5xCV-XXX (58-60 Convertible) - \$250

BM6XCVC-XXX (61-64 Convertible)- \$240

BM6XHT-XXX (60-64 Hardtop) ----- \$220

Bolt Details on Pg 26

Add Hardware (Bolts and Washers)-\$50

65-70 Impala

Includes Ferrules

BM65HT-XXX (65-66 Hardtop) ----- \$250

BM67HT-XXX (67-68 Hardtop) ----- \$250

BM69HT-XXX (69-70 Hardtop)----- \$250

Bolt Details on Pg 26

Add Hardware (Bolts and Washers)-\$50

AVAILABLE COLORS

-XXX= COLOR

-BLK (Black)	
-BRN (Brown)	-GLD (Gold)
-BLU (Blue)	-NGY (Nardo Gray)
-LBL (Light Blue)	-ORG (Orange)
-DBL (Dark Blue)	-PNK (Pink)
-RED (Red)	-PPL (Purple)
-DRD (Dark Red)	-TEA (Teal)
-GRN (Green)	-WHT (White)
-DGN(Dark Green)	-YLW (Yellow)





BODY MOUNT BUSHING SETS

ALL BODY MOUNT BUSHINGS CAN BE SOLD SEPARATELY

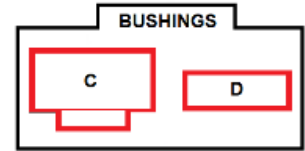
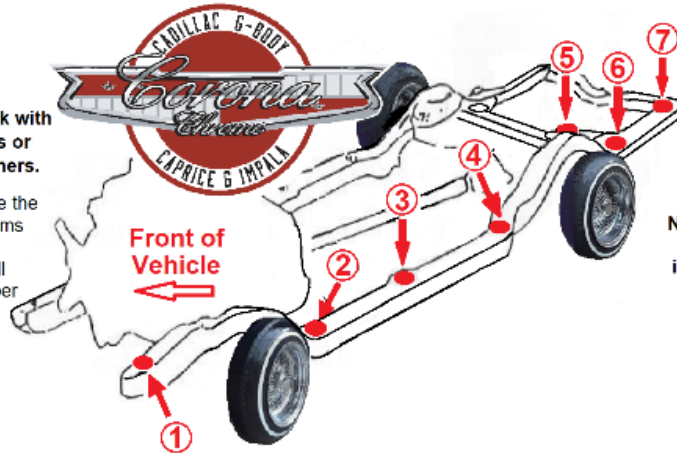
REMOVAL

Spray all nuts to be removed with rust removal lubricant.

Bushings are designed to work with original body mount sleeves or aftermarket sleeves and washers.

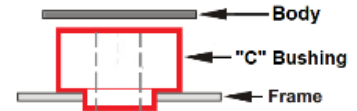
Note: When disassembling, note the quantity and positions of any shims that may have been inserted for body alignment. These shims will have to be reused to insure proper body alignment.

Installation: Only raise body high enough to remove and replace mounts. Install mounts one side at a time with bolts on opposite side loosened only.

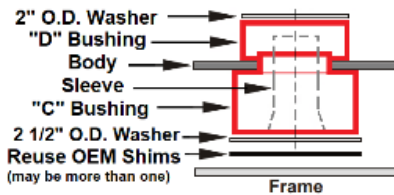


POSITION # 5

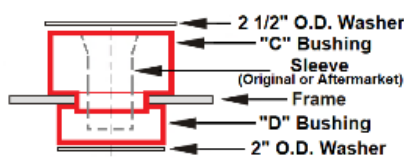
Note: Some vehicles did not come with this bushing. It's located in a hole in front of the upper rear spring perch. No sleeves, bolts or washers are used in this location.



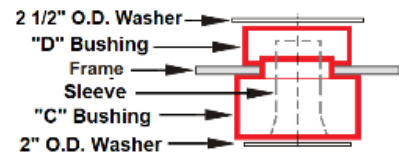
POSITION # 1



POSITION #2, 4, 6 & 7



POSITION # 3



AVAILABLE COLORS

-XXX= COLOR

-BLK (Black)	-BRN (Brown)	-BLU (Blue)	-LBL (Light Blue)	-DBL (Dark Blue/Purplish)	-ORG (Orange)
-RED (Red)	-DRD (Dark Red)	-GRN (Green)	-DGN (Dark Green)	-GLD (Gold)	-NGY (Nardo Gray)
-PNK (Pink)	-PPL (Purple)	-TEA (Teal)	-WHT (White)	-YLW (Yellow)	

71-76 Impala/Caprice

- BMBS7x-XXX (Impala/Caprice) ---- \$300
- BMGxx-SLV (Sleeves & Washers) ---- \$50
- BMGxx-WSH (Sleeves & Washers) ---\$40
- BMBSHG-BLT (Bolts) ----- \$40



78-87 GBody

- BMBSHG-XXX (Gbody) ----- \$280
- BMGxx-SLV (Sleeves & Washers) ----\$50
- BMGxx-WSH (Sleeves & Washers) ---\$40
- BMBSHG-BLT (Bolts) ----- \$40



77-96 Cadillac/Caprice

- BMBSHC-XXX (Cadillac/Caprice) --- \$300
- BMGxx-SLV (Sleeves & Washers) ---- \$50
- BMGxx-WSH (Sleeves & Washers) ---\$40
- BMBSHG-BLT (Bolts) ----- \$40



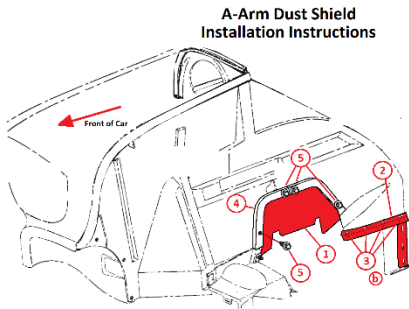


A-Arm Dust Shields and Seals

AVAILABLE COLORS = -XXX

-BLK (Black)	-BRN (Brown)	-BLU (Blue)	-LBL (Light Blue)	-DBL (Dark Blue/Purplish)	-ORG (Orange)
-RED (Red)	-DRD (Dark Red)	-GRN (Green)	-DGN (Dark Green)	-GLD (Gold)	-NGY (Nardo Gray)
-PNK (Pink)	-PPL (Purple)	-TEA (Teal)	-WHT (White)	-YLW (Yellow)	

55-57 Bel Air A-Arm Dust Shields



Dust Shields

DS5556-XXX (55-56 w/o Retainers) \$100
 DS1957-XXX (1957 w/o retainers) - \$100

Lower Frame Seals

LWRFSI- (Pair w/staples) ----- \$50

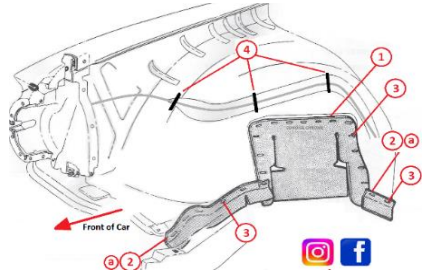
A-Arm Dust Shield Retainers

55-56 Includes SS Staples
 57 Includes Chrome Bolts

DS5556-RTR (Chrome Frame) ----- \$125
 DS1957-RTR (Chrome Retainer) --- \$125

58-96 Impala/Caprice

A-Arm Dust Shields



1 & 2- 58-96 Impala/Caprice

Includes Frame Seals

- DSIM58-XXX (1958) ----- \$150
- DSIM59-XXX (1959) ----- \$150
- DSIM60-XXX (1960) ----- \$150
- DSIM61-XXX (1961) ----- \$150
- DS6264-XXX (1962-64) ----- \$150
- DSIM65-XXX (1965) ----- \$150
- DSIM66-XXX (1966) ----- \$150
- DS6768-XXX (1967-68) ----- \$150
- DS6870-XXX (1969-70) ----- \$150
- DS8296-XXX (1982-96) ----- \$150

Dust Shield Staples



3 - 58-96 Impala/Caprice Staples

DSSTPL-SS (Stainless Steel) ----- \$5
 DSSTPL-XXX (Colors) ----- \$25

WIRE HARNESS STRAPS



Set Includes 6 straps

WHST06-XXX ----- \$60

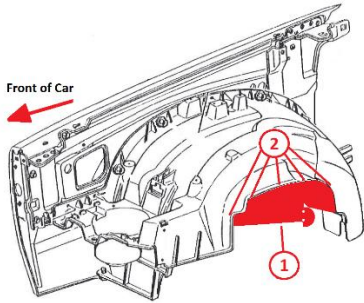


A-Arm Dust Shields and Seals

AVAILABLE COLORS = -XXX

-BLK (Black)	-BRN (Brown)	-BLU (Blue)	-LBL (Light Blue)	-DBL (Dark Blue/Purplish)	-ORG (Orange)
-RED (Red)	-DRD (Dark Red)	-GRN (Green)	-DGN (Dark Green)	-GLD (Gold)	-NGY (Nardo Gray)
-PNK (Pink)	-PPL (Purple)	-TEA (Teal)	-WHT (White)	-YLW (Yellow)	

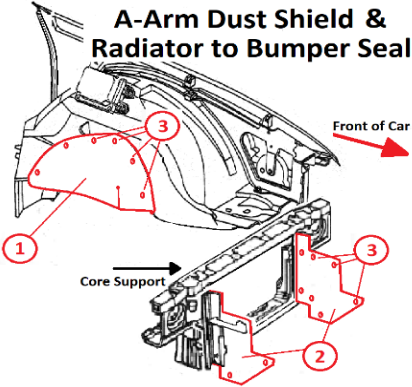
Gbody A-Arm Dust Shields



81-88 GBody

DS7792-XXX (A-Arm Dust Shield) -- \$100

RS8296-XXX (A-Arm Dust Shield) -- \$100



82-96 B Body

93-96 Cadillac
91-96 Caprice
94-96 Impala



77-92 Cadillac

DS7792-XXX (A-Arm Dust Shield) -- \$120

RS8296-XXX (A-Arm Dust Shield) -- \$120

93-96 Cadillac Fleetwood

DS9396-XXX (A-Arm Dust Shield) -- \$100

RS9396-XXX (Radiator Seal) ----- \$100

Plastic Push Retainers

DSPRTR-XXX (Clear) ----- \$10

DSPRTR-CRM (Painted Chrome) ----- \$20



Push In Retainers

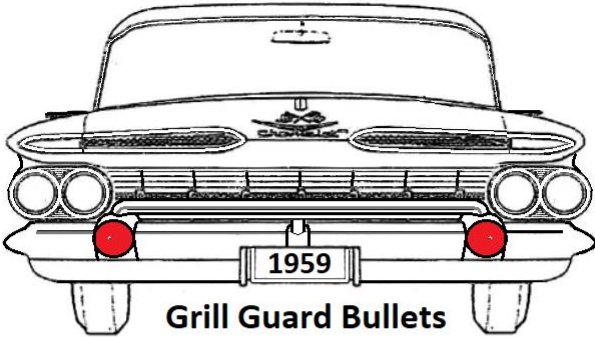




Grill Guard Bullets

AVAILABLE COLORS = -XXX

-BLK (Black)	-BRN (Brown)	-BLU (Blue)	-LBL (Light Blue)	-DBL (Dark Blue/Purplish)	-ORG (Orange)
-RED (Red)	-DRD (Dark Red)	-GRN (Green)	-DGN (Dark Green)	-GLD (Gold)	-NGY (Nardo Gray)
-PNK (Pink)	-PPL (Purple)	-TEA (Teal)	-WHT (White)	-YLW (Yellow)	



Grill Guard Bullets

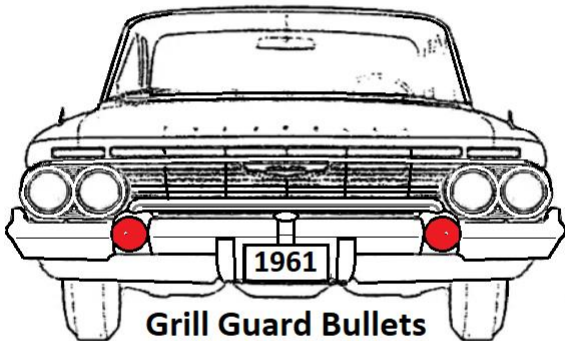


1959 Impala

Grill Guard Bullets

Includes Nut and Locking Washer

GGB59I-XXX (Impala) ----- \$100



Grill Guard Bullets

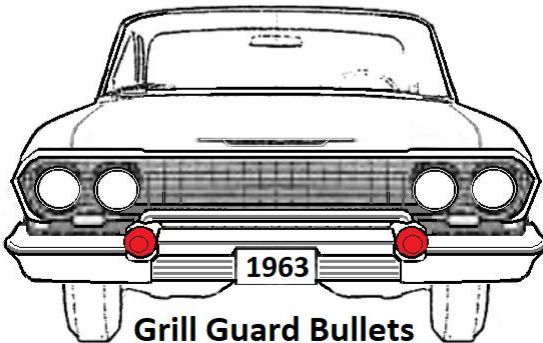


1961 Impala

Grill Guard Bullets

Includes Nut and Locking Washer

GGB61I-XXX (Impala) ----- \$100



Grill Guard Bullets



1963 Impala

Includes Nut and Locking Washer

GGB63I-XXX (Impala) ----- \$100



2024 v1