



2024

Corona Chrome G-Body Catalog



PRICES ARE SUBJECT TO CHANGE

2023 v1

CORONACHROME.com 619-251-9089   @coronachrome

How to read this catalog.

Due to the potential age of some items, original equipment and new equipment items are designated with one or two asterisks below the photo of the category.

* = Original Equipment

** = New Equipment

Certain items qualify for an optional core exchange. Core value is deducted from total cost when received. If you see this symbol inquire to receive a core exchange discount value.

{CE\$} = Qualifies for Core Exchange

Don't see something you're looking for? Contact us with questions/comments.

Call or Text 619-251-9089

Email: sixonebubble@gmail.com

Gift Cards Available



Corona Chrome Gift Cards - Any denomination \$25 minimum. Contact us today to purchase your gift certificate today.

Pricing

Every attempt is made to keep our prices as close to the current catalog list price as possible. However, because of price fluctuations from our suppliers, equipment sourcing and volume buying, the price of some items may increase or decrease accordingly.

Returns

Before returning any part(s), a return authorization number is required. Returns without an RA number will delay the credit or exchange and in some cases, they will be returned to you. Some items are not returnable depending on application and condition of item(s). However, we may consider purchasing

them from you depending on condition and application. All returns are subject to up to a 20% restocking fee. Shipping is subjective on each individual issue.

TABLE OF CONTENTS

STEERING LINKAGE & COMPONENTS -- 1-2

SUSPENSION ----- 3-5

HOOD HINGES & WIPERS ----- 6

ENGINE COMPARTMENT ----- 7

UNDERBELLY CHROME ----- 8

BRAKE DRUMS & COMPONENTS ----- 9

HARDWARE ----- 10-11

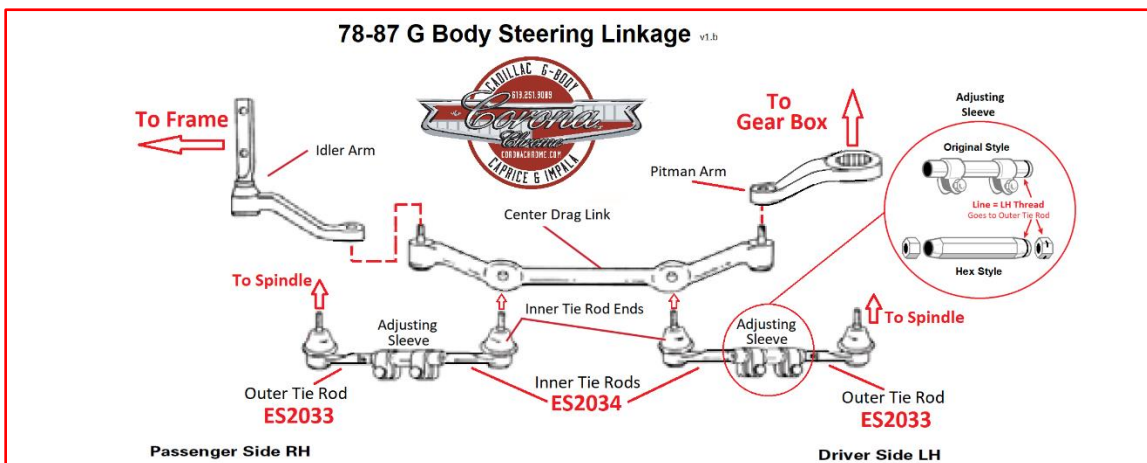
BUSHING AND BOOT SETS ----- 12-13

BODY MOUNT BUSHING SETS ----- 14

DUST SHIELDS AND SEALS ----- 31-32

ALL PRICES SUBJECT TO CHANGE WITHOUT NOTICE. ANY INSTALLED PART IS NOT RETURNABLE

STEERING LINKAGE AND COMPONENTS



1978-1988 G Body

- 1978-1987 Buick Regal
- 1978-1988 Oldsmobile Cutlass
- 1978-1988 Chevy El Camino
- 1978-1983 Chevy Malibu



****New-In-Box Equipment**

PITMAN ARM SOLD SEPARATELY

Includes Centerlink, Idler Arm, Inner & Outer Tie Rods w/Sleeves, Black Boots Zerk, Nuts & Cotter Pins

- **SL7887-SET (Set) ----- \$600**
- Add Color Boots ----- \$50 Extra**
- Add HEX Sleeves (Billet) ----- \$50 Extra**
- Heavy Duty Centerlink ----- \$75 Extra**
- Heavy Duty Tie Rods ----- \$100 Extra**
- Heavy Duty Idler Arm ----- \$50 Extra**

****Individual Components**

- CL7887-G (Center Link) ----- \$200**
- CL7887-HDG (Center Link) ----- \$275**
- IA7796-ICG (Idler Arm) ----- \$150**
- TR7887-G (x4 Tie Rods) ----- \$300**
- AS7887-G (Adj. Sleeves) ----- \$125 pr**
- AS7887-HEX (HEX. Sleeves) -- \$125 pr**
- *PA7887-G (Pitman Arm) ----- \$150**

**AVAILABLE BOOT COLORS
-XXX= COLOR**

-BLK (Black)	-NGY (Nardo Gray)
BRN (Brown)	RED (Red)
-LBL (Light Blue)	-DRD (Dark Red)
-BLU (Blue)	-LGN (Light Green)
-DBL (Dark Blue)	-GRN (Green)
-ORG (Orange)	-DGN (Dark Green)
-PPL (Purple)	-PNK (Pink)
-TEA (Teal)	-YLW (Yellow)
-WHT (White)	-GLD (Gold)

TIE ROD DUST BOOTS



Universal Color Boots

TIE ROD SETS



****New Equipment**



1978-1987 G Body



****New Equipment**

TR7887-XXX (Tie Rods w/Sleeves) - \$350
OPTIONS

- Add Color Boots ----- \$50 Extra**
- Add HEX Sleeves (Billet) ----- \$50 Extra**
- Heavy Duty Tie Rods ----- \$100 Extra**



STEERING LINKAGE COMPONENTS

IDLER ARM ADAPTER



**New Equipment

1978-1987 G Body

IA7796-ICG-----\$150

IA7796-HD (Heavy Duty) ----- \$200

ADD \$15 for Color Boot



*Original Equipment

1978-1987 G Body

*PA7887-G ----- \$150

1977-1996 Cadillac/Caprice

*PA7796-ICC ----- \$175

PITMAN ARM WASHER & NUT



*Original Equipment

G Body/Cadillac/Caprice/Impala

PAWNUT-ICG-----\$40

CENTERLINK



**New Equipment

WITHOUT Damper Shock Mounting Hole

1978-1987 G Body

CL7887-G ----- \$220

COUPLER (RAG JOINT)



**New-In-Box Equipment

Photo shows front and back

Includes Coupler and Hardware.

1978-1987 G Body

RJ205-26 3/4" 26 Spline 3 1/4" OD-\$100

LOWER INTERMEDIATE STEERING SHAFT



*Original Equipment/{CE\$}

Includes Rag Joint and New Boot

1978-1987 G Body

SS7887-G-----\$300

1977-1996 Cadillac RWD

SS7796-CAD-----\$350

LOWER INTERMEDIATE STEERING SHAFT

Jeep Upgrade for G Body



*Original Equipment/{CE\$}

1978-1987 G Body

SS7887-JUG(Eliminates Rag Joint) - \$350

GEAR BOX MOUNTING BOLTS



**New & *Original Equipment

1978-1987 G Body

*GB7796-BLT (Chrome) -----\$90



SUSPENSION

FRONT SWAYBAR



*Original Equipment/{CE\$}
1978-1987 G Body

SB7887-FRT-----\$400

REAR SWAYBAR



*Original Equipment/{CE\$}
1978-1987 G Body

SB7887-R-----\$350

FRONT SWAYBAR BRACKETS

*New & **Original Equipment/{CE\$}



*New & **Original Equipment/{CE\$}
1978-1987 G Body

SB7796-BKT (Brackets Only) ----- \$100

SBBU30-XXX(Color Bushings ONLY)- \$30

HW7196-BKT (x4 Polished SS Bolts) -\$30

UPPER CONTROL ARM SHAFTS

"Dogbones"



**New Equipment

Includes Control Shafts, Bushings,
Washers and Nuts
1978-1987 G Body

**DB7887-G ----- \$325pr

**DB7887-HDG (Heavy Duty)--- \$400pr

**DB7887-OSG (Off Set + Camber)\$350pr

SPINDLES



*Original Equipment/{CE\$}
1978-1987 G Body

*SPIN78-87G ----- \$600pr

REAR SHOCKS



Impala
Caprice
Cadillac
Gbody

Cadillac/Gbody
Hardware

REAR SHOCKS

Standard
Extended

*New Equipment

1978-1987 G Body

RSHKG-STD (Stock Length) ----- \$300

RSHKGC-EXT (Extended Length) -- \$350

JOUNCE BARS



*Original Equipment/{CE\$}
1978-1987 G Body

JB7887-G-----\$250

JB7887-BLT (Mounting Bolts) ----- \$35

SWAYBAR LINKS



**New Equipment

Includes Bolts, washers, bushings and sleeves

1978-1987 G Body

LK5254-BLK (Black)-----\$80

LK5254-XXX (Color)-----\$95

AVAILABLE BUSHING COLORS

-XXX= COLOR

-BLK (Black)	-NGY (Nardo Gray)
-BRN (Brown)	-RED (Red)
-LBL (Light Blue)	-DRD (Dark Red)
-BLU (Blue)	-LGN(Light Green)
-DBL (Dark Blue)	-GRN (Green)
-ORG (Orange)	-DGN(Dark Green)
-PPL (Purple)	-PNK (Pink)
-TEA (Teal)	-YLW (Yellow)
-WHT (White)	-GLD (Gold)





SUSPENSION Cont.

ALL BALL JOINTS are NEW EQUIPMENT and INCLUDE: Ball Joints, Dust Boots, Hardware, Zerk Fittings & Cotter Pins

STANDARD DUTY

4 BOLT UPPER BALL JOINTS



1978-1987 G Body

AVAILABLE BOOT COLORS

-XXX= COLOR

-BLK (Black)

BRN (Brown)	RED (Red)
-LBL (Light Blue)	-DRD (Dark Red)
-BLU (Blue)	-LGN(Light Green)
-DBL (Dark Blue)	-GRN (Green)
-ORG (Orange)	-DGN(Dark Green)
-PPL (Purple)	-PNK (Pink)
-TEA (Teal)	-YLW (Yellow)
-WHT (White)	-GLD (Gold)

BJ5208-BLK (Black) ----- \$175
BJ5208-XXX (Includes Color Boots)-\$200

HEAVY DUTY (UNBREAKABLE)

4 BOLT UPPER BALL JOINTS



1978-1987 G Body

AVAILABLE BOOT COLORS

-XXX= COLOR

-BLK (Black)

BRN (Brown)	RED (Red)
-LBL (Light Blue)	-DRD (Dark Red)
-BLU (Blue)	-LGN(Light Green)
-DBL (Dark Blue)	-GRN (Green)
-ORG (Orange)	-DGN(Dark Green)
-PPL (Purple)	-PNK (Pink)
-TEA (Teal)	-YLW (Yellow)
-WHT (White)	-GLD (Gold)

HD5208-BLK (Black) ----- \$225
HD5208-XXX (Includes Color Boots)- \$250

LOWER BALL JOINTS

Standard and Heavy Duty



1978-1987 G Body

AVAILABLE BOOT COLORS

-XXX= COLOR

-BLK (Black)

-NGY (Nardo Gray)

BRN (Brown)	RED (Red)
-LBL (Light Blue)	-DRD (Dark Red)
-BLU (Blue)	-LGN(Light Green)
-DBL (Dark Blue)	-GRN (Green)
-ORG (Orange)	-DGN(Dark Green)
-PPL (Purple)	-PNK (Pink)
-TEA (Teal)	-YLW (Yellow)
-WHT (White)	-GLD (Gold)

BJ6145-BLK (Black) ----- \$175
BJ6145-XXX (Includes Color Boots)- \$200
HD6145-BLK (Heavy Duty Black) -- \$225
HD6145-XXX (Heavy Duty Color) --- \$250



SUSPENSION Cont.

CONTROL ARM BUSHINGS



**New Equipment

CONTROL ARM BUSHINGS



1980-1996 Cadillac/Impala/Caprice
BK6198-FUC (Front Upr Set of 4)-\$100



1978-1987 G Body
BK6176-FUG (Front Upr Set of 4) \$100
BK6177-FLG (Front Lwr Set of 4) -\$100
BK6178-RUL (Rear Uppers or Lower
Set of 4) ----- \$100

1978-1987 G-Body



****New Equipment**
BK7887-FRD (Front Set of 8 GBody)\$250

1978-1987 G-Body



BK7887-RRD (Rear Set of 8) ----- \$250



HOOD HINGES & WIPERS

1978-1988 G BODY



*Original Equipment/{CE\$}

Includes Hinges and Snail Springs

1978-1988 G Body

HH7887-GSS (With Snail Spring)--\$400

1981-1988 Monte Carlo

HH8188-MC (With Snail Spring)--\$450

1978-1988 G BODY



*Original Equipment/{CE\$}

Includes Hinges Only

Hood Shock sold Separately

HH7887-GNS (No Snail Spring)---\$300

HOOD LIFT SUPPORTS



**New Equipment

1978-1988 G Body

HS7887-G-----\$150

WIPER ARMS



**Original Equipment/{CE\$}

1978-1987 G Body

WA7887-G-----\$175



ENGINE COMPARTMENT

HOOD LATCH SET



*Original Equipment/{CE\$}
Includes Hood Latch, Hook and Spring
1978-1987 G Body
HL7887-G-----\$300

TRUNK LATCH



*Original Equipment/{CE\$}
1978-1987 G Body
TL7887-G-----\$120

RADIATOR COVER



*Original Equipment/{CE\$}
1978-1987 G Body
RC7887-G-----\$300

RADIATOR SUPPORT RODS



*Original Equipment
Includes 2 Rods and 4 Bolts
1978-1987 G Body
RR7887-G-----\$150

FENDER BRACES



*Original Equipment
1978-1987 G Body
FB7887-G-----\$120

AIR CLEANERS



*Original Equipment/{CE\$}
1978-1987 G Body
AC7887-GV6-----\$330
AC7887-GV8-----\$350

AC ACCUMULATOR TANK



**New & Original Equipment/{CE\$}
1978-1987 G Body
DC7887-----\$150

AC BLOWER MOTOR



**New Equipment
1973-1987 Regal/Cutlass
BM102-ICG (w/o AC)-----\$175



**New Equipment
1978-1987 G Body
BM105-ICG (with AC)-----\$175



UNDERBELLY CHROME

GAS TANK COVERS



**New Equipment

1978-1987 G Body

GT7887-G (Non El Camino) -----\$550

GT7887-EC (El Camino)-----\$500

SPARE TIRE COVER



*Original Equipment

1978-1987 G Body

SP7887-CVR-----\$500

G-Body Cadillac



**New Equipment

1978-1987 G Body

ST7887-G -----\$175

ST7887-ELC -----\$175

DIFFERENTIAL COVERS



*Original & New (w/Gasket) Equipment

1978-1987 G Body

DCGC7-5NP (w/7.50" or 7.625") - \$100

GSKT10-7 (w/7.50" or 7.625") ----- \$15



*Original Equipment

Includes 4 Bolts & Washers

1978-1987 G Body

DS7887-SAF (With Out Bolts) --- \$150

Bolts Also Sold Separately See Pg 23

DRIVE SHAFT



*Original Equipment

1978-1978 G Body

DS7887-G-----\$350

U-JOINT STRAPS



**New Equipment

55-57 Bel Air

58-70 Impala/Caprice

77-96 Cadillac

78-87 G-Body

US5596-ICG-----\$60

CROSSMEMBER



*Original Equipment

1978-1987 G Body

CM7887-GV6-----\$450

CM7887-GV8-----\$450



BRAKE DRUMS & COMPONENTS

REAR DRUMS



**New Equipment

1978-1987 G Body

RD8839-GFN-(9.5" w/ Fins)-----\$350

RD8839-GSM-(9.5" Smooth)-----\$400

FRONT DUST SHIELDS



**New Equipment/{CE\$}

1978-1987 G Body

FP7887-G-----\$250

REAR BACKING PLATES



**New & *Original Equipment/{CE\$}

1978-1987 G Body

BP7887-GOE (Original Equip) -- \$200

BP7887-GNE (New Equip) ----- \$250

BRAKE CALIPERS



**New Equipment

1978-1987 G Body

BC7887-G-----\$325



HARDWARE



CASTLE NUTS



*Original Equipment
Includes 2 Castle Nuts

- CSTL02-716 (7/16-20 Fine) ----- \$20 pr
- CSTL02-012 (1/2-20 Fine) ----- \$20 pr
- CSTL02-916 (9/16-18 Fine) ----- \$25 pr
- CSTL02-M10 (M10x1.25) ----- \$25 pr
- CSTL02-M12 (M12x1.25) ----- \$25 pr

FENDER TOP BOLT



*Original Equipment
Includes 2 Bolts
1978-1987 G Body

TFBOLT-G (Chrome)-----\$50 pr

WHEEL WELL BOLTS & WASHERS



**New Equipment
Includes Polished Stainless Steel Bolts
with 2" Washers
1978-1987 G Body

- WWBLT2-CGP (Polished Qty 2)-\$40 pr
- WWBLT4-CGP (Polished Qty 4)-\$75 set

DOOR STRIKERS



*Original Equipment
Includes 2 Bolts and 2 Washers
1978-1987 G Body

DSBOLT-ICG-----\$50 pr

HOOD HINGE BOLTS



*Original Equipment
13mm Hex Head Bolt w/Washer

1978-1987 G Body

- HHBOLT-G02 (Qty 2) ----- \$20 pr
- HHBOLT-G05 (Qty 5) ----- \$40 set
- HHBOLT-G10 (Qty 10) ----- \$75 set

JOUNCE BAR BOLTS



**NEW Equipment - Polished Stainless Steel
Includes 2 Bolts
1978-1987 G Body

JBBOLT-G (Polished SS) ----- \$35

BALL JOINT BOLTS



**New Equipment- Polished Stainless Steel
Includes Bolts, Washer, Lock Nuts
1978-1987 G Body

BJGPU8-BLT (Polished SS)-----\$50 Set

PITMAN ARM WASHER & NUT



*Original Equipment
G Body/Cadillac/Caprice/Impala
PAWNUT-ICG-----\$40

SAFETY SUPPORT BRACKET BOLTS



**New Equipment - Polished Stainless Steel
1978-1987 G Body

SSBK4-BLT (Polished)-----\$40 Set

GEAR BOX MOUNTING BOLTS



**New (Polished SS) & *Original Equipment
1978-1987 G Body

*GB7796-BLT (Chrome) -----\$90

IDLER ARM BOLTS



**New Equipment – Polished Stainless Steel
G Body/Cadillac

IA7796-BLT (Polished) ----- \$40

TRAILING ARM BOLTS



**New Equipment

1978-1987 G Body

TAGP04-BLT (Polished SS x4) -----\$110

CONTROL ARM SHAFT

“Dogbone to Frame” BOLT SET



**New Equipment

1978-1987 G Body

AA7887-BLT (Polished SS) -----\$200

DUST SHIELD BOLTS



**New Equipment

1978-1987 GBody

1977-1996 Cadillac/Impala/Caprice

DSBOLT-SET (Polished SS) ----- \$30



HARDWARE Cont.

CONTROL ARM SHAFT "Dogbone" NUT & WASHER SET



*New Equipment

Includes Front Upper Washers & Nuts
1978-1987 G Body
1977-1996 Cadillac/Caprice/Impala
DBNWGC-SET (Polished SS) ----- \$65

SWAYBAR BRACKET BOLTS



**New Equipment

1978-1987 G Body
HW7196-BKT (Polished SS) ----- \$30

BLOWER MOTOR SCREW SET

<<<INSERT PHOTO>>>

<<<INSERT PHOTO>>>

<<<INSERT PHOTO>>>

**New Equipment

Set Includes 5 Screws

1962-1996

Impala/Caprice/GBody/Cadillac

BM6296-BLT (Non-Chrome) ----- \$20

ALIGNMENT SHIMS



**New Equipment

Set Includes 8 Shims

1955-1976 Bel Air/Impala/Caprice
AASHMI-SET (Chrome) ----- \$50

1977-1996

GBody/Cadillac/Impala/Caprice
AASHMG-SET (Chrome) ----- \$50

BODY MOUNT BOLT SETS

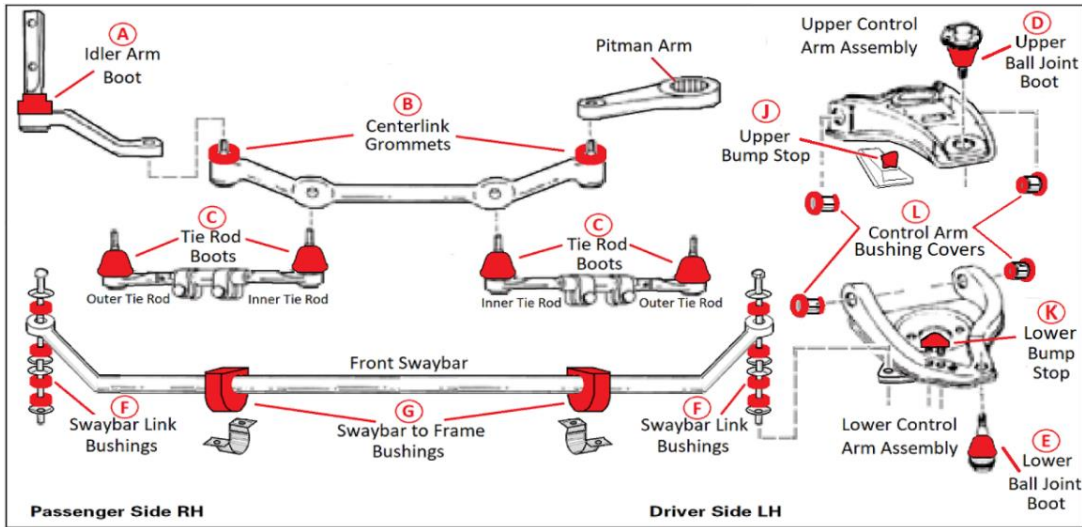


**New Equipment

Nickel Plated – Not Chrome Bolts
BMGHDW-SET (Gbody) ----- \$125



FRONT BOOTS AND BUSHINGS



AVAILABLE COLORS
-XXX= COLOR

-BLK (Black)	-NGY (Nardo Gray)
-BRN (Brown)	-GLD (Gold)
-BLU (Blue)	-NGY (Nardo Gray)
-LBL (Light Blue)	-ORG (Orange)
-DBL (Dark Blue)	-PNK (Pink)
-RED (Red)	-PPL (Purple)
-DRD (Dark Red)	-TEA (Teal)
-GRN (Green)	-WHT (White)
-DGN(Dark Green)	-YLW (Yellow)

A - Idler Arm Boot



IABT01-XXX (x1 Any Color Boot) ----- \$15

B – Centerlink Grommets



CLGMT2-XXX (x2 Any Color Grommets) \$15

C – Tie Rod Boots



TRBT04-BLK (x4 Black Boots) ----- \$20
TRBT04-XXX (x4 Color Boots) ----- \$50

D - Upper Ball Joint Boots

E - Lower Ball Joint Boots



BJBTU2-XXX (x2 Upper Any Color Boots)- \$25
BJBTL2-XXX (x2 Lower Any Color Boots) - \$25

F – Swaybar Link Bushings



LKBUSH-BLK (x8 Black Bushings) ----- \$20
LKBUSH-XXX (x8 Bushings) ----- \$40

G –Swaybar to Frame Bushings



SBBU17-XXX (55-64 BelAir/Impala x2) - \$30
SBBU30-XXX (Gbody/Cadi x2) ----- \$30

L – Bushing Covers

***Orange Bushings**



Orange Bushing Covers

78-87 Gbody ONLY

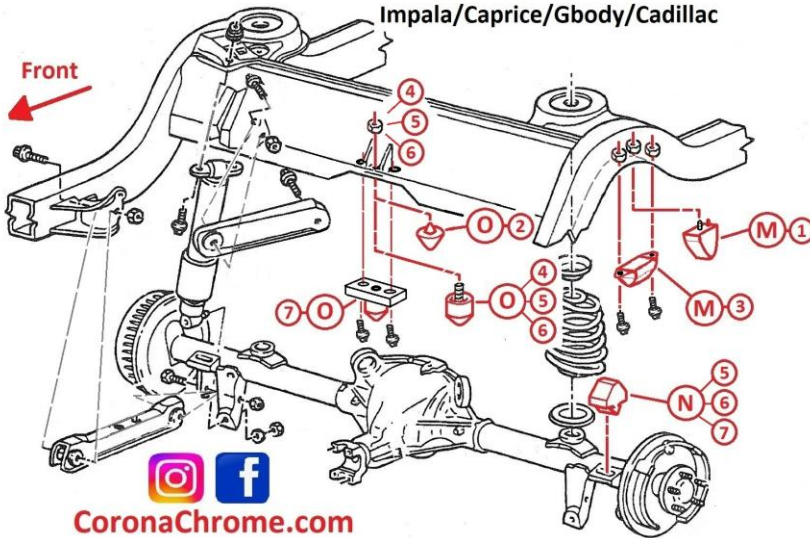
BCGFU-XXX (Front Upper) ----- \$60
BCGFL-XXX (Front Lower) ----- \$60
BCGRUL-XXX (Rear Upper & Lower) - \$110





BUSHING AND BOOT SETS

Rear Suspension Bump Stops Impala/Caprice/Gbody/Cadillac



CoronaChrome.com



- Designed to Manufacturer Specification
- For custom applications (hydraulics, air bags, etc...) trim as needed.

- (M)** Rear Frame Bump Stop
- (N)** Rear Axle Bump Stop
- (O)** Rear Axle Center Pinion Bumper
- 1** Fits 58-64 Impala
- 2** Fits 65-66 Impala/Caprice
- 3** Fits 65-70 Impala/Caprice
- 4** Fits 68-70 Impala/Caprice
- 5** Fits 71-76 Impala/Caprice
- 6** Fits Cadillac
- 7** Fits GBody

AVAILABLE COLORS -XXX= COLOR

-BLK (Black)	-NGY (Nardo Gray)
-BRN (Brown)	-GLD (Gold)
-BLU (Blue)	-NGY (Nardo Gray)
-LBL (Light Blue)	-ORG (Orange)
-DBL (Dark Blue)	-PNK (Pink)
-RED (Red)	-PPL (Purple)
-DRD (Dark Red)	-TEA (Teal)
-GRN (Green)	-WHT (White)
-DGN (Dark Green)	-YLW (Yellow)

REAR PINION SNUBBER

78-87 GBody
RPSNBG-XXX ----- \$60

REAR AXLE BUMP STOPS

Rear Axle Bump Stops

GBody, Cadillac
78-87 GBody
71-96 Cadillac/Impala/Caprice
RABSGC-XXX (N5, N6, N7) ----- \$70

Y-BONE BUSHINGS

Includes 6 Halves (3 Bushings)
Bolts sold separately
Diameter = 1.50"
YBB150-XXX- ----- \$80
Diameter = 1.75"
YBB175-XXX- ----- \$80

Y-Bone Bushings Part# YBBUSH-xxx
SMALL 1.50 LARGE 1.75
Light Blue Teal Green Dark Green
Y-Bone Bushings Part# YBBUSH-xxx

FRONT END BOOT & BUSHING KITS

1978-1987 Gbody
Boots: Tie Rods, Idler Arm, Ball Joints
Bushings: Centerlink Grommets, Links, 30mm Swaybar to Frame
BTSTGC-XXX ----- \$200

Gbody/Cadillac

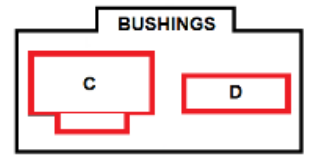
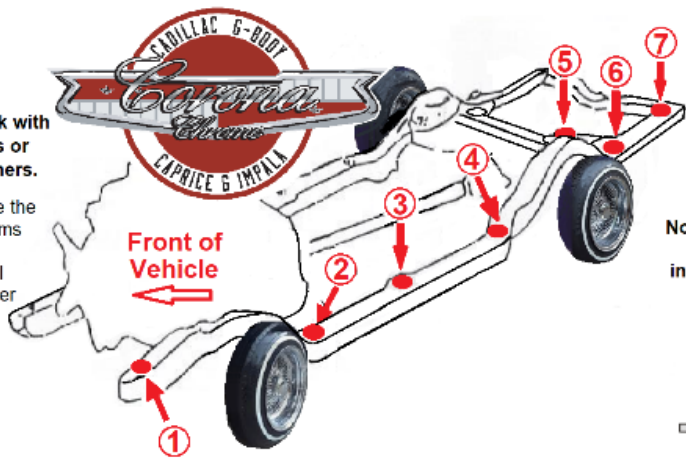
Links Swaybar to Frame
Tie Rods Idler Arm Balljoints
Centerlink
BLUE BUSHINGS & BOOTS



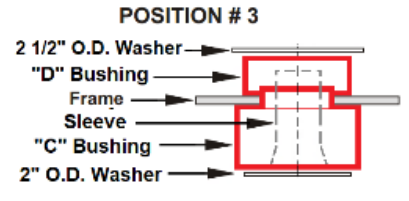
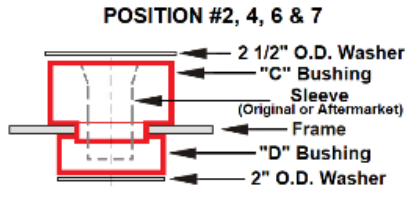
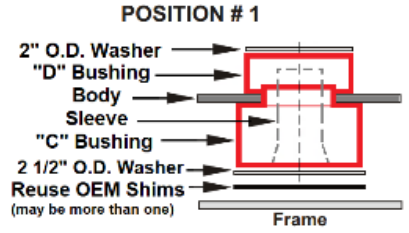
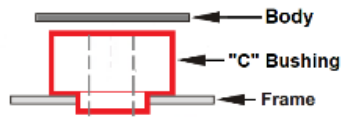
BODY MOUNT BUSHING SETS

ALL BODY MOUNT BUSHINGS CAN BE SOLD SEPARATELY

REMOVAL
 Spray all nuts to be removed with rust removal lubricant.
Bushings are designed to work with original body mount sleeves or aftermarket sleeves and washers.
Note: When disassembling, note the quantity and positions of any shims that may have been inserted for body alignment. These shims will have to be reused to insure proper body alignment.
Installation: Only raise body high enough to remove and replace mounts. Install mounts one side at a time with bolts on opposite side loosened only.



POSITION # 5
Note: Some vehicles did not come with this bushing. It's located in a hole in front of the upper rear spring perch.
 No sleeves, bolts or washers are used in this location.



AVAILABLE COLORS
 -XXX= COLOR

-BLK (Black)	-BRN (Brown)	-BLU (Blue)	-LBL (Light Blue)	-DBL (Dark Blue/Purplish)	-ORG (Orange)
-RED (Red)	-DRD (Dark Red)	-GRN (Green)	-DGN (Dark Green)	-GLD (Gold)	-NGY (Nardo Gray)
-PNK (Pink)	-PPL (Purple)	-TEA (Teal)	-WHT (White)	-YLW (Yellow)	

78-87 GBody

- BMBSHG-XXX (Gbody) ----- \$280**
- BMGxx-SLV (Sleeves & Washers) ----- \$50**
- BMGxx-WSH (Sleeves & Washers) --- \$40**
- BMBSHG-BLT (Bolts) ----- \$40**



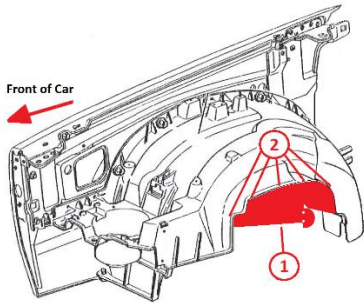


A-Arm Dust Shields and Seals

AVAILABLE COLORS = -XXX

-BLK (Black)	-BRN (Brown)	-BLU (Blue)	-LBL (Light Blue)	-DBL (Dark Blue/Purplish)	-ORG (Orange)
-RED (Red)	-DRD (Dark Red)	-GRN (Green)	-DGN (Dark Green)	-GLD (Gold)	-NGY (Nardo Gray)
-PNK (Pink)	-PPL (Purple)	-TEA (Teal)	-WHT (White)	-YLW (Yellow)	

Gbody A-Arm Dust Shields



81-88 GBody

DS7792-XXX (A-Arm Dust Shield) -- \$100

RS8296-XXX (A-Arm Dust Shield) -- \$100

Push In Retainers





2024 V1