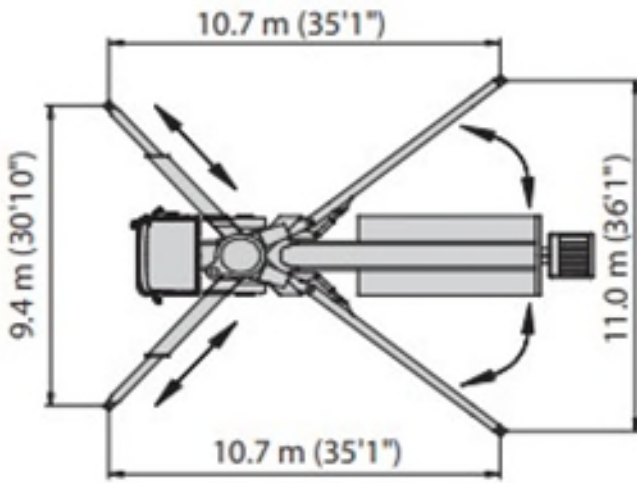


# 50 Meter Z-Fold Boom Pump



## Specifications:

- Vertical Reach: 49.2m (161'5")
- Horizontal Reach: 45.5m (149'3")
- Reach from Front: 42.2m (138'5")
- Unfolding Height: 10.0m (32'10")
- 1<sup>st</sup> Section Length: 9.9m (32'6")
- 2<sup>nd</sup> Section Length: 8.7m (28'7")
- 3<sup>rd</sup> Section Length: 8.5m (27'11")
- 4<sup>th</sup> Section Length: 9.2m (30'2")
- 5<sup>th</sup> Section Length: 8.9m (29'2")
- Front Spread: 9.4m (30'10")
- Rear Spread: 11.0m (36'1")
- Vehicle Weight: 39,310kg (86,700 lbs)
- Vehicle Length: 13.3m (43'8")
- Max Outrigger Load: 67,443lbs (300KN)

