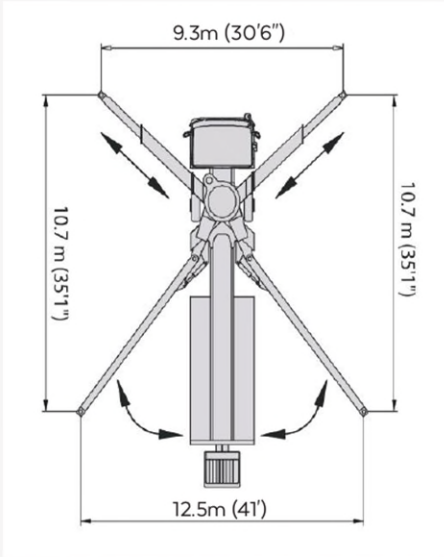


57 Meter Z-Fold Boom Pump

OUTRIGGER EXTENSION



Specifications:

Vertical Reach: 56.2m (184'5")

Horizontal Reach: 51.2m (168')

Unfolding Height: 14.8m (48'7")

1st Section Length: 11.1m (36'5")

2nd Section Length: 8.5m (27'11")

3rd Section Length: 9.0m (29'6")

4th Section Length: 11.6m (38'1")

5th Section Length: 12.0m (39'4")

Front Spread: 9.3m (30'6")

Rear Spread: 12.5m (41')

Vehicle Weight: 48,000kgs (105,822lbs)

Vehicle Length: 14.5m (47'9")

Max Outrigger Load: 80,832lbs (360kN)

