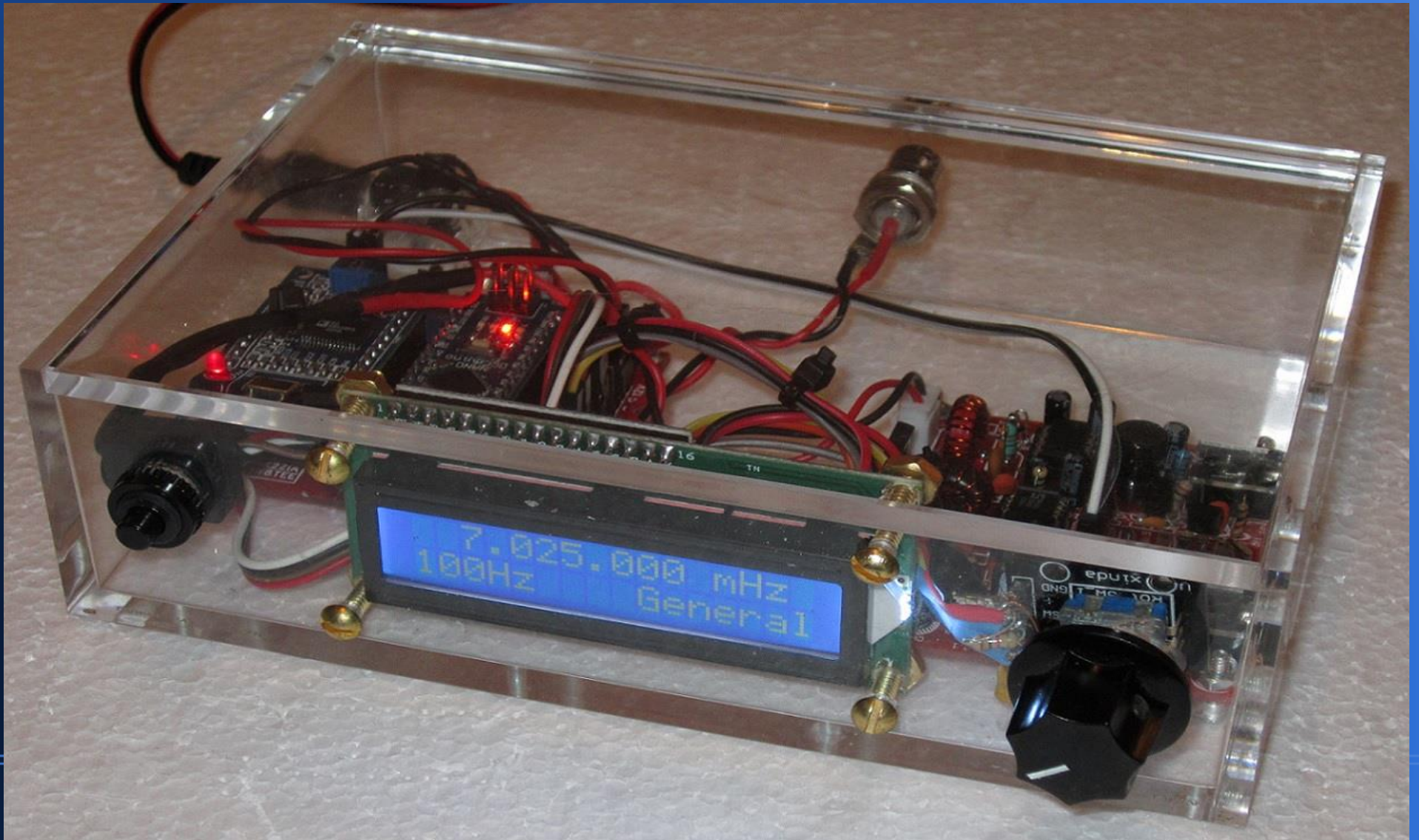


# The Lego 40M Transceiver

## Features:

1. LCD display
2. VFO control over 40m band
3. CW with 3 watts output
4. Flexible design
5. Cost is less than \$50

# The Lego 40M Transceiver



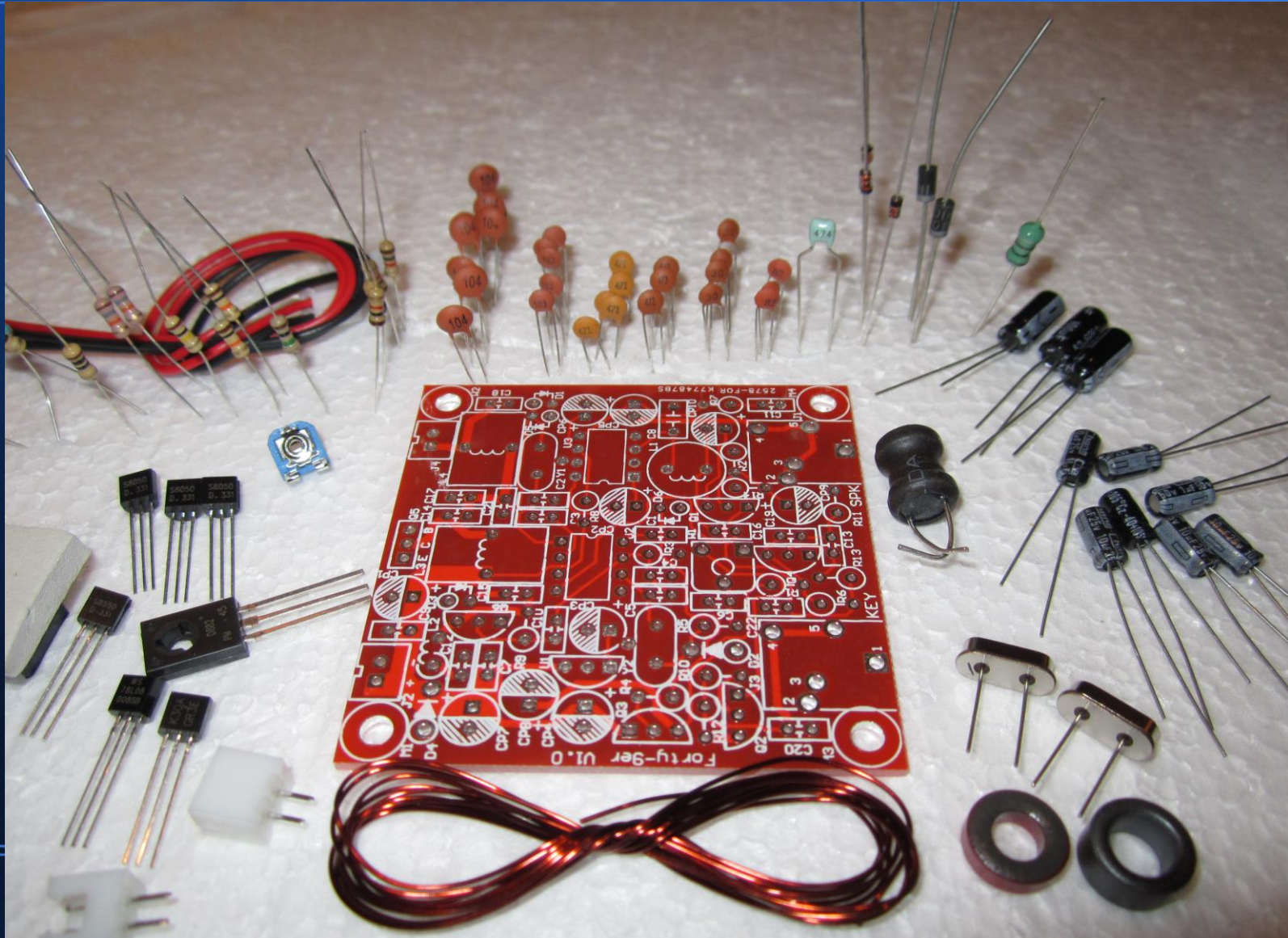
# The Lego 40M Transceiver

## Transceiver:

1. Forty-9er
  - a. Based on Norcal Forty-9er designed by Wayne Burdick and Doug Henricks
  - b. Purchased on eBay for \$9.60.



# Forty-9er Kit

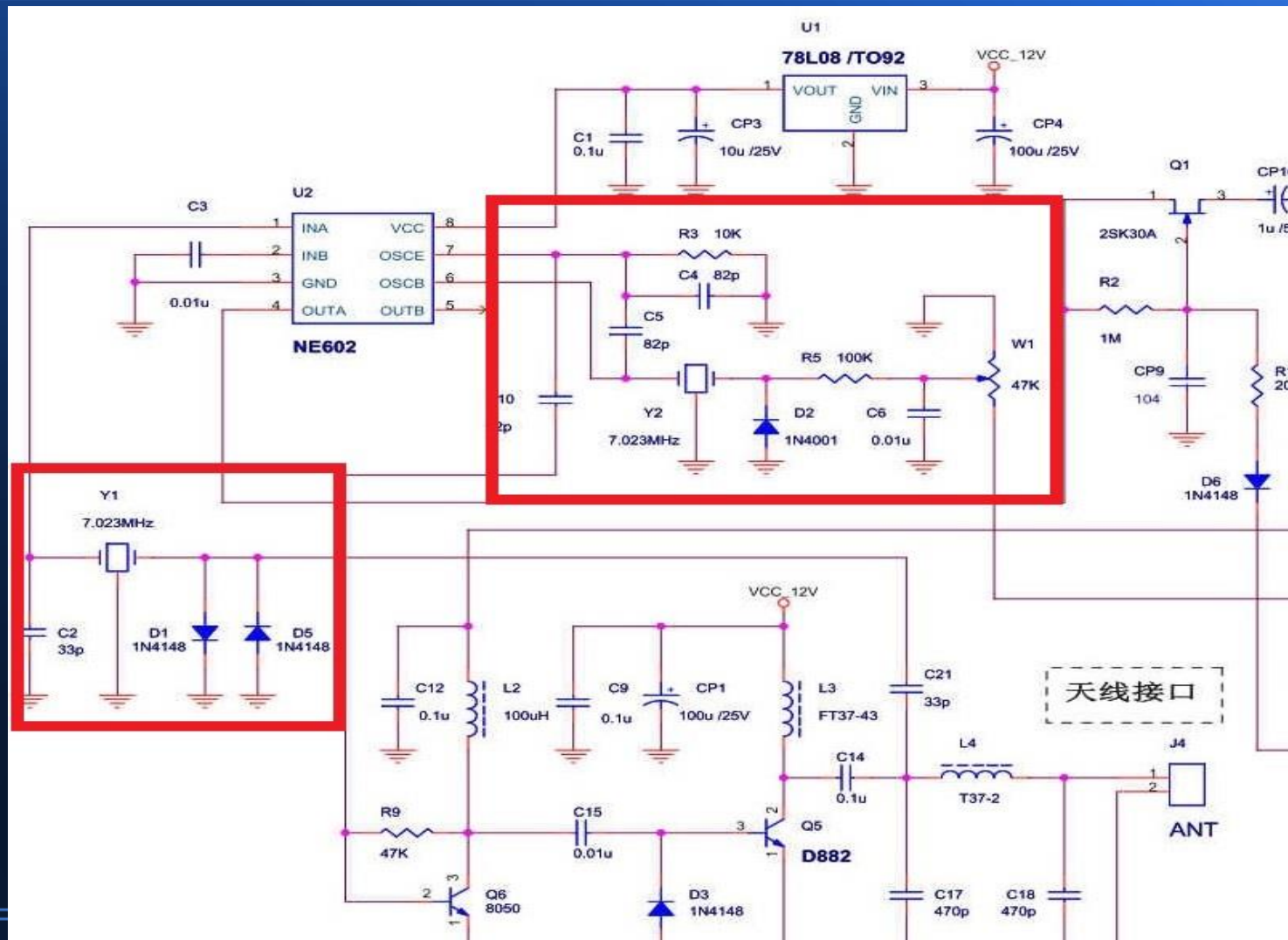


# The Lego 40M Transceiver

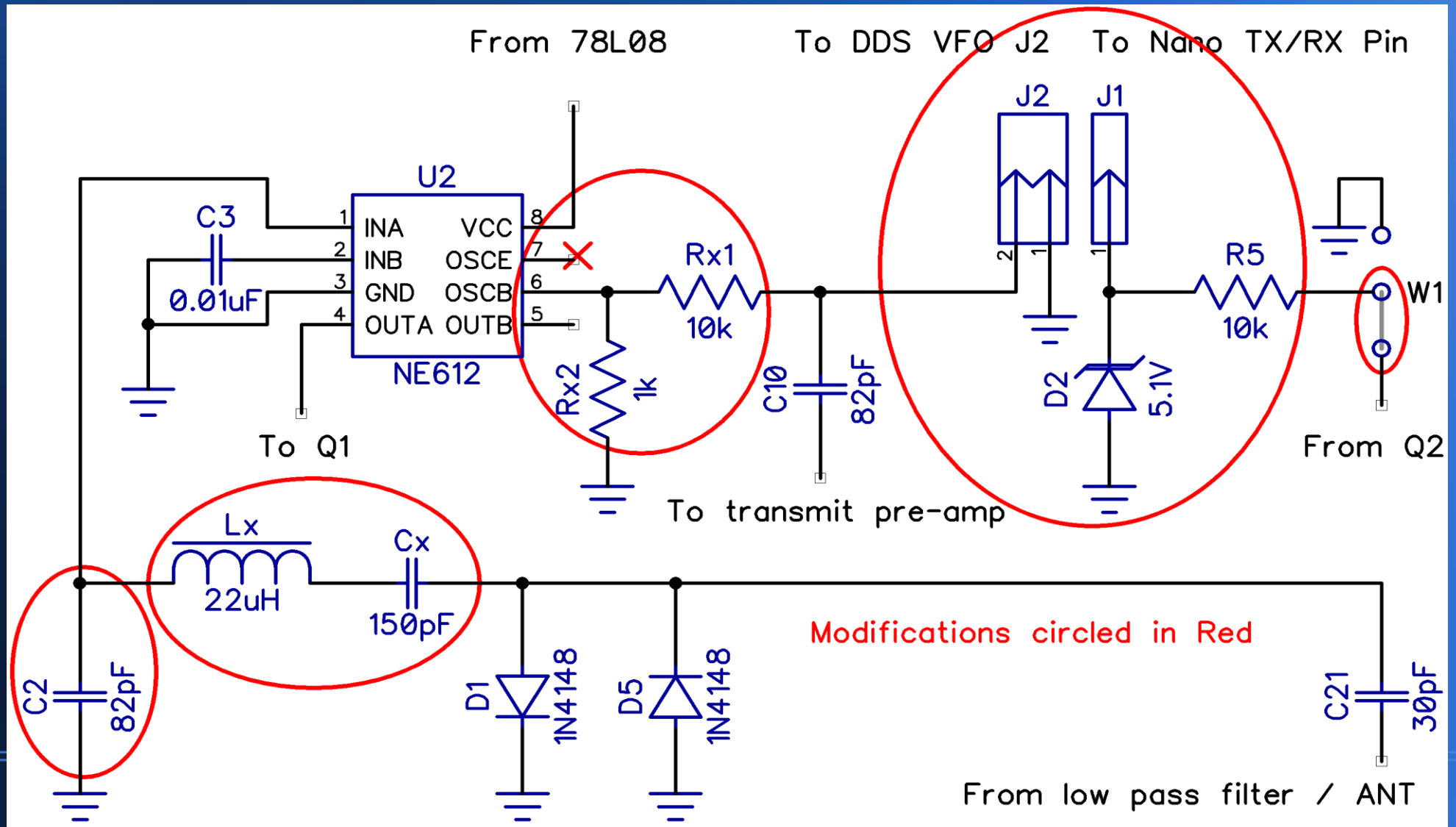
## Modifications:

1. Replaced crystal filter with simple LC network.
2. Removed components the NE602/NE612 used as a crystal-controlled oscillator.

# Original Forty-9er Circuit

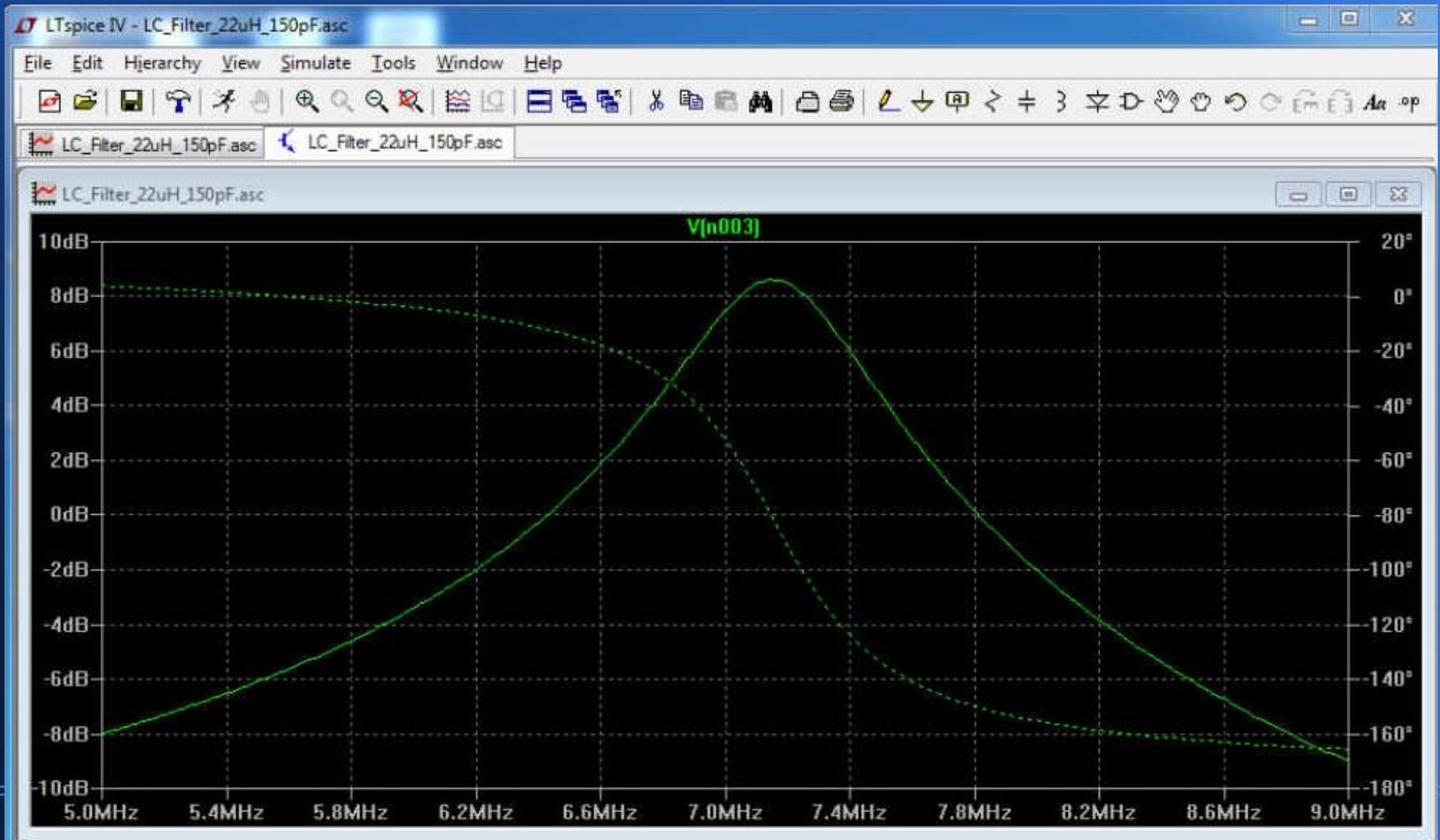


# Modified Forty-9er Circuit





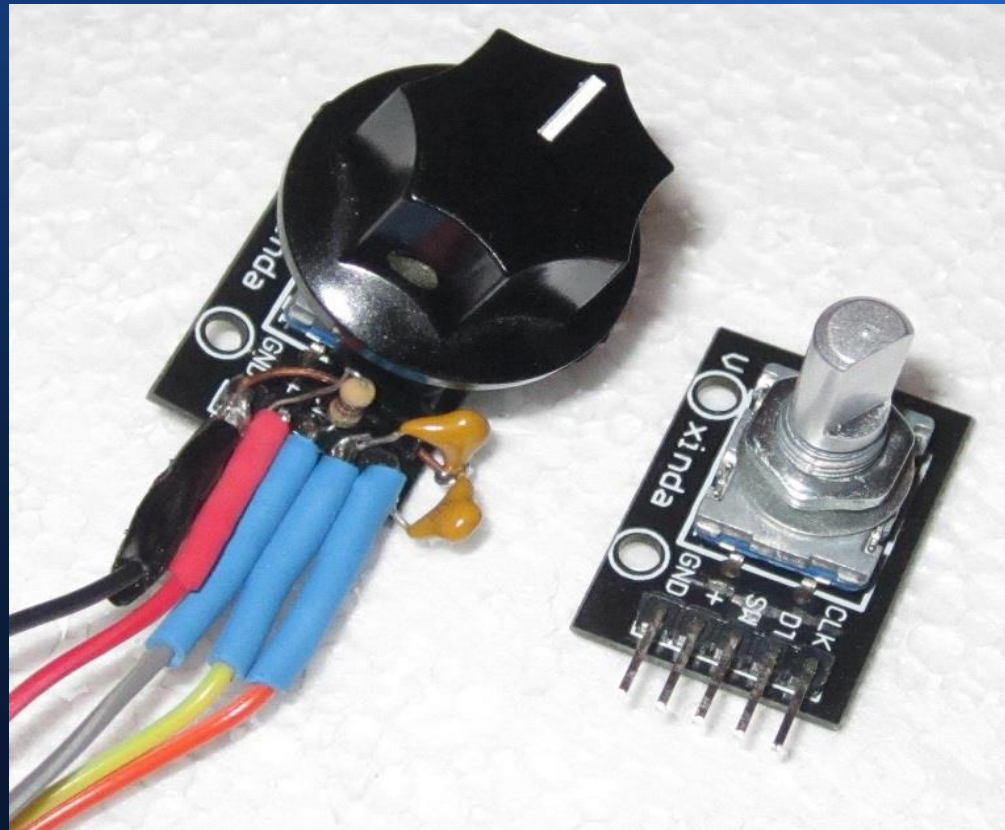
# The Lego 40m Transceiver New Receiver Filter





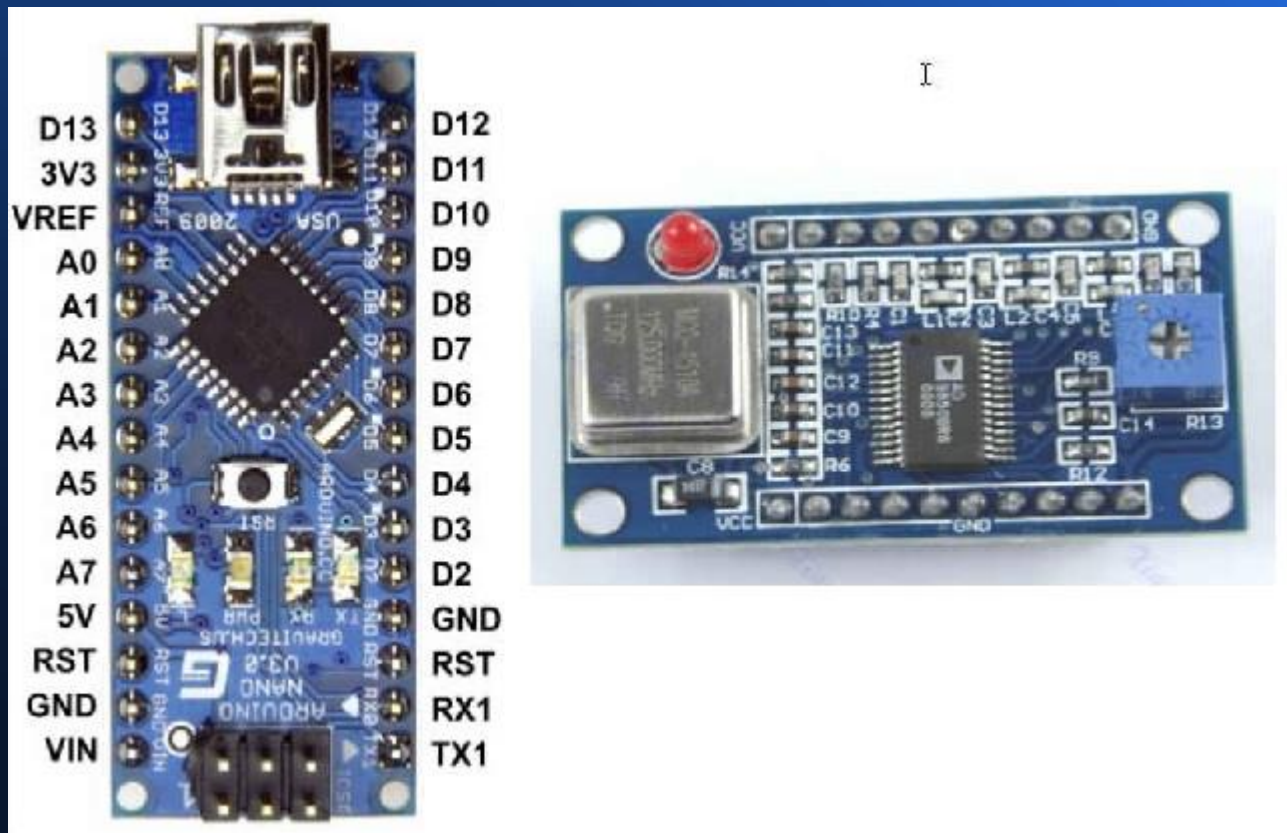
# The Lego 40m Transceiver

Rotary Encoder:

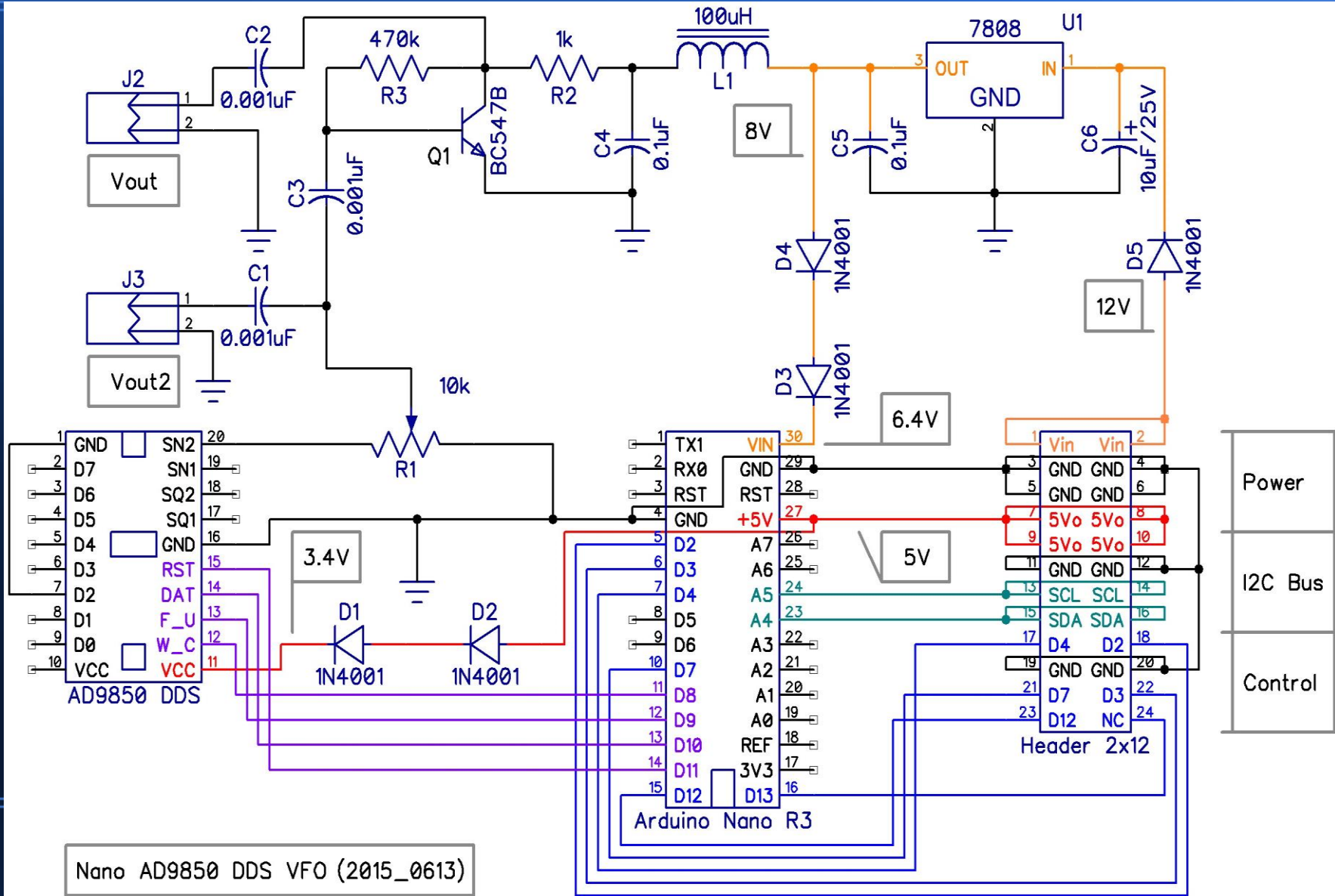


# The Lego 40M Transceiver

Nano and DDS VFO Boards:

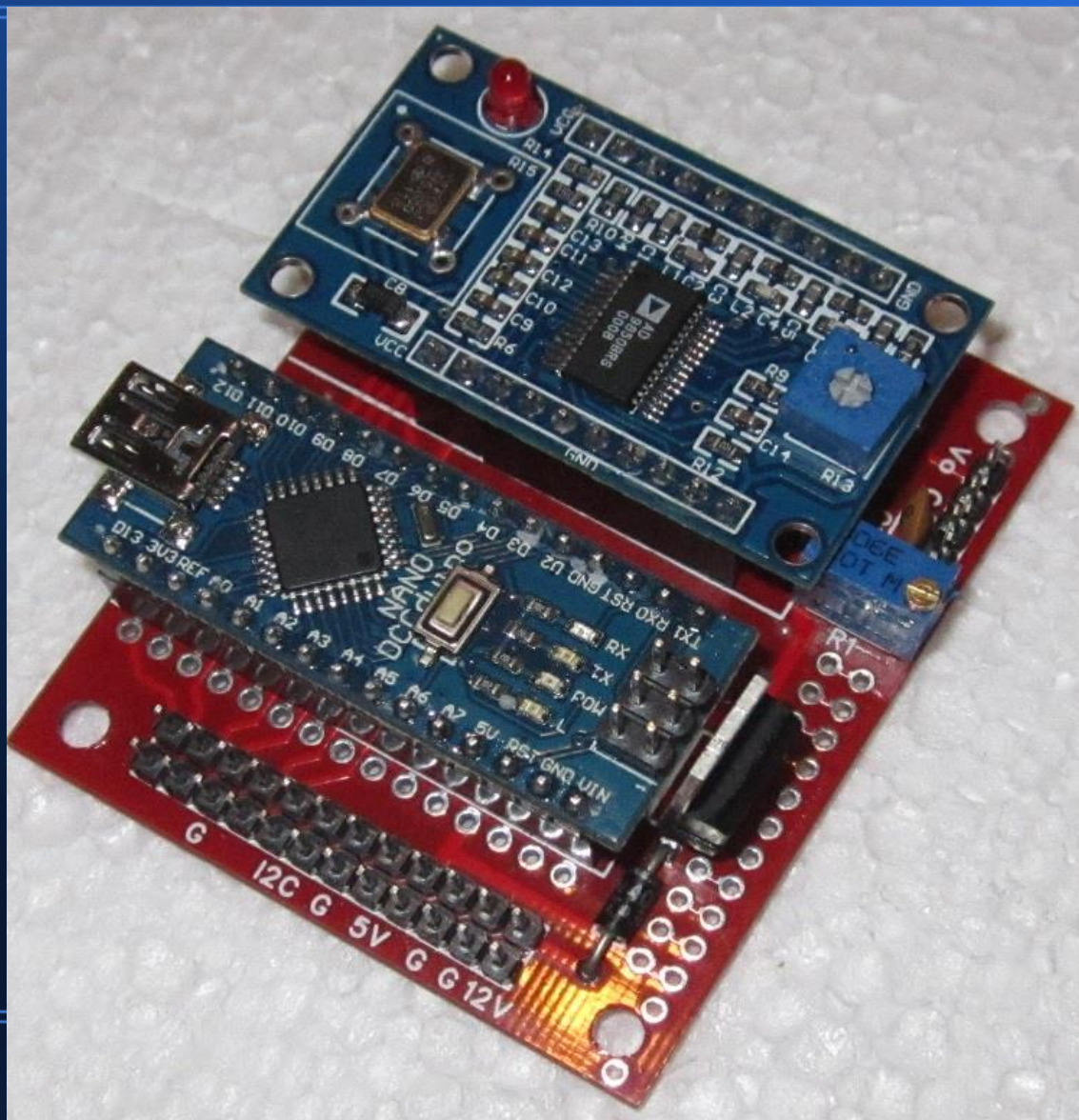


# The Lego 40M Transceiver Nano and DDS VFO





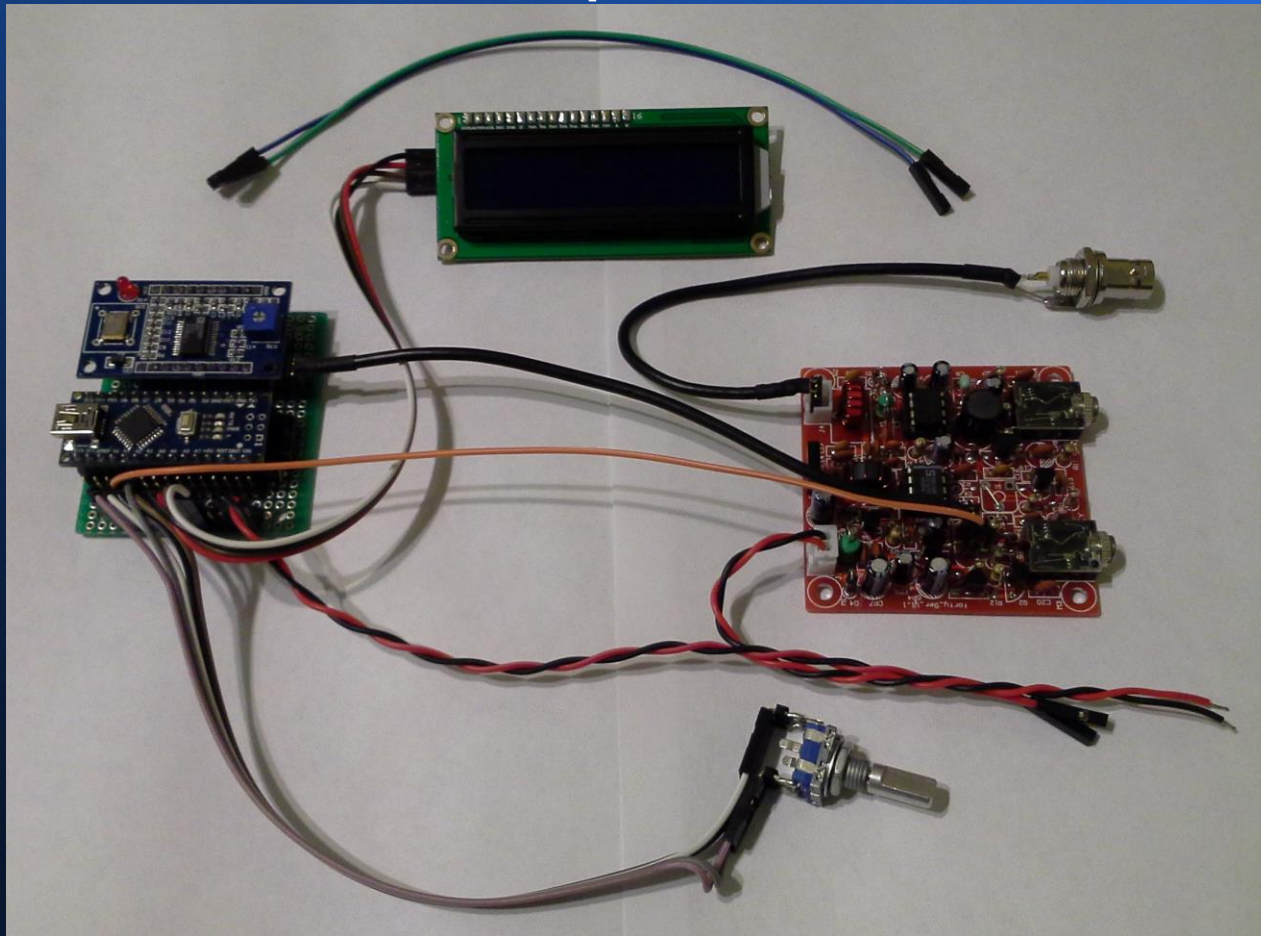
# The Lego 40M Transceiver Nano and DDS VFO on PCB





# The Lego 40M Transceiver

Components:



# The Lego 40M Transceiver

Software:

