

# Gs2 Series INJECTOR

LNG / CNG FUEL INJECTOR  
POWERING PRODUCTIVITY THROUGHOUT THE WORLD

## Key Features

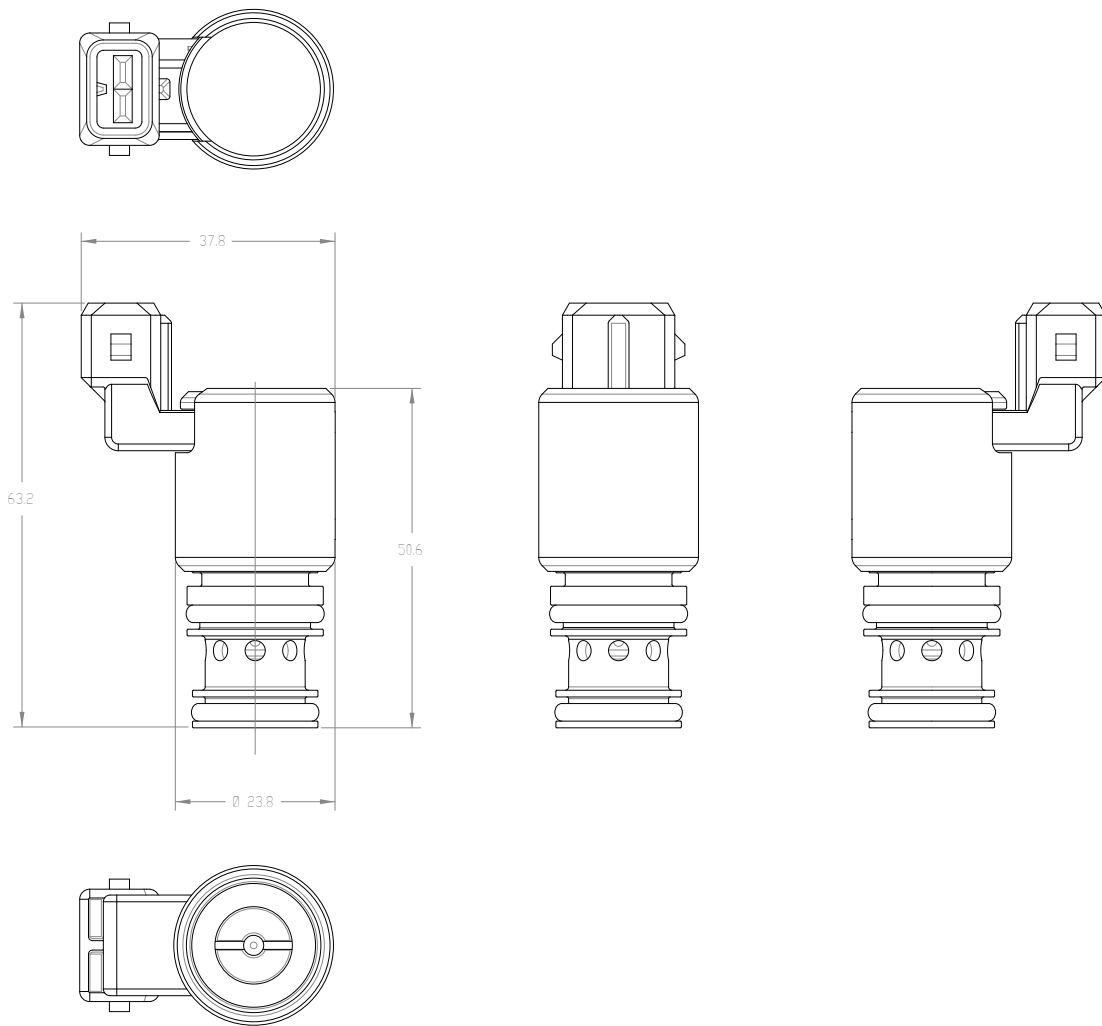
- Cost effective - High flow CNG injector can replace multiple competitive injectors
- Compatible for use with gaseous hydrocarbon fuels derived from CNG and LNG
- Suitable for both port and throttle body injection configurations
- Compatible with 12VDC and 24VDC systems
- Injector response time less than 2 ms with 8:2 Amp peak and hold driver
- Cartridge style design allows for easy drop-in installation
- Side feed - bottom discharge allows for simpler port design, and greater tolerance to gas contamination
- High performance OEM quality
- Certified to ECE R110, R10 and ISO 15500



# SPECIFICATIONS

## Gs2 Series INJECTOR

GENERAL INFORMATION	
APPLICATION	Fuel Injection Systems, Heavy Duty, TBI, MPI
DESIGN	Side Feed Injector
BODY MATERIAL	Stainless Steel
FUEL TYPE	Natural Gas
PERFORMANCE	
MAX WORKING PRESSURE	800 kPa abs
FLOW RATE	5 g/s NG @ 600 kPa abs
WORKING TEMPERATURE	-40°C to 120°C (-40°F to 248°F)
DURABILITY	600 million cycle
DRIVER TYPE	8:2A Peak & Hold
COIL RESISTANCE	0.65 Ohm
CONNECTOR	AMP Junior Power Timer
LEAKAGE	<0.25 cc/min
APPROVALS	
CERTIFICATIONS	ECE R110, R10, ISO 15500



ISO 9001:2008 registered  
ISO 14001:2004 registered

EMPCO dba @IMPCO Technologies. All rights reserved.  
All information is subject to change without notice.  
Images for illustration purposes only, may not reflect configuration provided.