

Es2 Series INJECTOR

LPG / CNG FUEL INJECTOR POWERING PRODUCTIVITY THROUGHOUT THE WORLD LPG/CNG喷嘴

Key Features

The Es2 injector for gaseous fuels uses patented technology to accommodate the most demanding automotive and industrial applications.

- LPG and CNG vapor injector
- 3 different orifice sizes: 1.60, 2.25 and 2.75
- 1.60: up to 18 hp/cylinder
- 2.25: up to 35 hp/cylinder
- 2.75: up to 50 hp/cylinder
- Suitable for engines up to 6,000 rpm
- Low noise due to membrane
- Low weight
- Junior Power Timer electrical connector
- 8 mm hose inlet connector
- Customer specific outlet connection for manifold or rail mounting
- Easy mounting with retaining clip
- ISO 15500, ECE R67-01, ECE R100 Certified

主要特性

GFI的CNG/LPG喷嘴具有专利技术，能够满足绝大部分汽车和工业应用。

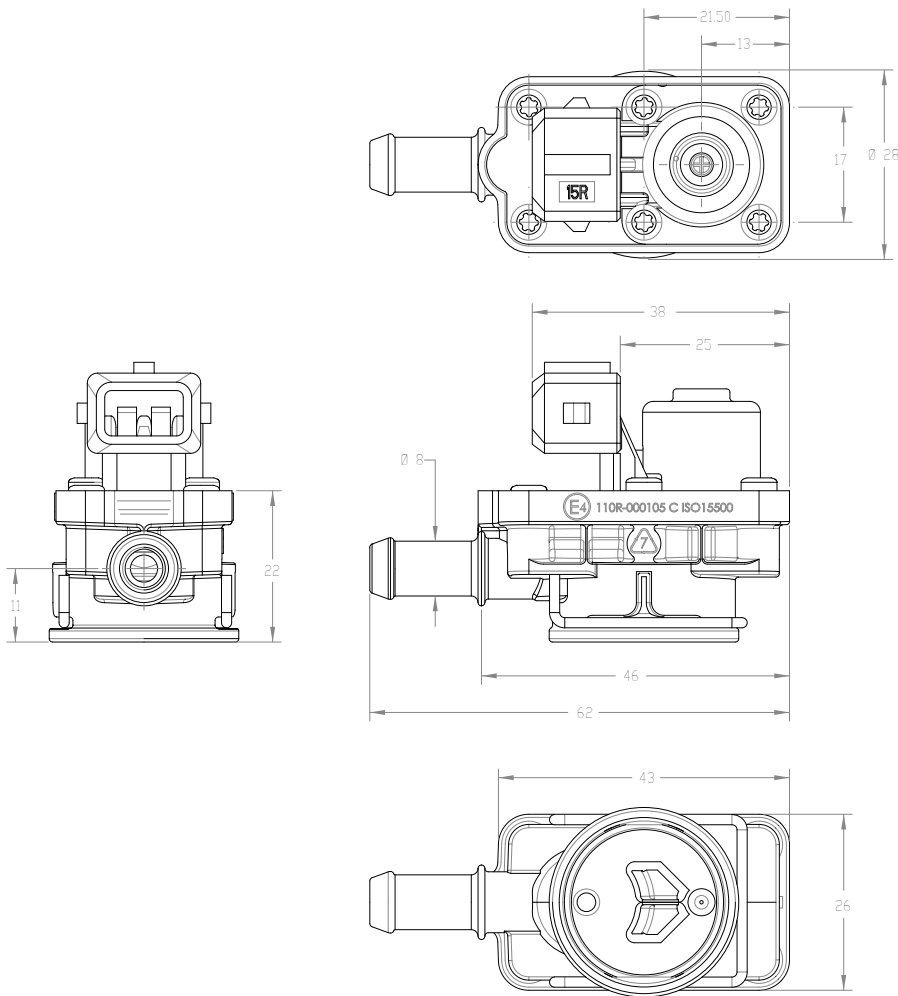
- LPG/CNG喷嘴
- 3种喷嘴规格：1.6, 2.25, 2.75
- 1.6的喷嘴单缸可达18hp
- 2.25的喷嘴单缸可达35hp
- 2.75的喷嘴单缸可达50hp
- 支持发动机最大转速为6000转/分
- 低噪音
- 重量轻
- 接插件为Junior Power Timer
- 入口连接管为8mm
- 客户可定制歧管或者歧管安装
- 别针固定便于安装
- 认证：ISO 15500, ECE R67-01, ECE R100



SPECIFICATIONS 技术参数

Es2 Series INJECTOR

GENERAL INFORMATION 基本参数				
APPLICATION 应用	Fuel Injection Systems, TBI, MPI 单点/多点			
DESIGN 设计	Intake Manifold Direct Mounting 进气歧管直接安装			
BODY MATERIAL 机体材料	Ryton (PPS)			
FUEL TYPE 燃气类型	Natural Gas / LPG			
PERFORMANCE 性能				
MAX WORKING PRESSURE 最大工作压力	450 kPa abs			
FLOW RATE 流量 (THREE SIZES AVAILABLE)	1.60 mm	2.25 mm	2.75 mm	
	LPG @ 188 kPa abs [g/s]	1.43	2.60	3.42
	NG @ 300 kPa abs [g/s]	1.38	2.51	3.30
WORKING TEMPERATURE 工作温度	-40°C to 120°C (-40°F to 248°F)			
DURABILITY 耐久	600 million cycle 6亿次循环			
DRIVER TYPE 驱动类型	Saturated 饱和电流			
COIL RESISTANCE 线圈电阻	15 Ohm			
CONNECTOR 接插件	AMP Junior Power Timer			
LEAKAGE 泄漏	<0.25 cc/min			
APPROVALS 认证				
CERTIFICATIONS 认证	ECE UN R110, ECE UN R67, ISO 15500, AGA			



ISO 9001:2008 registered
ISO 14001:2004 registered

EMPCO dba @IMPCO Technologies. All rights reserved.
All information is subject to change without notice.
Images for illustration purposes only, may not reflect configuration provided.