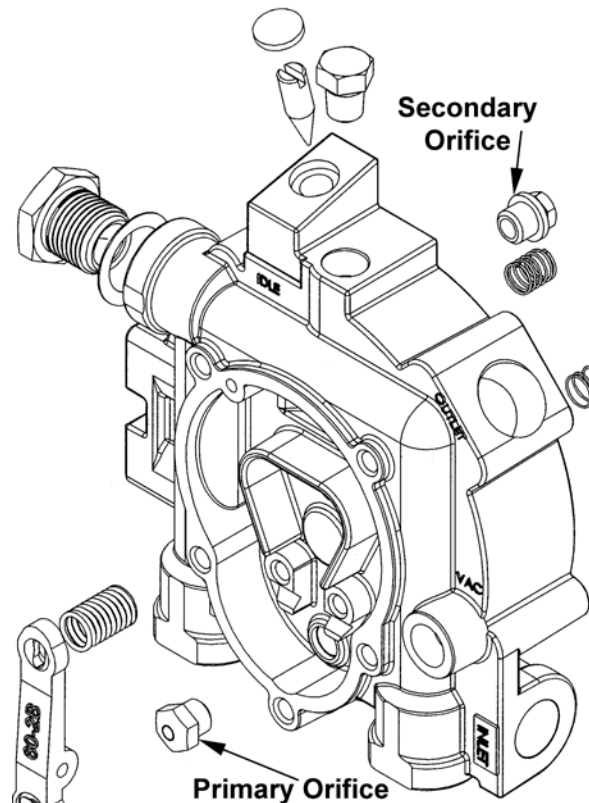


T60 Repair Kit Change

The T60-RCK repair kit for the T60 Regulator is no longer available and has been replaced by repair kit T60-RBK. The T60-RBK is identical to the T60-RCK but does not include the primary or secondary orifices (see illustration below).

Future T-60 Regulators will feature integral orifices built into the body. If the seats are found to be damaged, the regulator must be replaced.



View of the T60 Regulator body and components including the primary and secondary orifices.