



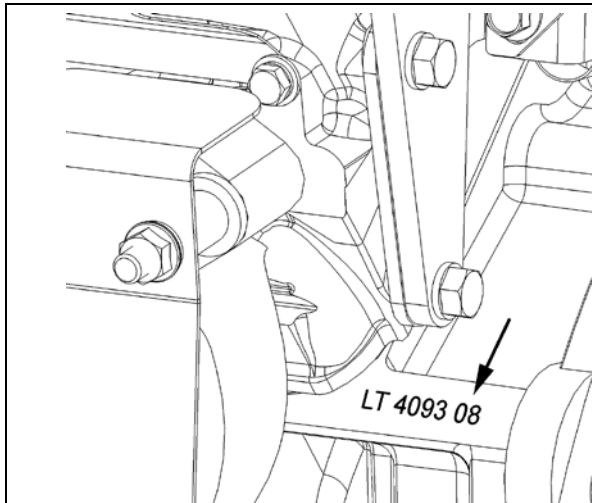
Warranty Authorization Form

This bulletin addresses engine components covered under IMPCO Warranty. "Engine" components are described as the parts and related labor operations listed in the *Engine Repair Operations* section of the IMPCO Labor Time Guide.

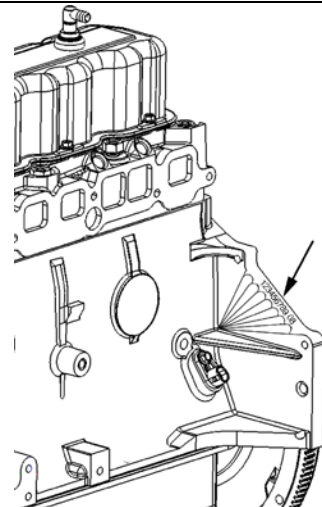
All warrantable engine parts and labor costs to exceed \$700 must be pre-approved by IMPCO Warranty. Engine warranty claims exceeding \$700 and not pre-approved may be denied.

For pre-approval, review and complete the attached form. All forms are to be e-mailed to t2warranty@impcotechnologies.com:

- Fill in the form using Microsoft word and e-mail as attachment **OR** complete the form by hand, then scan it into a .jpg, .tif, or .pdf file and e-mail it as an attachment.
- 1. Company Name:** Enter the name of the company servicing the engine.
 - 2. Phone:** Enter the best phone number that can be used to reach the technician servicing the engine, including an extension, if applicable.
 - 3. Contact Name:** Enter the name of the technician servicing the engine.
 - 4. Fax:** Enter the area code and phone number of the technician's fax, if available.
 - 5. e-Mail:** Enter the e-mail address of the technician.
 - 6. PSI Engine S/N:** Enter the serial number stamped on the block:



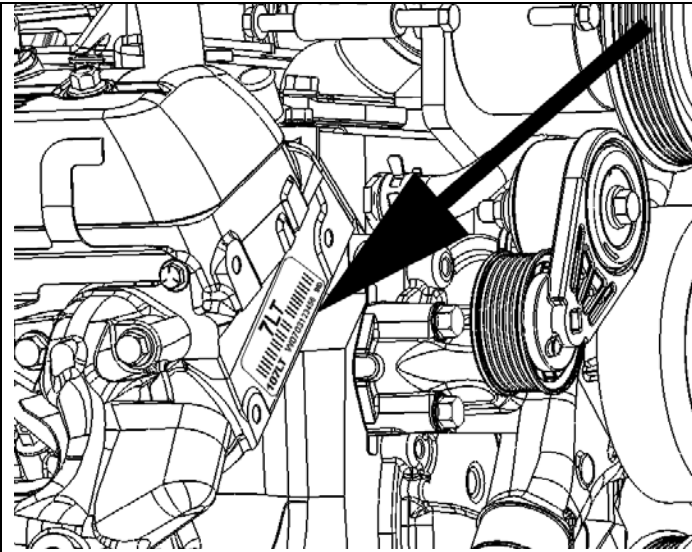
The PSI 4.3L engine number can be found on a machined surface on the back of the engine block, just below the rear engine hanger.



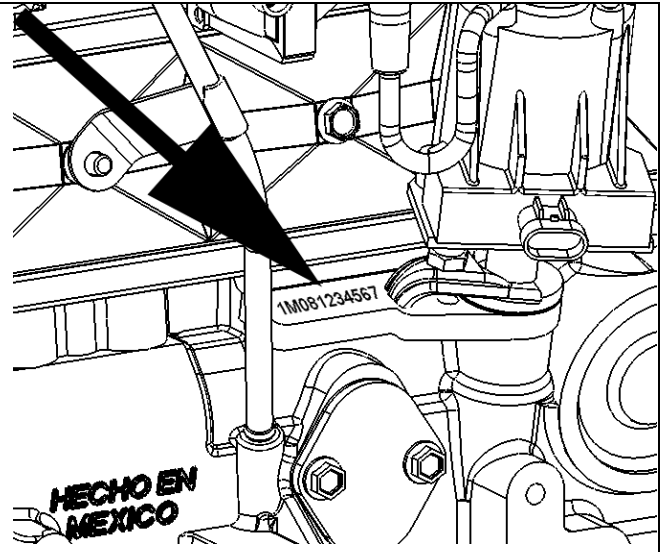
The PSI 3.0L engine number can be found on a machined surface on the back of the engine block near the bell housing.

- 7. GMPT S/N:** Enter the General Motors Power Train serial number of the engine. The serial number can be found stamped on the engine block or on a large white label (see illustrations on the next page for type and location).






The 4.3L GMPT Engine Number can be found on a white label affixed to the front of the right cylinder head.



The 3.0L GMPT Number is stamped on the machined surface of the block next to the distributor hold down or yoke.

8. **Date Vehicle/Application Sold:** Enter the date the application or vehicle was sold to the end user and placed into service.
9. **Hours on Engine:** Enter the number of hours the engine has been in service.
10. **Failure Date:** Enter the date the problem first occurred.
11. **Equipment Manufacturer:** Enter the name of vehicle/application manufacturer.
12. **Equipment Model:** Enter the serial number of the vehicle/application.
13. **Equipment S/N:** Enter the specific model (type) of vehicle/application.
14. **Dealer Name:** Enter the name of the dealer submitting the warranty claim.
15. **Address:** Enter the address of the dealer submitting the warranty claim.
16. **City:** Enter the city of the dealer submitting the warranty claim.
17. **State & Zip:** Enter the state and zip code of the dealer submitting the warranty claim.
18. **Customer Complaint:** Describe the problem in detail, noting each symptom or engine problem and DTCs (Diagnostic Trouble Codes).
19. **Cause/Diagnosis:** Describe the technician's findings and failure diagnosis.
20. **Repair Details:** Describe the repair or corrective action required.

Questions regarding the form entry can be e-mailed to t2warranty@impcotecnologies.com



Warranty Authorization Form

TECHNICIAN		
1. Company Name:	2. Phone:	Ext.
3. Contact Name:	4. Fax:	
5. e-Mail:	6. PSI Engine S/N:	
7. GMPT S/N:	8. Date Vehicle Sold:	
9. Hours on Engine:	10. Failure Date:	
11. Equipment Manufacturer:	12. Equipment Model:	
13. Equipment S/N:		
DEALER		
14. Dealer Name:	15. Address:	
16. City:	17. State: Zip:	
PROBLEM		
18. Customer Complaint:		
19. Cause/Diagnosis		
20. Repair Details		

Forward all of the information above via e-mail:
t2warranty@impcotecnologies.com

The IMPCO Warranty Authorization Form (F14.1.02-08 December 17, 2007--shown numbered to match the instructions).



3030 South Susan St. ● Santa Ana, CA. 92704 ● www.impcotecnologies.com