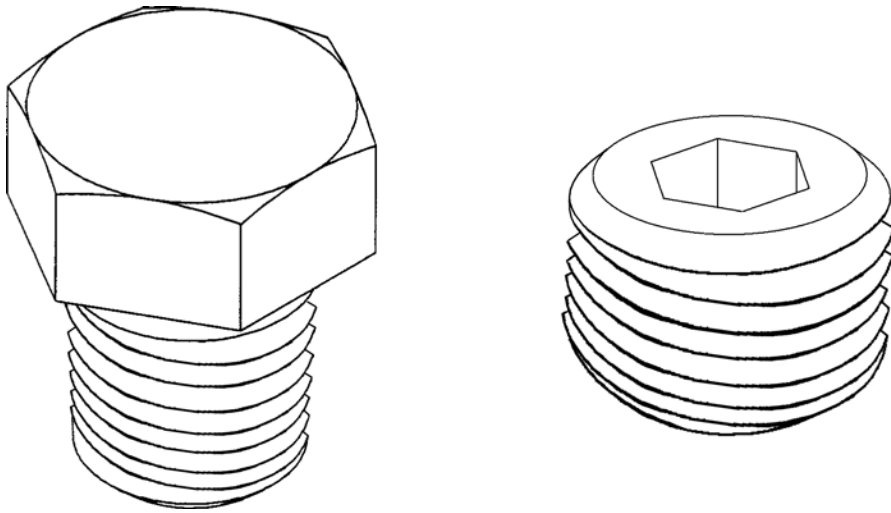


### Change in P3-13 Plug

This TSB addresses a change in the Plug, IMPCO part number P3-13. The part has been changed from a bolt style with a 7/16" hex head to a cylindrical set screw style using a 3/16" hex key fitting. This part is widely used throughout the IMPCO product line.



*Left: Old Style with a 7/16" hex head. Right: New Style with a 3/16" hex key fitting.*

The dimensions of the part have changed, but the part number remains P3-13.