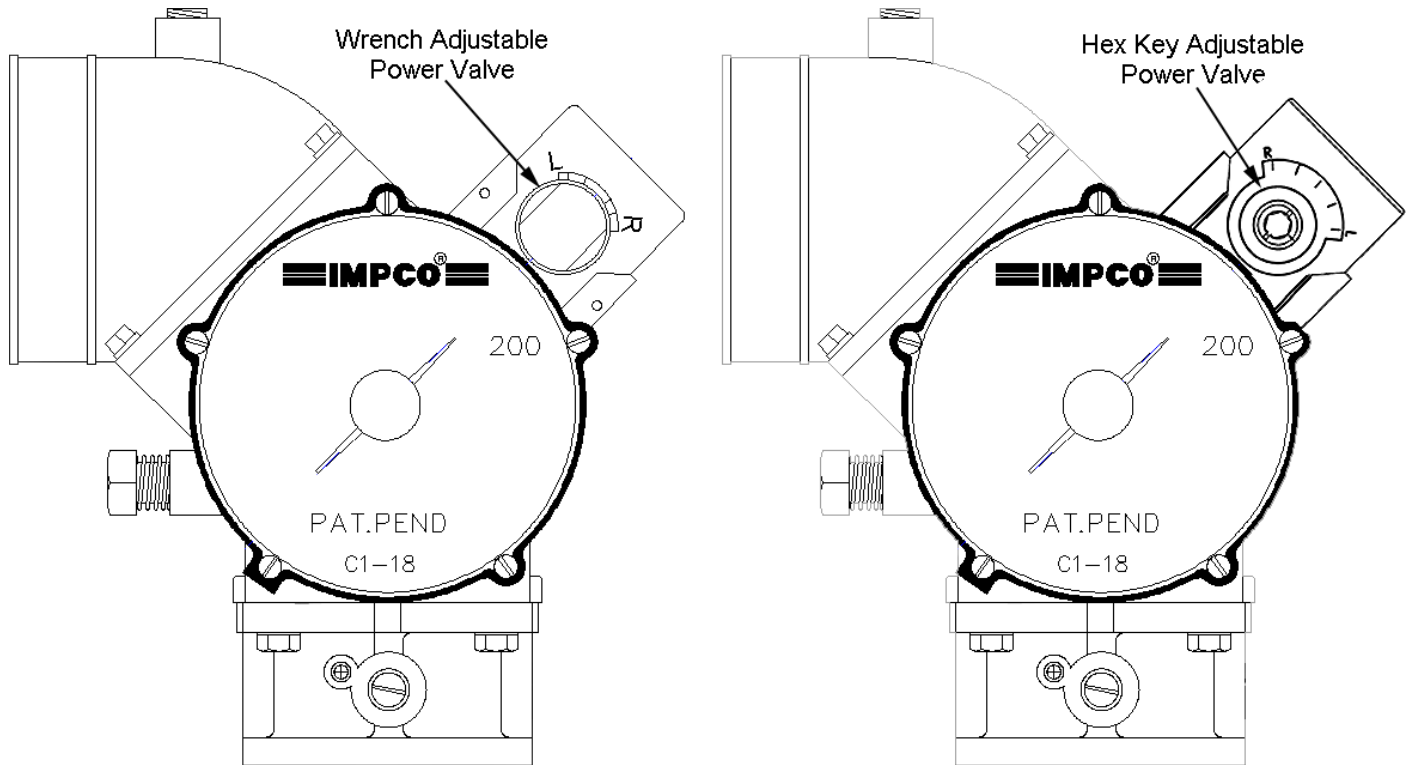


200D/200T Power Valve Change

This TSB introduces a new Power Valve design for the 200D and 200T Carburetors/Mixers. The original Power Valve was adjusted by a wrench and accessible on one side of the carburetor/mixer only. The newly designed valve can be turned with an imperial 5/16" or metric 8mm hex key from *both* sides. The new design is also compatible with a tamper resistant cap to comply with tamper resistant emission regulations.



Model 200D Carburetor shown with both Power Valve Styles

The Power Valve is an integral component of the mixer body and is not a serviceable part. The new design is planned for release as early as the end of 2008.