

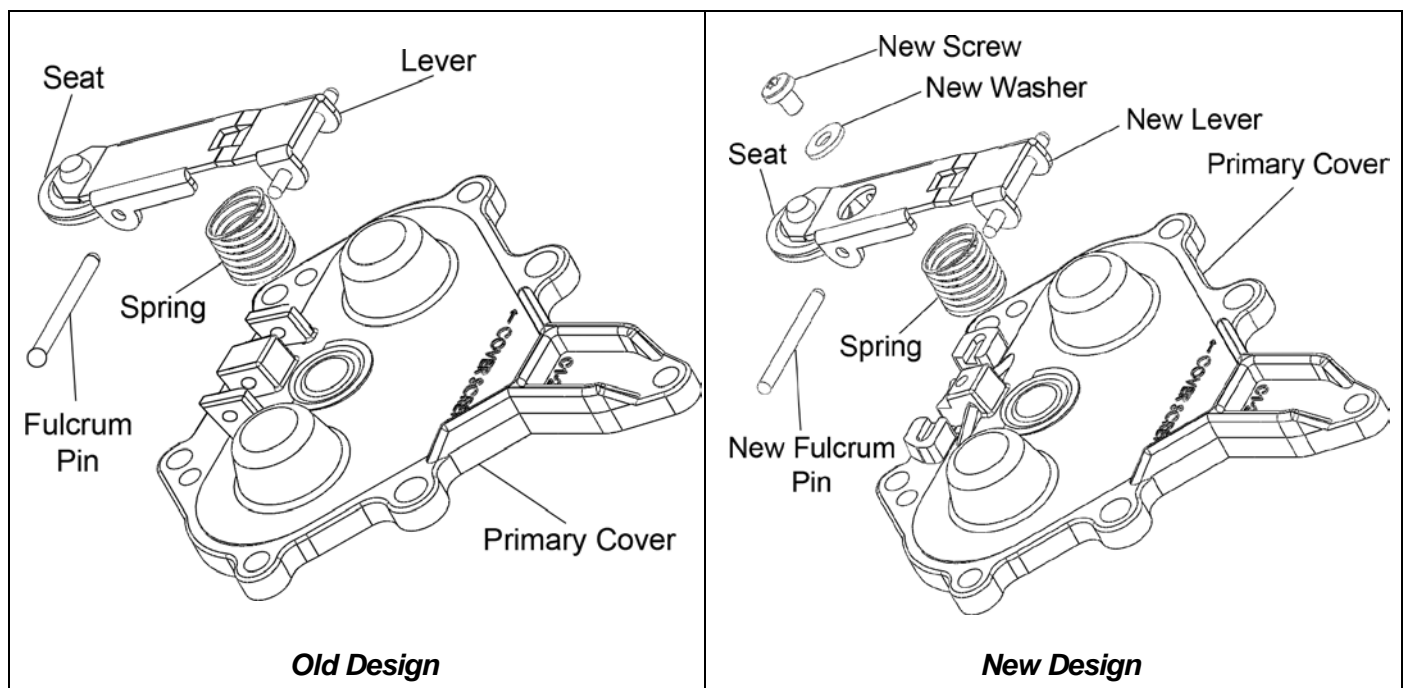
Design Change To All E Series Regulators

This TSB provides information for a design change in E Series regulators and repair kits.

The components in the late Model E repair kits are backward compatible with all E Series regulators, both early and late models.

The components in the early Model E repair kits are not forward compatible with the late production Model E Series regulators.

Customers that must use an early repair kit on the new E Series regulators are advised to remove the secondary seat from the new repair kit lever and install it to the original lever in the unit being repaired. In this case, an early Model E repair kit can be used on the late model regulators.



Expanded diagrams showing the new secondary lever assemblies. New Model E designs use a lever with a hole and a different fulcrum pin that is secured by a washer and screw.

This change is scheduled to take effect early 2009 production.