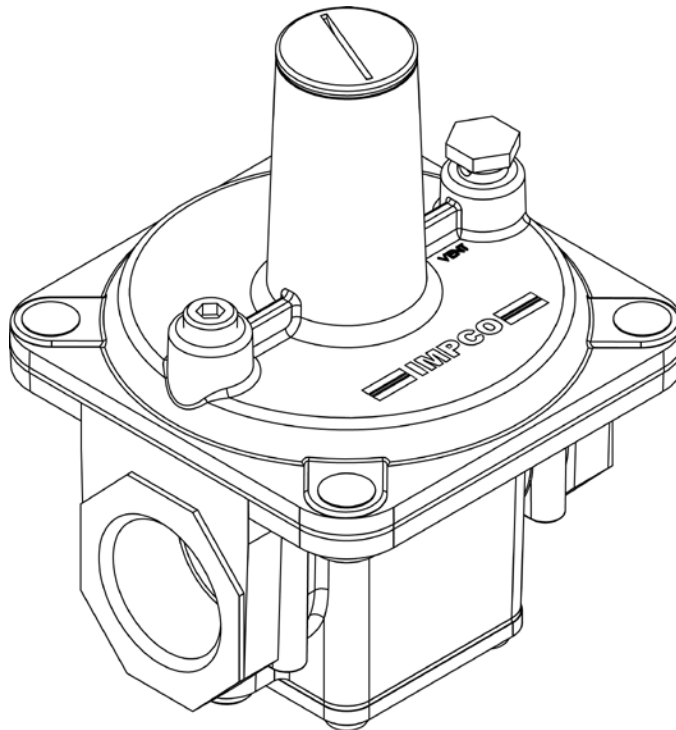


### New IMP Series Regulator

This TSB introduces part number IMP53-50981-001, an improved version and direct replacement for the current IMP53 series low pressure regulator. The IMP53-50981-001 is manufactured by IMPCO Technologies, Inc. and is UL recognized. Product enhancements include: 1/8" NPT diagnostic test ports on the inlet and outlet, an additional vent port, tamper resistance capability (with the installation of optional pressure adjustment plug, part number P3-17956-18), and a new satin aluminum finish. Part number IMP53 will no longer be available and is permanently replaced by part number IMP53-50981-001.



**IMP53-50981-001**

Fuel Type.....LPG Vapor or Natural Gas  
Inlet Pressure  
    (maximum).....20" w.c. (5.0 kPa)  
    (emergency exposure limit) .....3.0 psi  
Nominal Outlet Pressure .....3.0" to 6.0" w.c. (0.75 to 1.5 kPa)  
HP/kW .....180hp (134.2kW)  
Operating Temperature Range.....-40°F to +250°F (-40°C to +121°C)  
Applications .....Stationary, Industrial  
Certification.....UL Recognized (file #MH46841) at 20" w.c. (5.0 kPa)

Part#	Overall Length	Overall Width	Overall Height	Inlet & Outlet NPT	Vent Boss Diameter (2X)
IMP53-50981-001	101.09 (3.98")	98.55mm (3.88")	137.92mm (5.43")	1"	1/8"

