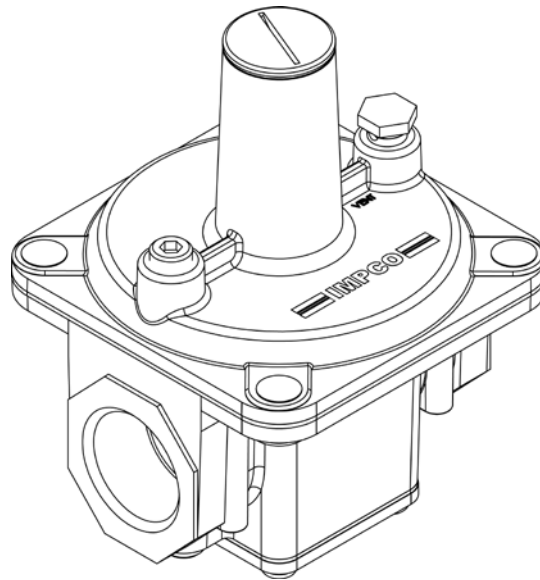


### New IMP Series 52 Regulator

This TSB introduces new part number IMP53-50981-002. The IMP53-50981-002 is manufactured by IMPCO Technologies, Inc. and is UL recognized. Product enhancements include: 1/8" NPT diagnostic test ports on the fuel inlet and outlet, an additional vent port, tamper resistance capability (with the installation of optional pressure adjustment plug, part number P3-17956-18), and a new satin aluminum finish. Part number IMP52 will no longer be available and is permanently replaced by part number IMP53-50981-002. The new IMP52 regulator shares the same package dimensions as the new IMP53-50981-001 regulator shown in TSB-169, but offers the 3/4" NPT fuel inlet and outlet thread form.



**IMP53-50981-002**

Fuel Type.....	LPG Vapor or Natural Gas
Inlet Pressure (maximum).....	+20" w.c. (5.0 kPa)
(emergency exposure limit) .....	+3.0 psi
Nominal Outlet Pressure .....	+3.0" to +6.0" w.c. (0.75 to 1.5 kPa)
HP/kW .....	100hp (74.6 kW)
Operating Temperature Range .....	-40°F to +250°F (-40°C to +121°C)
Mounting Position.....	Vertical (as shown above)
Applications .....	Stationary, Industrial
Certification.....	UL Recognized (file #MH46841) @ +20" w.c. (5.0 kPa)

Part#	Overall Length	Overall Width	Overall Height	Inlet & Outlet NPT	Vent Boss Diameter (2X)
IMP53-50981-002	101.09 (3.98")	98.55mm (3.88")	137.92mm (5.43")	3/4"	1/8"