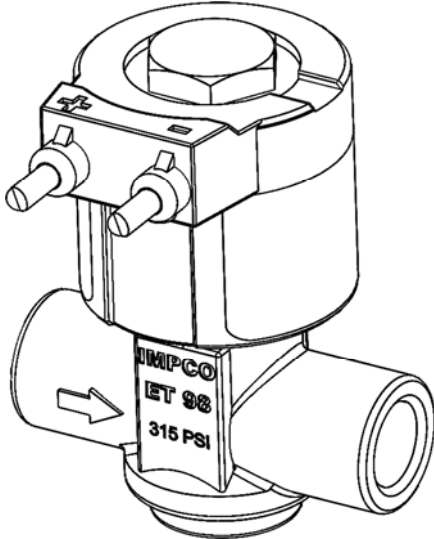
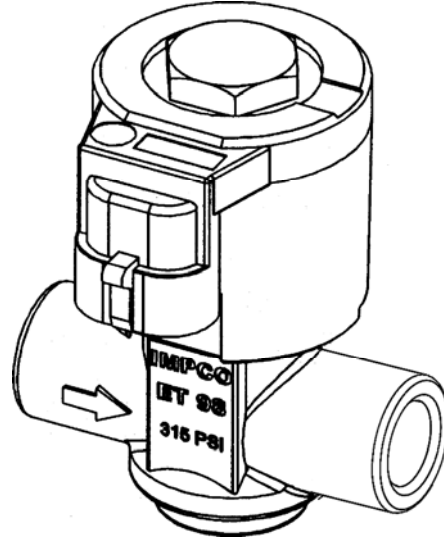


### Change to ET98 Connectors

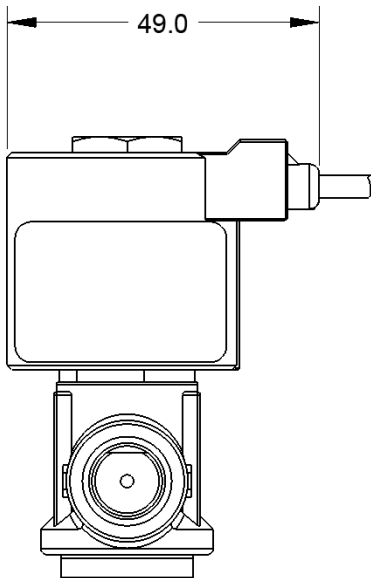
As a quality improvement, the two wire leads on all ET98 fuel Shut-off valves will be replaced by an integrated female connector. A male connector with two wire leads will be included with each valve. The change is effective early 2012. All ET98 part numbers and specification remain unchanged, except for a minor increase in coil width.



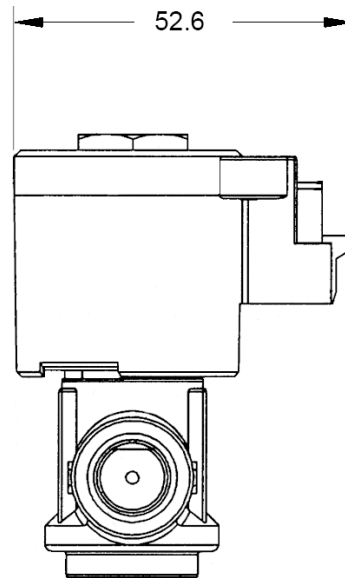
*Original ET98 with wire leads*



*New ET98 with electrical connector*



*Original Profile (49.0mm)*



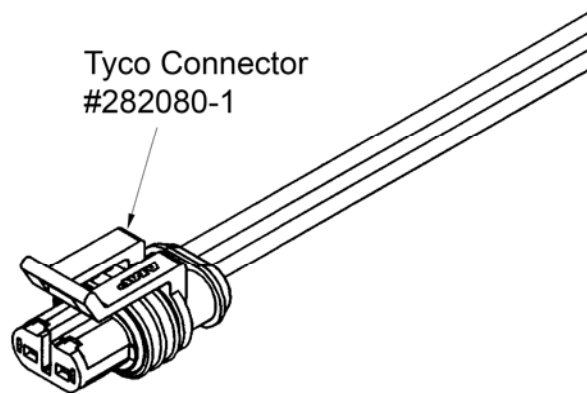
*New Profile (52.6mm)*

*All other dimensions remain unchanged.*

Beginning early 2012, orders for the original part numbers will be filled with the new lockoff (with electrical connector in the solenoid) and will include the wire pigtail connector.

To better service the new lockoff or its electrical connection, both wire pigtail connector and the lockoff (without the wire pigtail connector) are available separately. Refer to the table below for part information:

Original ET98 Lockoff	New Lockoff (solenoid w/female connector)	Description	Wire Pigtail Connector
ET98-50362-001	ET98-52295-001	Female to Male	AW-52815-004
ET98-50362-002	ET98-52295-002	Female to Female	AW-52815-004
ET98-51315-001	ET98-52296-001	Female to Female with Filter	AW-52815-004



***The wire pigtail connector (AW-52815-004) has insulated wire leads approximately 6.3" (159mm) long. The connector is Tyco part number 282080-1.***

