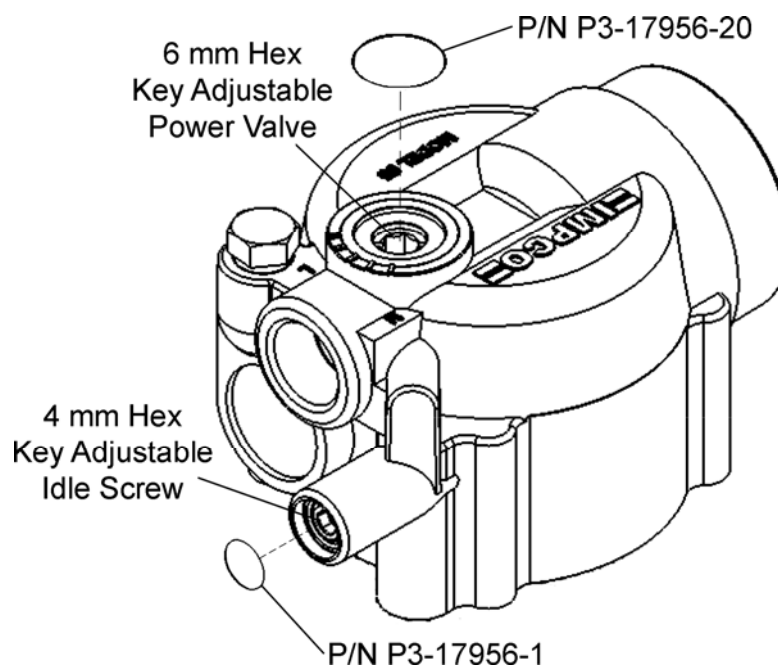


Model 55 Power Valve & Idle Screw Change

This TSB introduces a new Power Valve and Idle Screw design for Model 55 Mixers and Carburetors with 90° Air Horns. This change provides improved sealing, and tamperproof capability to this range of product for emissions compliance. The new Model 55 bodies will require a 6mm hex key or a blade type screwdriver to adjust the Power Valve and a 4mm hex key to adjust the Idle Screw. After the Model 55 Mixer or Carburetor is installed on the engine and adjusted, expansion plugs may be placed over the Power Valve and Idle Screw for tamper resistance if required (not included with mixer).



New Model 55 Carburetor

Both the Power Valve and Idle Screws are integral components of the Mixer body and are not serviceable parts. The change only affects the Power Valve and Idle Screws; all specifications of the Model 55 Mixers and Carburetors, including part numbers, performance, repair kits and nominal dimensions remain unchanged.

The new design only affects Model 55 Mixers and Carburetors with 90° Air Horns and will be implemented as a running change beginning September, 2015. The flow-through CA55-500 and CA55-750 series Mixers and Carburetors remain unchanged and will be modified at a later time.