



ALUMINUM PIPING SYSTEM

Five Options, Many Applications



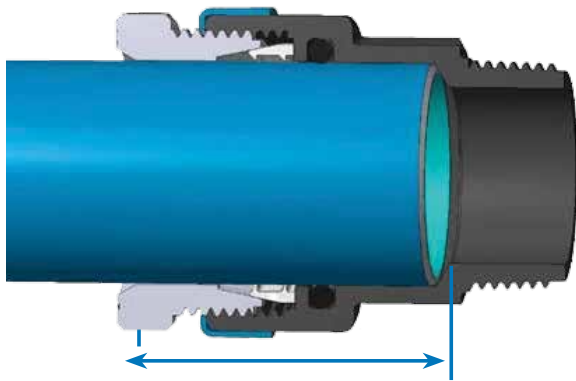
13 Pipe Sizes from 3/4" to 10"

No Crimping, Grooving or Special Tools
Pressures up to 1015 PSI • Exceptionally Secure Joints

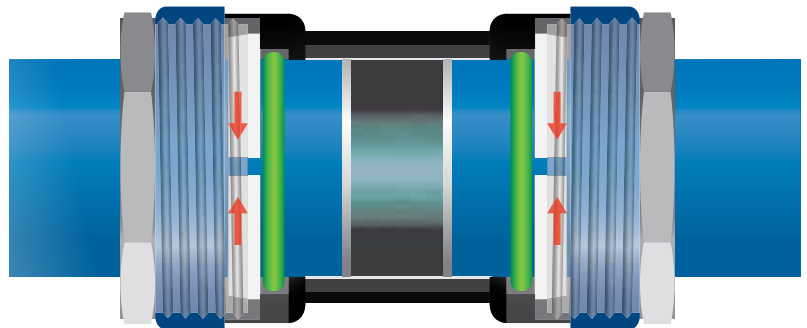


Dynamic Gripping Action ensures the pipe cannot separate from the fittings.

Check out the Assembly Video



Deep insertion insures a secure joint



Fewer Hangers = Faster Installs
Unipipe only requires (2) hangers per stick

The Best Piping System on the Market

Compressed Air | Nitrogen & Inert Gases | Vacuum | High-Pressure | Oil & Fluids

919-556-4342
sales@wedobigair.com
www.powerinair.com



6310 Rogers Rd.
Rolesville, North Carolina

Branch & Saddle Branch

Add a drop or new branch anywhere, anytime.

Branch



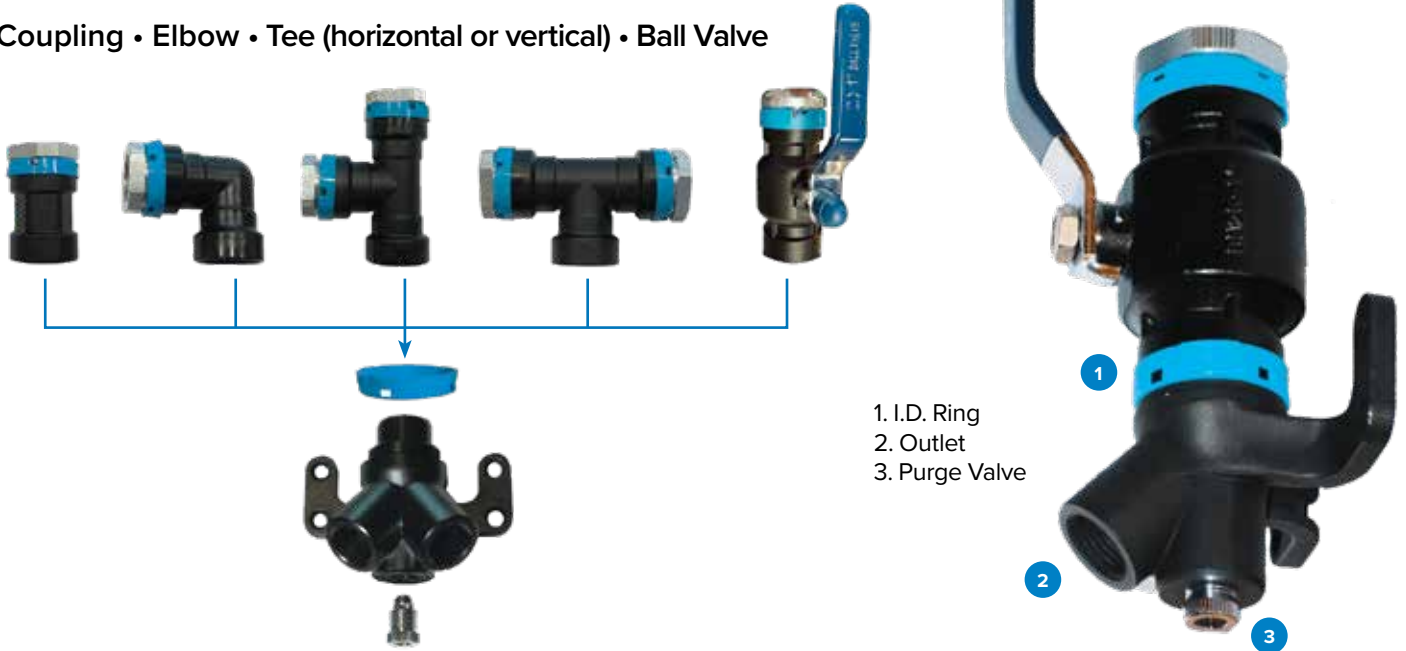
Saddle Branch



Wall Mounted Drop End

The versatile, single or double wall outlet can be direct coupled with any of these fixtures:

Coupling • Elbow • Tee (horizontal or vertical) • Ball Valve



Piping for High Pressure Applications

Rated to 1015 PSI

High Pressure Air

High Pressure Nitrogen

Oils, Fluids, Coolants

More than 2x wall thickness of UnipipeAIR

The Only High Pressure Aluminum Piping System on the Market!

UnipipeHP



UnipipeOIL