

AMBULATORY ACCESSIBLE TOILET COMPARTMENT (Fig. 10) has a depth of 60 inches (1525mm) minimum with 2009 ICC/ANSI Standards retaining the 36 inches (915mm) absolute width dimension (the 2010 ADA Standards allow a range of 35 inches (890mm) to 37 inches (940mm) maximum width). Doors must not swing into the minimum required compartment area. Door pull hardware must be installed on both sides of the door near the latch. The toilet must be located on the back wall with the toilet centerline of 17 inches (430mm) minimum and 19 inches (485mm) maximum from the side wall or partition. Grab bars must be provided on both sides per side wall requirements. Install coat hooks and shelves to complete the design.

TOE CLEARANCE (Figs. 11a, 11b) of 9 inches (230mm) minimum above the finish floor is required under the front partition and one side partition of all accessible compartments. The toe clearance must extend 6 inches (150mm) deep minimum beyond the compartment-side face of the partition. Toe clearance at the front partition is not required if the depth of the compartment is greater than 62 inches (1575mm) deep with a wall-hung toilet or 65 inches (1650mm) deep with a floor-mounted toilet. Toe clearance at the side partition is not required in a compartment greater than 66 inches (1675mm) wide.

Fig. 10 Ambulatory Accessible Toilet Compartment.

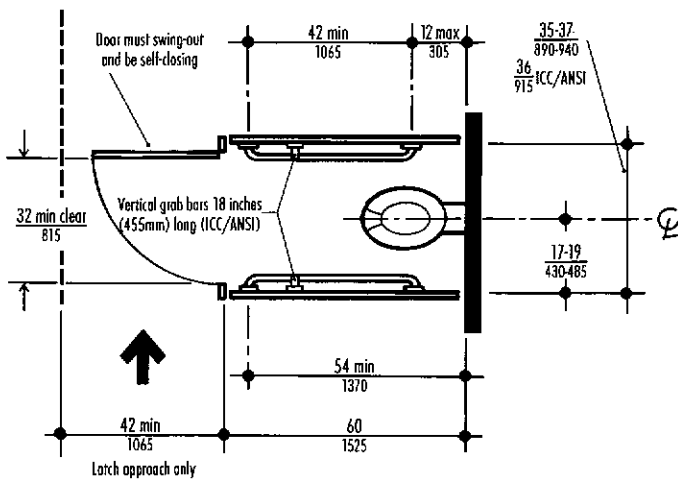


Fig. 11 Toe Clearance Under Partitions.

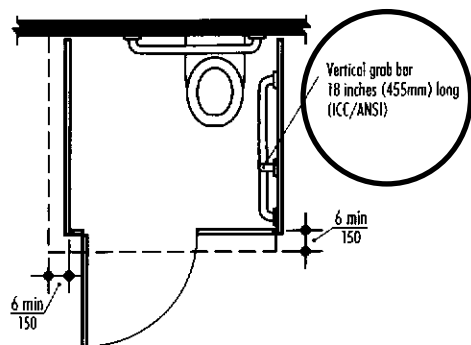


Fig. 11a Horizontal Toe Clearance.

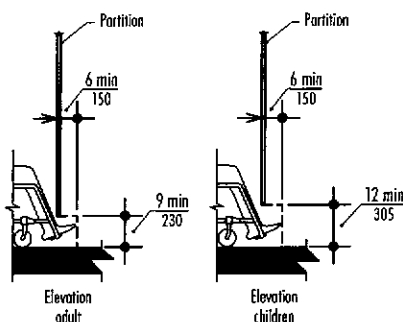


Fig. 11b Vertical Toe Clearance.

DOORS on all accessible toilet compartments must meet 2010 ADA Standards, including door pull hardware and self-closer. There must be a clear width opening of 32 inches (815mm) minimum with the door open 90 degrees. Out-swinging doors approached from the latch side must have an access aisle 42 inches (1065mm) wide minimum; other approaches require an access aisle 48 inches (1220mm) wide minimum. It is recommended that all out-swinging doors close completely as a partially open door may encroach into the required maneuvering clearances and impede access. An alternate door location is shown in (Fig. 8). Please note that the 2009 ICC/ANSI Standards offer an array of door location and dimension options for accessible compartments.

TOILETS (Fig. 12) with undercut bowls are recommended. Flush controls such as levers must meet 2010 ADA Standards for controls and operable parts and reach range requirements. Flush controls must be located on the open side of the toilet, except in the ambulatory compartments. Providing an ideal seat height in multi-use facilities is a design challenge as people have varying abilities and needs. The height of toilet seats above the finish floor must be 17 inches (430mm) minimum to 19 inches (485mm) maximum measured to the top of the seat. Toilet seats cannot be sprung to return to lifted position. Refer to the table on page 4 to reference requirements for children.

GRAB BARS ARE REQUIRED IN ALL ACCESSIBLE TOILET COMPARTMENTS

GRAB BARS with circular cross-sections must have an outside diameter of 1-1/4 inches (32mm) minimum and 2 inches (51mm) maximum. Non-circular profiles such as ovals and rounded rectangles are allowed. Also note that maximum and minimum horizontal mounting heights of grab bars are set to the top of the gripping surface instead of the centerline. The sidewall grab bar next to an accessible toilet in a compartment must be 42 inches (1065mm) long minimum (48 inch recommended grab bar length eliminates many installation compliance problems) located 12 inches (305mm) maximum from the rear wall and extending 54 inches (1370mm) minimum from the rear wall (Fig. 12a). The location of the 36 inch (915mm) grab bar required to be mounted on the rear wall behind an accessible toilet is now more clearly defined with the inclusion of a 24 inch (610mm) minimum requirement to the open side of the fixture centerline (Fig. 8). Grab bar length and location are now the same regardless of whether the installation is in a toilet compartment or in an individual toilet room or bathroom.

The 2009 ICC/ANSI Standards now require a vertical 18 inch bar located 39 to 41 inches (990 to 1040mm) off of the back wall (Fig. 12a)

Refer to the table on page 4 to reference requirements for children.

ACCESSORIES COMPLETE THE SPECIFICATION OF TOILET COMPARTMENT INSTALLATIONS

A number of accessories should be included in every toilet compartment. All accessories must be located on a side wall or partition, preferably the one nearest the toilet in accessible compartments, and just in front of the leading edge of the toilet seat to ensure universal usability.

Regardless of location of dispenser outlets, no part of any accessory that projects from the wall or partition can be installed so as to interfere with maneuvering space or access to grab bars. If mounted above grab bars, no part of a protruding accessory can extend closer than 12 inches (305mm) to the top of the grab bar (Fig. 12f). The space between the grab bar and projecting objects below and at the ends shall be 1-1/2 inches (38mm) minimum (Fig. 12f). The operating mechanisms and accessible openings of most units should be located 18 inches (455mm) minimum to 48 inches (1220mm) maximum above the finish floor, except that the 2010 ADA Standards allow the outlet for toilet paper dispensers be mounted no lower than 15 inches (380mm) above the floor. Recessed objects above the grab bar are permitted within the 12 inch (305mm) area (Fig. 12g). The 2009 ICC/ANSI Standards allows recessed dispensers to project as much as 1/4 inch (6.4mm).

Fig. 12 Toilets, Grab Bars and Accessory Locations.

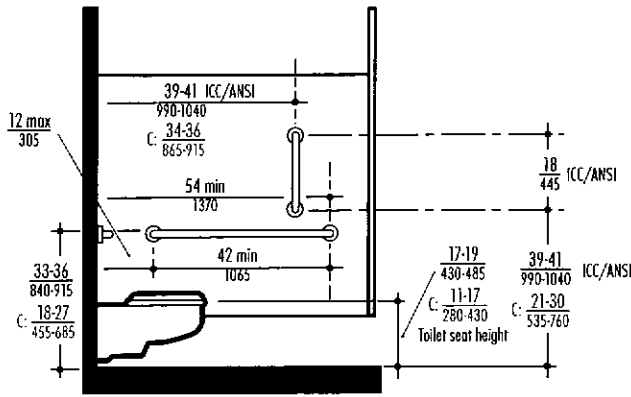


Fig. 12a Seat Height and Grab Bar Locations.

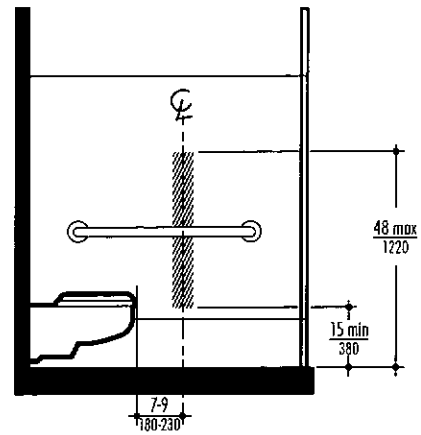


Fig. 12b Outlet Location for Toilet Paper Dispenser (2010 ADA Standards).

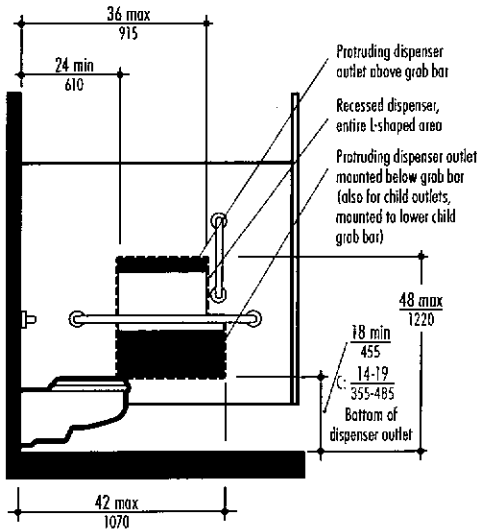


Fig. 12c Outlet Location for Toilet Paper Dispenser (ICC/ANSI).

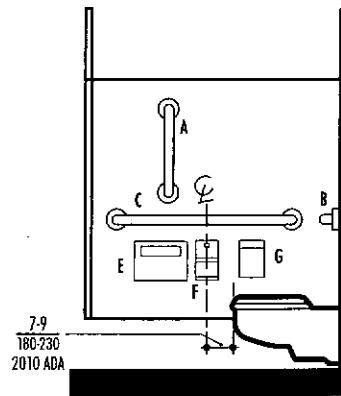


Fig. 12d Surface Mounted Dispensers.

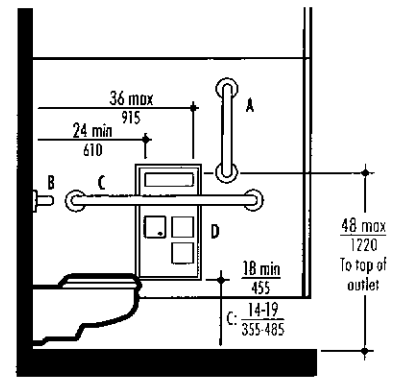


Fig. 12e Recessed Dispensers (ICC/ANSI).

LEGEND

- A B-5806 x 18 Vertical Grab Bar
- B B-5806 x 36 Horizontal Grab Bar
- C B-5806 x 42 Horizontal Grab Bar
- D 819839 Partition-Mounted Toilet Seat Dispenser, Sanitary Napkin Disposal, Toilet Tissue Dispenser on right when facing unit with Theft-Resistant Spindle (serves two compartments)
- E B-221 Surface-Mounted Toilet-Seat-Cover Dispenser (mounts below grab bar)
- F B-2888 Surface-Mounted Multi-Roll Toilet Tissue Dispenser (mounts below grab bar)
- G B-270 Surface-Mounted Sanitary Napkin Disposal (mounts below grab bar)

ROLL TOILET TISSUE DISPENSERS that do not control delivery or do not allow continuous paper flow are required in all accessible toilet compartments. The 2010 ADA Standards require that roll toilet tissue dispensers must be installed with the dispenser centerline 7 inches (180mm) minimum and 9 inches (230mm) maximum in front of the leading edge of the toilet (Figs. 12b, 12d). The 2009 ICC/ANSI Standards establish a different measurement procedure, locating the dispensers between 24 inches (610mm) minimum and 42 inches (1070mm) maximum from the rear wall of the toilet compartment (Figs. 12c, 12e). The 2009 ICC/ANSI Standards locate the outlet of the dispenser no lower than 18 inches (455mm) above the finish floor (Figs. 12c, 12e). The 2010 ADA Standards allow the outlet on the roll toilet tissue dispenser to be mounted as low as 15 inches (380mm) above the finish floor (Fig. 12b).

SANITARY NAPKIN DISPOSALS are recommended in all women's toilet compartments. They should be within reach from a sitting position, and it is recommended that they be mounted below grab bars (Figs. 12d, e).

TOILET SEAT COVER DISPENSERS are an optional hygienic amenity that can easily be provided in all toilet compartments. The opening for toilet seat covers needs to be mounted between 15 inches and 48 inches (380 and 1220mm) above the floor, in an accessible location in the accessible compartment, typically away from the vicinity of the toilet itself (Figs. 12c, d, e).

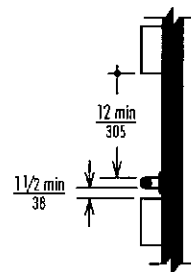


Fig. 12f Protruding Objects Mounted Near Grab Bars.



Fig. 12g Recessed Objects Mounted Near Grab Bars.

COMBINATION UNITS can organize and unify installations by incorporating several accessories at one convenient location, such as toilet tissue dispensers, toilet-seat-cover dispensers, and sanitary napkin disposals. Recessed units should be installed in side walls or partitions with grab bars (Fig. 12e). Note that recessed units are allowed to project only 1/4 inch.