

Fluid Flow Controls

Fluid Flow Control valves

1/2 FP

Temperature protection valve

Phone: 267-221-6888

Email: Salesinfo@www.fluidflowcontrols.com

Design Features

- Choice of body materials
- Fast actuating Thermal element
- Stainless Steel and Brass internal parts
- Compact size
- Very quick reliable operation
- Easy Installation and Maintenance
- Corrosion resistant components

Benefits

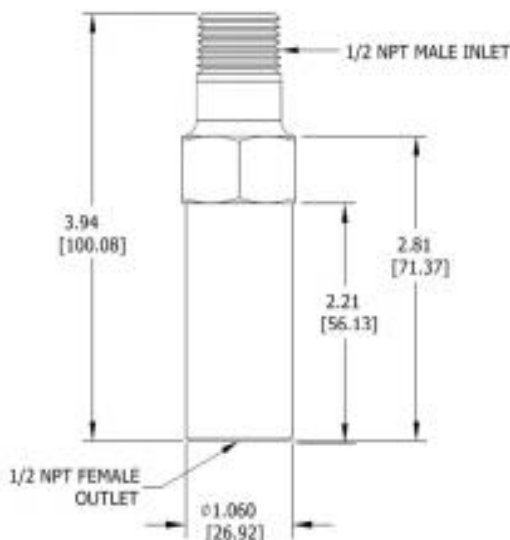
- Very fast response
- Prevents piping and systems from freezing
- Self-actuating no air or electric required



Valve Operation

Model 1/2FP35 starts to open when the valve senses fluid temperature nearing 39F (3.9C). Valve will be fully open at 35F (1.6C). As fluid temperature rises the valve will close.
(Model FP40 starts to open near 43F (6.1C) and full open at 40F (4.4C))

Dimensions



Valve Selection

Model #	Material	Temp Set Point
1/2FPB-35	B	35F (1.7C)
1/2FPB-40	B	40F (4.4C)
1/2FPS-35	S	35F (1.7C)
1/2FPS-40	S	40F (4.4C)

B=Brass S=303Stainless Steel

35= Valve full open at 35deg F (1.7 C)

40= Valve full open at 40deg F (4.4 C)

Note: Contact us if you need a custom set point.