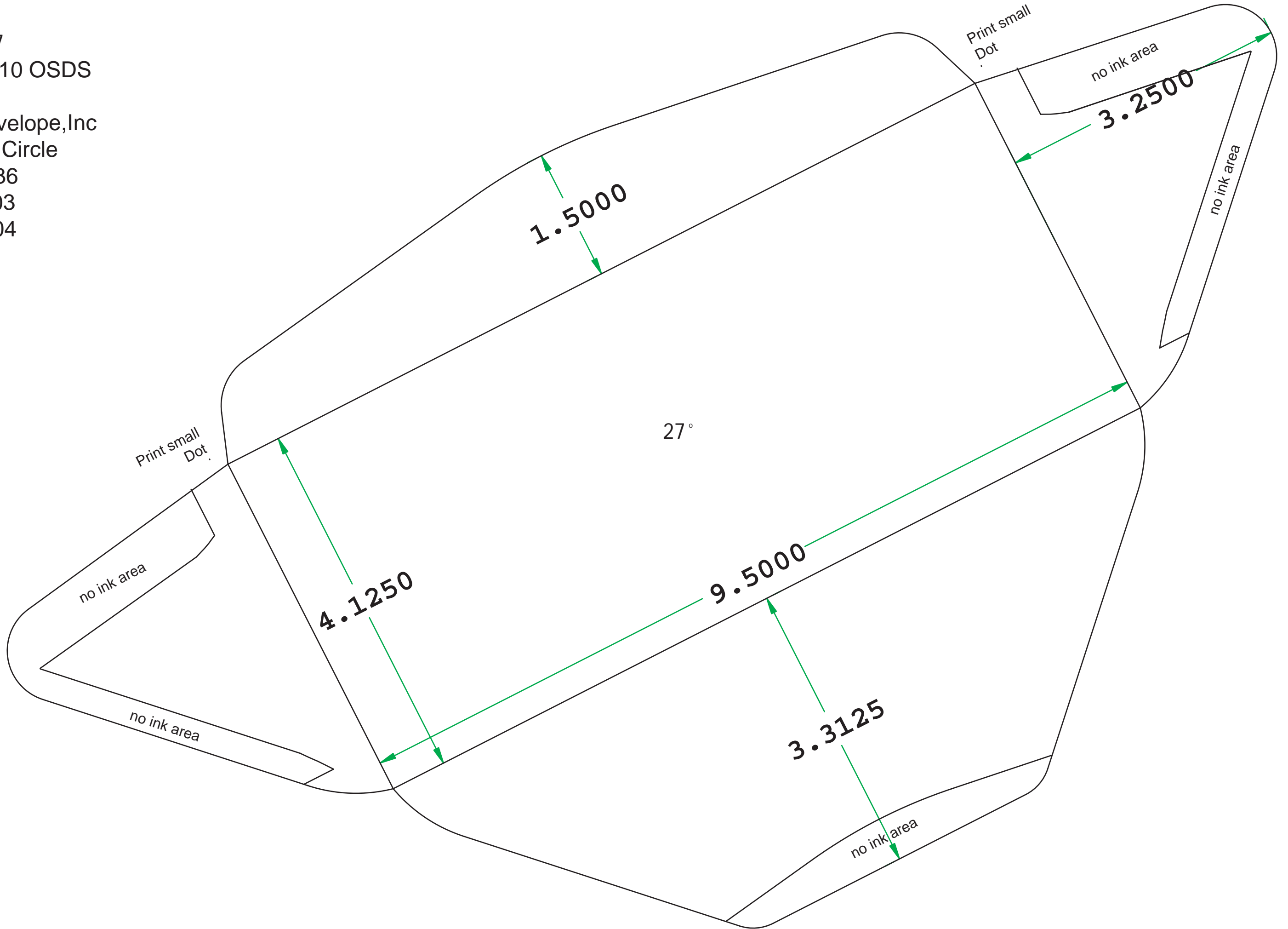


17"

Sheet Size 11x17
Envelope Size # 10 OSDS
#- Out- 1
Southeastern Envelope, Inc
4387 Commerce Circle
Atlanta, GA 30336
TEL:404-699-0103
FAX:404-699-0104

11"



Guide

Gripper