

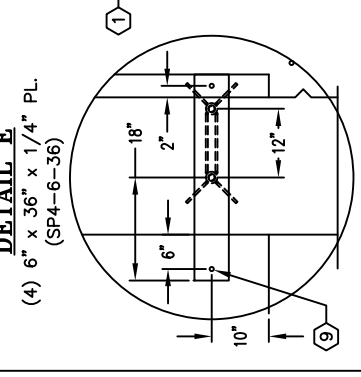
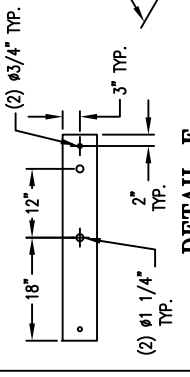
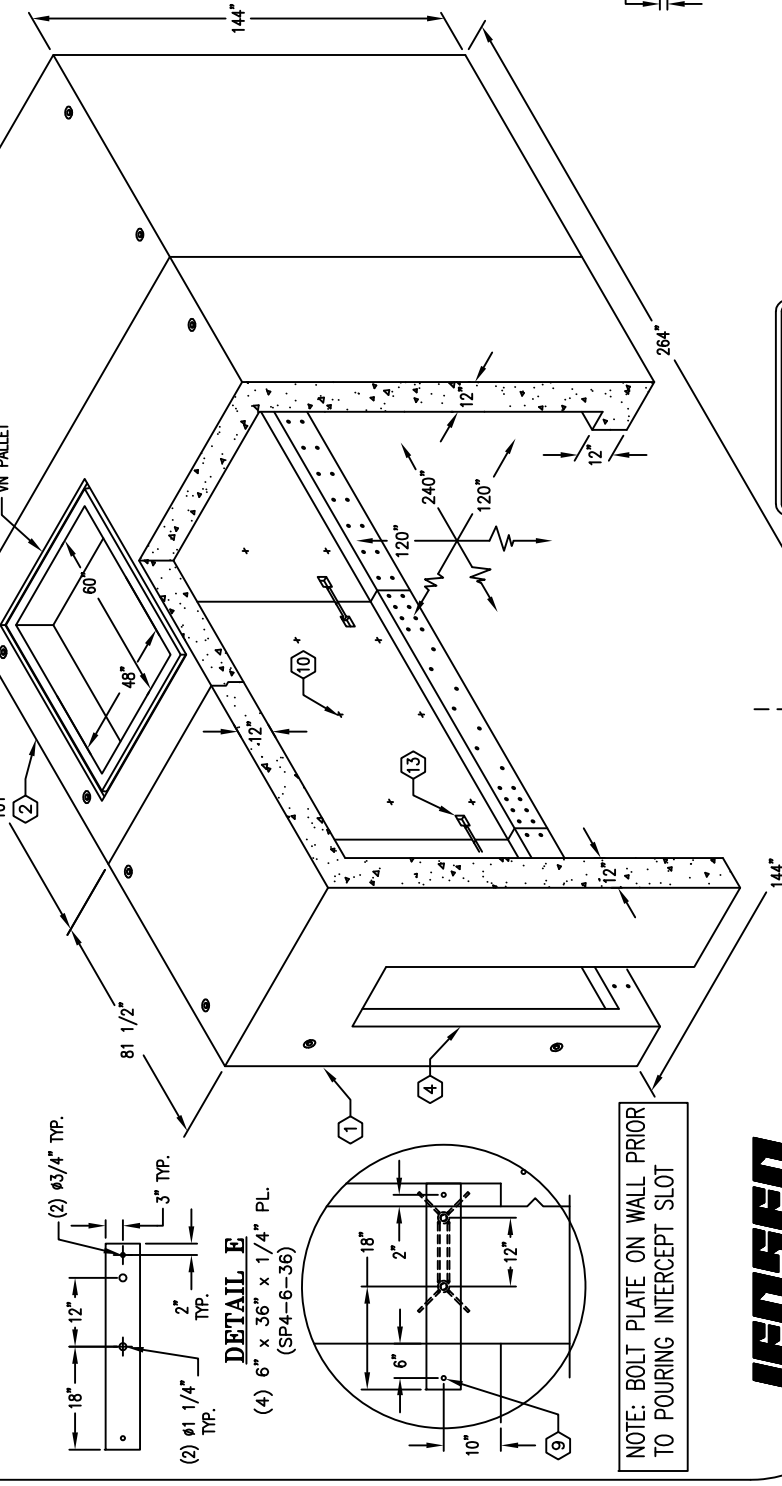
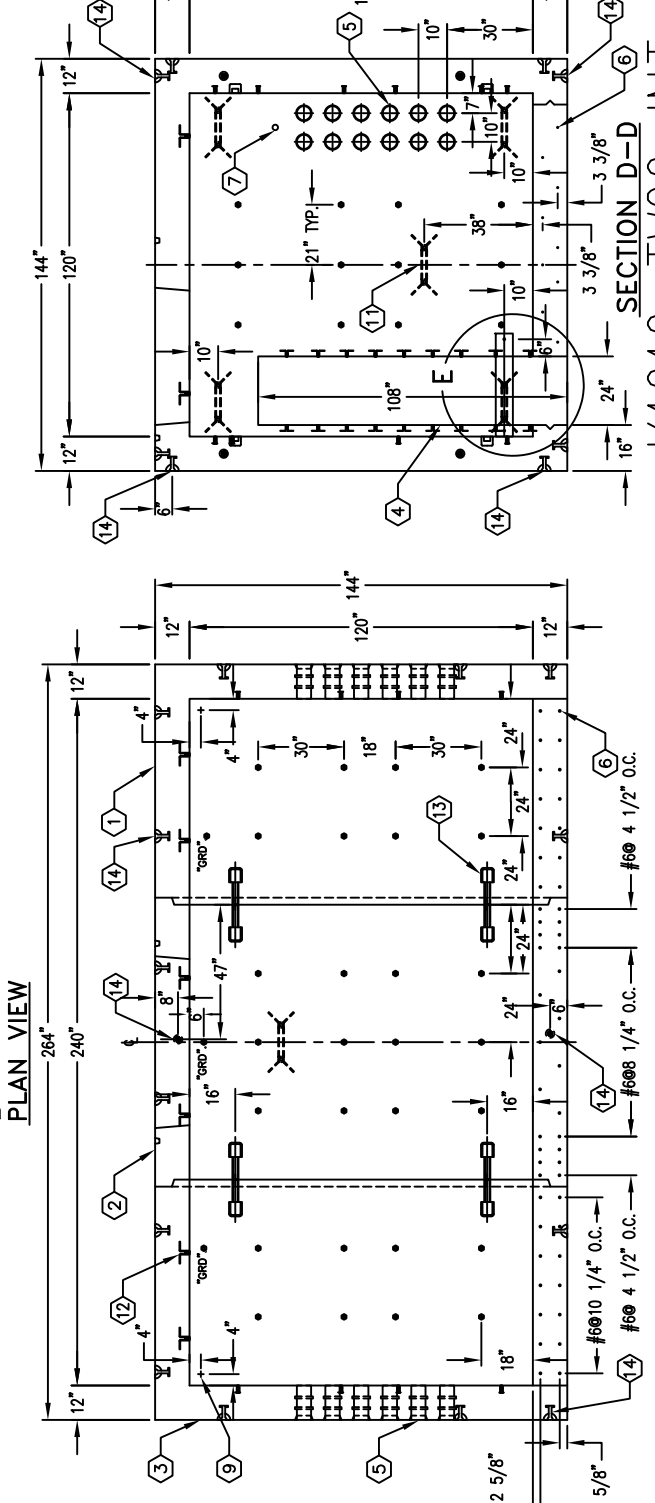
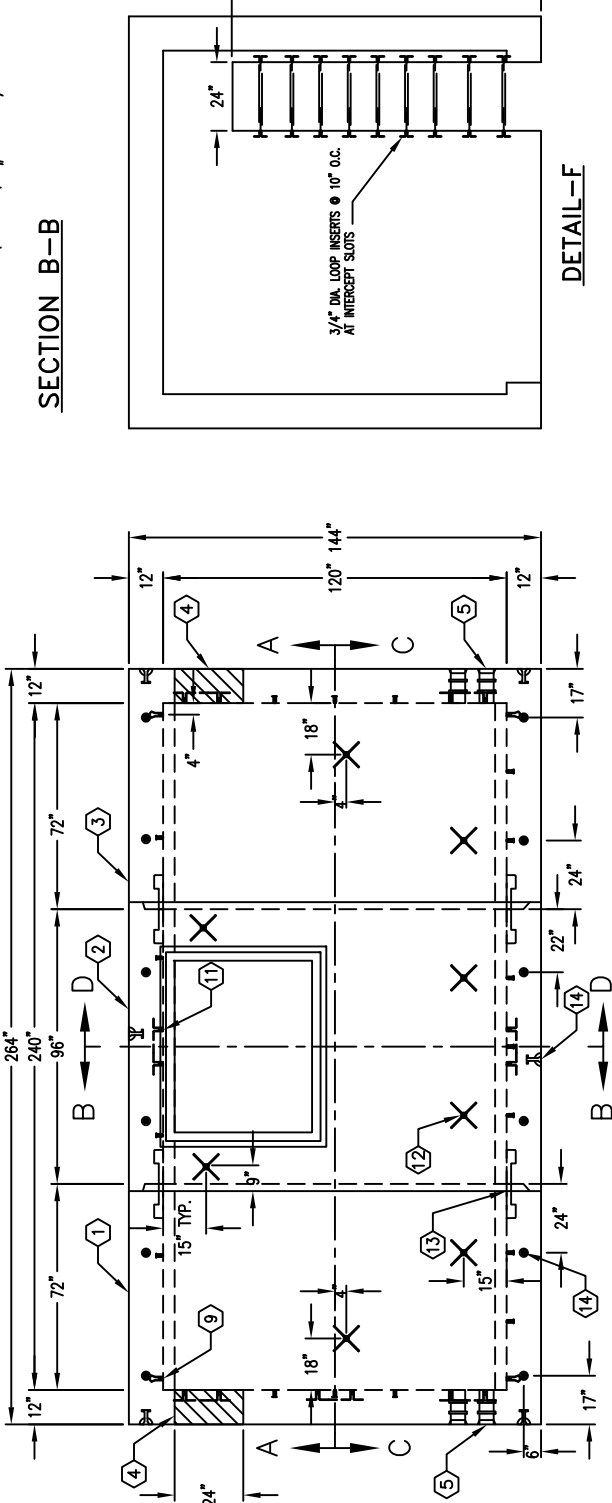
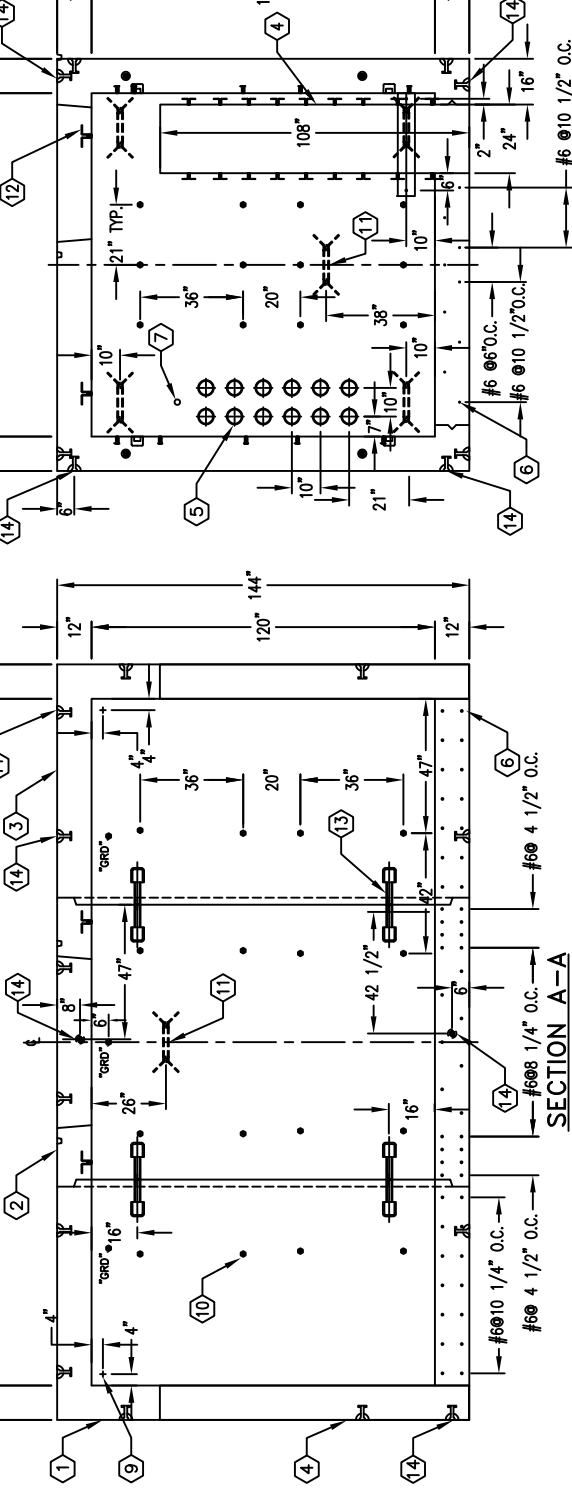
10'-0" x 10'-0" x 20'-0" LONG INTERCEPT TUNNEL VAULT

ITEM PART NO.	DESCRIPTION	WEIGHT/MOUNT
1	TV1010-INT-E72-A-11 INT. 72" END SECTION 24" x 108" SLOT	52,800 lbs
2	TV1010-INT-C96-11 96" INT. CENTER SECTION	38,800 lbs
3	TV1010-INT-E72-B-11 INT. 72" END SECTION 24" x 108" SLOT	52,800 lbs
4	1010-INT-E72-B-11 INT. 72" W x 108" H INTERCEPT SLOT.	(1) CORE EACH
5	55-30-52 5" DIA. CONTERM	(12) CORE EACH
6	55-10-620 3/4" GALV FERRULE LOOP INSERT W/ 3/4" DIA x 18" THREAD REBAR DOWEL	(37) EACH CORE
7	22-30-01 1/2" DIA. SCH. 40 PVC CONDUIT, CAPPED FLUSH WITH OUTSIDE	(46) CORE
8	55-10-425 1/2" THREADED BRONZE GROUND INSERT WELD TO REBAR	(2) CORE EACH
9	55-10-422 1/2" LOOP INSERT	(2) CORE EACH
10	55-10-424 1/2" PLASTIC INSERT	(4) CORE/2) SHELL EACH
11	55-10-855 1" DOUBLE COIL THREADED INSERT	(24) CORE EACH
12	55-10-850 1" SINGLE COIL THREADED INSERT	(20) CORE
13	BRK-TV BOLT UP CASTING WIRECESS	(8) CORE
14	55-20-813 8 TON x 13-3/8" GALV. RSS FOR HANDLING	(4) CORE EACH
		(4) SHELL & (4) SURFACE
		(8) SHELL

THE FOLLOWING MATERIAL TO BE SHIPPED WITH VAULT:

- (a) 1/2" x 6" GALV. "J" BOLTS (4 REQ'D).
- (b) 18 HOLE CABLE RACKS (9 REQ'D). CABLE RACKS SHALL BE ATTACHED TO END & SIDE WALLS AT MIDDLE & BOTTOM ROW OF 1/2" INSERTS PROVIDED.
- (c) 1/2" x 2 1/2" S.S.H.H. BOLTS & WASHER. (18 REQ'D).
- (d) 7/8" x 1 3/4" CONSEAL GASKET (180 FT. REQ'D).
- (e) 3/4" x 20 BOLT COIL PYD (16 REQ'D).
- (f) 3/4" NUT HEX COIL PYD W/WASHER (32 REQ'D).
- (g) 7/8" DIA x 9" GALVANIZED PULL IRON (4 REQ'D).
- (h) REBAR INTERCEPT PACKAGE (SEE DRAWING KPKINT-TV101020-11).
- (i) 55-10-855 DOUBLE COIL INSERT (2 REQ'D).
- (k) 6" x 36" x 1/4" PLATE SP4-6-36 PER DETAIL E (4 REQ'D).

- DESIGNED IN ACCORDANCE WITH AASHTO H-20-44 BRIDGE LOADING USING 6,500 PSI COMPRESSIVE STRENGTH CONCRETE AND 60,000 PSI YIELD STRENGTH GRADE 60 A-706 STEEL REINFORCEMENT PER CALCS. #33767.
- VAULT TO BE PLACED ON A 6" BASE OF CRUSHER RUN FOR EASE OF INSTALLATION AND EVEN LOAD DISTRIBUTION.
- LIMIT OF COVER OVER ROOF SECTION IS 1'-6" TO 4'-0".
- ALL WALLS AND CEILING SHALL BE PAINTED WHITE.
- USE 5,500 PSI CONCRETE FOR CAST-IN PLACE CONCRETE.



NOTE: BOLT PLATE ON WALL PRIOR TO POURING INTERCEPT SLOT



K1010-TV20-INT-11
PER ENDSPEC. U.S. 400
05-08-14

#	DATE	DESCRIPTION	BY
E	08-05-14	REVISED PLATE SIZE FROM 40" TO 36" ON DETAIL-E	P
F	10-30-17	MOVED ITEM 11 FROM 7" TO 10" ON END WALLS	SMG
D	08-01-14	ADDED NOTE (I)	S