

DESIGN NOTES

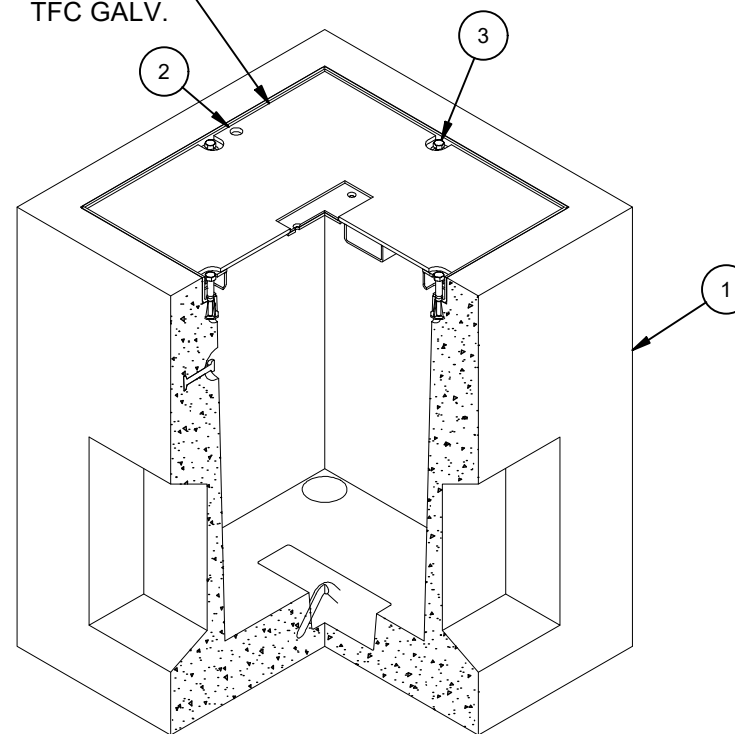
- DESIGNED IN ACCORDANCE WITH H-20-44 BRIDGE LOADING USING 5,500 PSI COMPRESSIVE STRENGTH CONCRETE AND 60,000 PSI YIELD STRENGTH ASTM A-706 STEEL REINFORCEMENT PER CALCS. #32362.
- MINIMUM EXCAVATION SIZE: 4'-0" X 4'-0" X DEPTH REQ'D.
- COVER DESIGN FOR INCIDENTAL TRAFFIC.
- VAULT TO BE PLACED ON A MIN. 6" BASE OF CRUSHER RUN FOR EASE OF INSTALLATION AND EVEN LOAD DISTRIBUTION.
- ALL PARTS TO BE STENCILED: MFG DATE / JOB NUMBER / PRODUCT ID / WEIGHT.
- FOR COMPLETE DESIGN AND PRODUCT INFORMATION CONTACT JENSEN PRECAST.

COVER:
MARKED "AS REQ'D".

BILL OF MATERIALS

ITEM	UNIT QTY	QTY	PART NUMBER	DESCRIPTION	MASS (lb)
1	1	1	100006577	Vault 2424x36 Rect. Bottom Section Knockout Sump Cast-In Frame	2166
2	1	1	100006607	DAS1-SD-2424-D5-DP-G-FONT	110
3	1	4	100004205	BOLT HEX 1/2-13 UNC 3 304SS	
4	1	1	100006739	FONTANA NAME PLATE SS BLANK	
5	1	1	100007650	NAME PLATE HARDWARE KIT	

STEEL COVER 2424
TFC GALV.



ISOMETRIC VIEW

LIFTING NOTES

- FIELD INSTALLATION: PLANT DEMOLDING: MINIMUM HANDLING CONCRETE STRENGTH F'c = 5500 PSI RIGGING EQUALIZER REQUIRED TO EQUALIZE LOAD TO 2 LIFTING POINTS WITH A SLING ANGLE BETWEEN 60° AND 90°

BURY DEPTH:	0.0' - 0.0' to Top
WATER LEVEL:	3.0'
DESIGN SPEC:	ACI 318, ASTM C857
AGENCY:	
APPROX. WEIGHT:	2277.85 Lbs
LOADING SPEC:	A-16 (AASHTO HS20-44)
AGENCY SPEC:	

REVISION HISTORY

REV	DESCRIPTION	DATE	APPROVED
B-1	INITIAL RELEASE INVENTOR	3/27/2024	

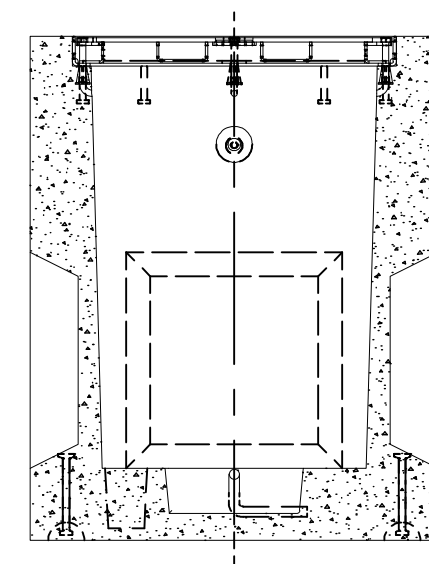
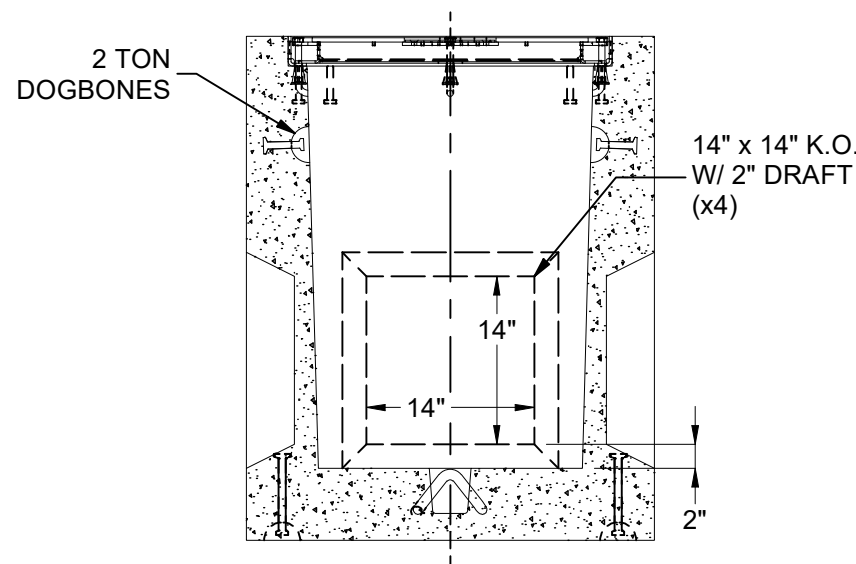
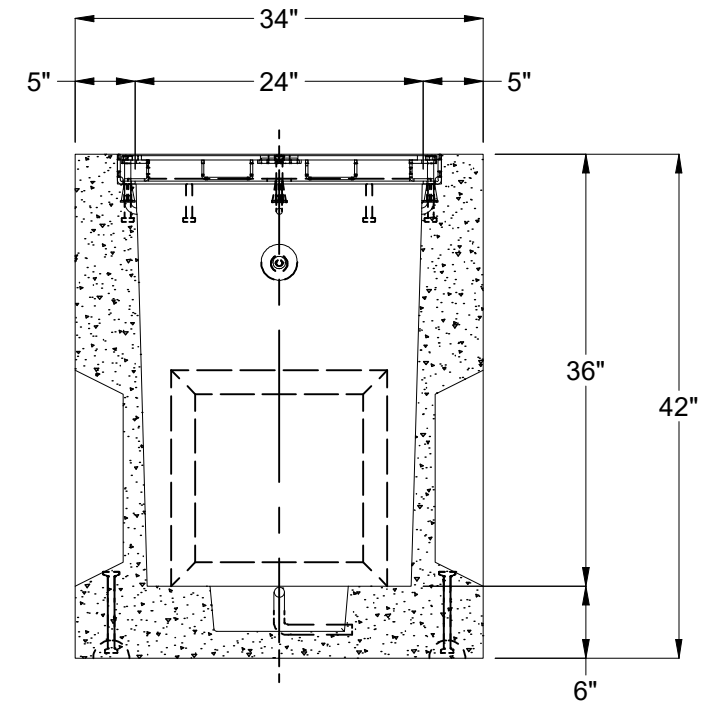
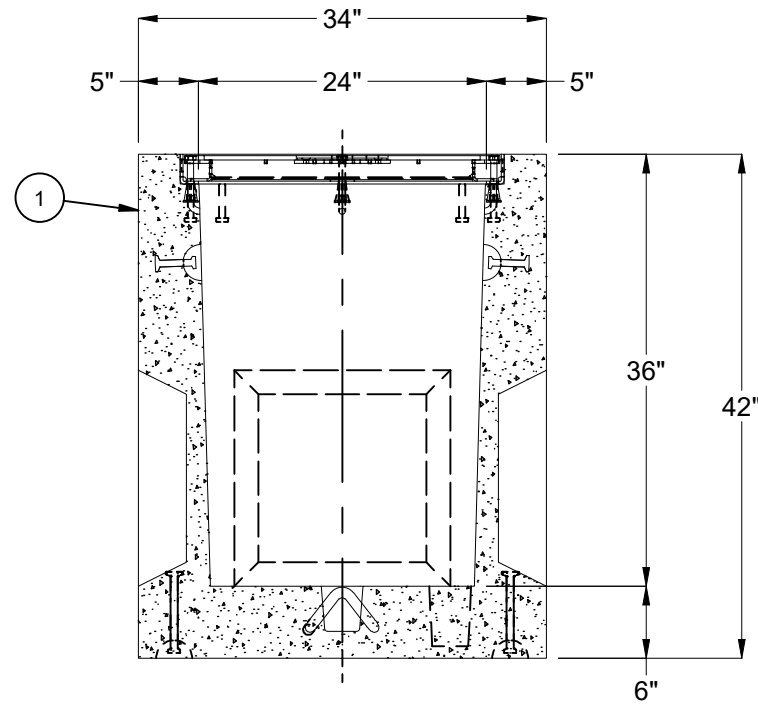
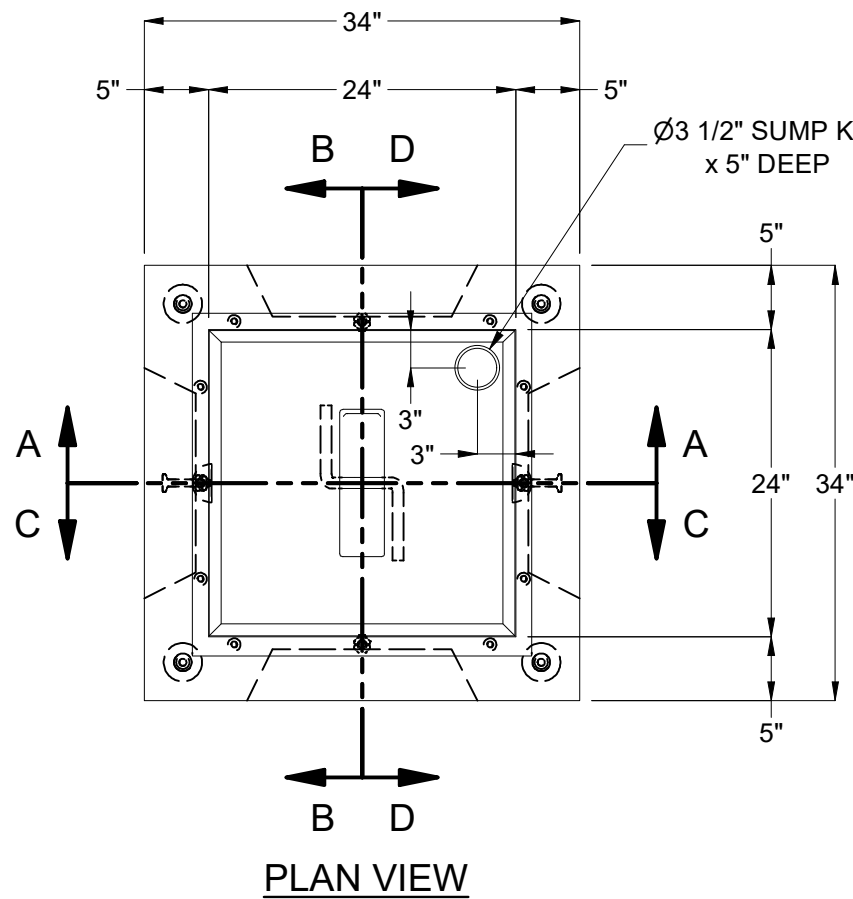
DESCRIPTION:	Vault Layout 2424x36 Knockout Sump 24"x24"C Traffic	REV:	B-1
LAYOUT REVIEW			
PART NUMBER:	100010264	DRAWN BY:	J. Prado
CREATED:	3/26/2024	MODIFIED:	3/27/2024
			SHEET:
			1 OF 2



WWW.JENSENPRECAST.COM

©2024 Jensen Precast- All rights reserved. All materials appearing as Jensen Precast documents and the like are proprietary work product and are protected under U.S. copyright and other laws. Unless in conjunction with business conducted with Jensen Precast, any use of Jensen Precast work product without express, written consent is prohibited, and recipient is prohibited from distributing any and all work product to non-approved third parties under penalty of civil action.

100010264.idw



BURY DEPTH:	0.0' - 0.0' to Top
WATER LEVEL:	3.0'
DESIGN SPEC:	ACI 318, ASTM C857
AGENCY:	
APPROX. WEIGHT:	2277.85 Lbs
LOADING SPEC:	A-16 (AASHTO HS20-44)
AGENCY SPEC:	

JENSEN PRECAST EST. 1968

WWW.JENSENPRECAST.COM

©2024 Jensen Precast- All rights reserved. All materials appearing as Jensen Precast documents and the like are proprietary work product and are protected under U.S. copyright and other laws. Unless in conjunction with business conducted with Jensen Precast, any use of Jensen Precast work product without express, written consent is prohibited, and recipient is prohibited from distributing any and all work product to non-approved third parties under penalty of civil action.

DESCRIPTION:	Vault Layout 2424x36 Knockout Sump 24"x24"C Traffic		REV:	B-1
	LAYOUT DRAWING			
PART NUMBER:	100010264	DRAWN BY:	J. Prado	
CREATED:	3/26/2024	MODIFIED:	3/27/2024	
			SHEET:	2 OF 2