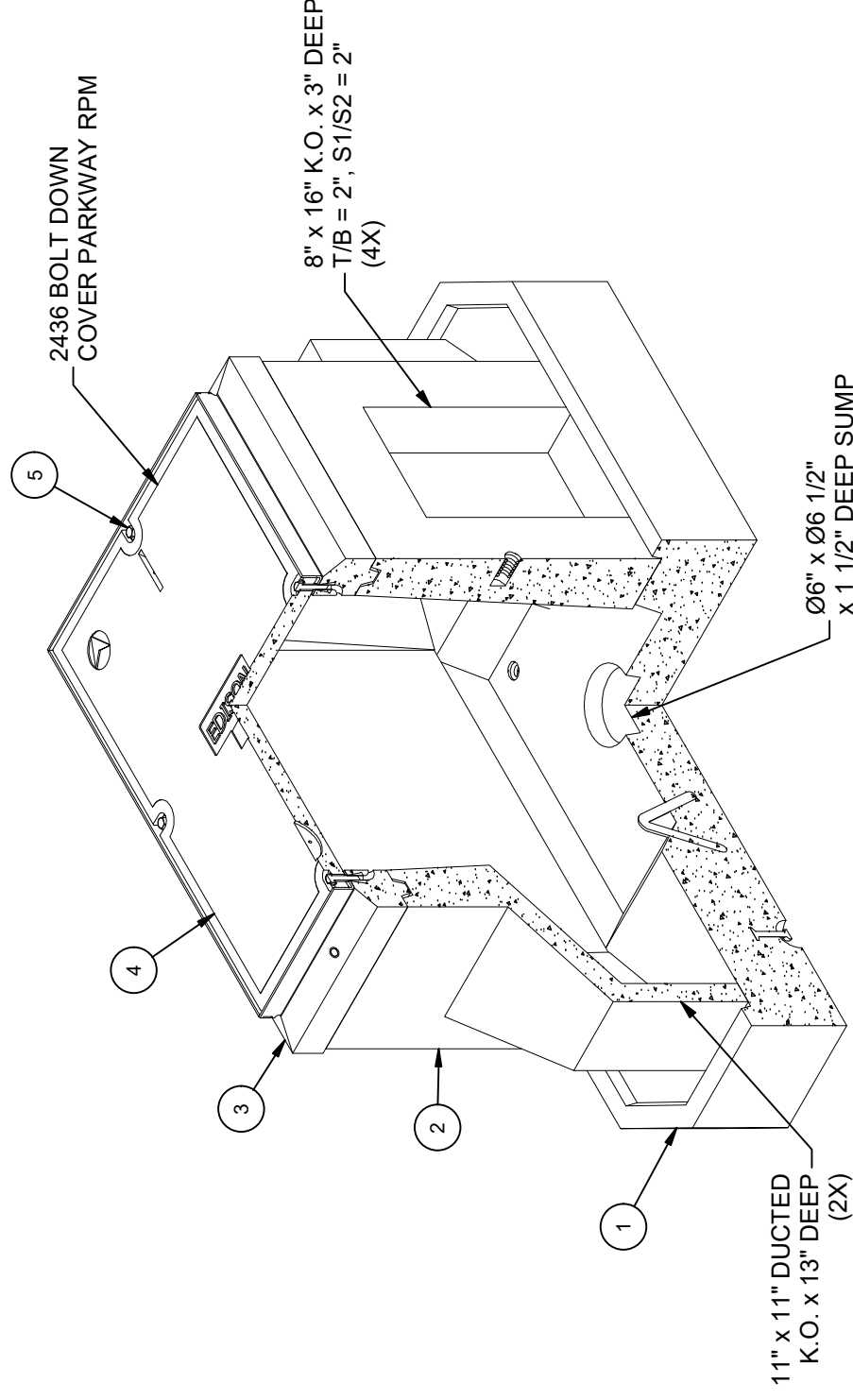


DESIGN NOTES

- DESIGNED IN ACCORDANCE WITH AASHTO HS20-44 TRAFFIC BRIDGE LOADING USING 5,500 PSI COMPRESSIVE STRENGTH CONCRETE AND 60,000 PSI YIELD STRENGTH ASTM A-706 STEEL REINFORCEMENT PER CALCS. #31602.
- COVER DESIGNED FOR 300 PSF, OR 600 lb LOAD ON 5.5" x 5.5" FOOTPRINT RESTRICTED TO AREAS OF PEDESTRIAN USE AND LIGHT MAINTENANCE VEHICLES USE, AND OTHER AREAS THAT ARE INACCESSIBLE TO ALL OTHER VEHICLE TRAFFIC.
- MINIMUM EXCAVATION SIZE: 4'-0" X 6'-10" X DEPTH REQ'D.
- VAULT TO BE PLACED ON A MIN. 6" BASE OF CRUSHER RUN FOR EASE OF INSTALLATION AND EVEN LOAD DISTRIBUTION.
- ALL PARTS TO BE STENCILED: MFG DATE / JOB NUMBER / PRODUCT ID / WEIGHT.
- FOR COMPLETE DESIGN AND PRODUCT INFORMATION CONTACT JENSEN PRECAST.

BILL OF MATERIALS

ITEM	UNIT QTY	QTY	PART NUMBER	DESCRIPTION	MASS (lb)
1	1	1	100012119	Intercept 2436x8 Slab Bottom Sump Edison	1559
2	1	1	100012237	Intercept Riser 2436x27 Knockout Ducted Edison	1275
3	1	1	100012124	Vault 2436x6 Rect. Top Section 24"x36"C LADWP/EDISON	217
4	1	1	100007027	COVER 2436 POLYMER EDISON	163
5	1	4	100008105	PENTA BOLT 1/2-13 UNC 2-1/2 304SS W/CAPWASH	
6	1,000 ul	1,000 ul	100005749	SEALANT JOINT BUTYL RUBBER ASTM C-990 AND M198 CS-102 1IN EQUIV X14.5FT PER BOX 118FT	



ISOMETRIC VIEW

LIFTING NOTES

- FIELD INSTALLATION: PLANT DEMOLDING: MINIMUM HANDLING CONCRETE STRENGTH F_c = 5500 PSI RIGGING EQUALIZER REQUIRED TO EQUALIZE LOAD TO 4 LIFTING POINTS WITH A SLING ANGLE BETWEEN 60° AND 90°
- BURY DEPTH: 0.0' - 0.0' to Top
- WATER LEVEL: 3.0'
- APPROX. WEIGHT: 3215.79 Lbs
- DESIGN SPEC: ACI 318, ASTM C857
- LOADING SPEC: A-16 (AASHTO HS20-44)
- AGENCY: Edison
- AGENCY SPEC: HP 215, PB-1

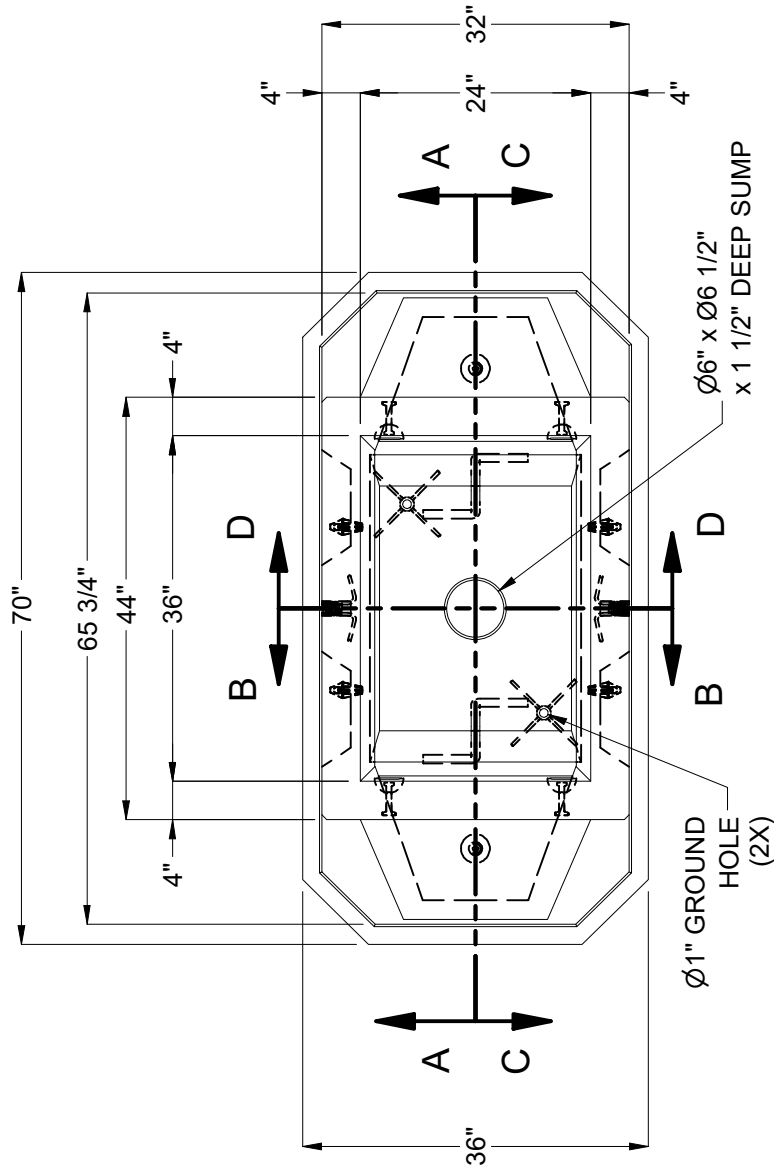
REVISION HISTORY		
REV	DESCRIPTION	DATE
B-1	INITIAL RELEASE INVENTOR	4/30/2024

DESCRIPTION:	Intercept Vault Layout 2436x36 Knockout Ducted, Sump 24"x36"C Edison HP 215, PB-1 Parkway RPM
PART NUMBER:	100010266
CREATED:	6/11/2019
REV:	B-1
SHEET:	1 OF 2
LAYOUT REVIEW	J. Prado
DRAWN BY:	J. Prado
MODIFIED:	4/30/2024

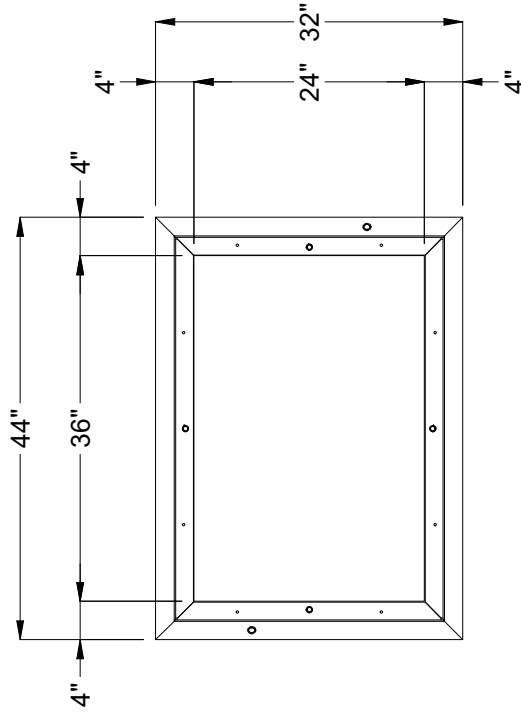
©2024 Jensen Precast. All rights reserved. All materials appearing as Jensen Precast documents and the like are proprietary work product and are protected under U.S. copyright and other laws. Unless in conjunction with business conducted with Jensen Precast, any use of Jensen Precast work product without express, written consent is prohibited, and recipient is prohibited from distributing any and all work product to non-approved third parties under penalty of civil action.

JENSEN PRECAST EST. 1968
WWW.JENSENPRECAST.COM

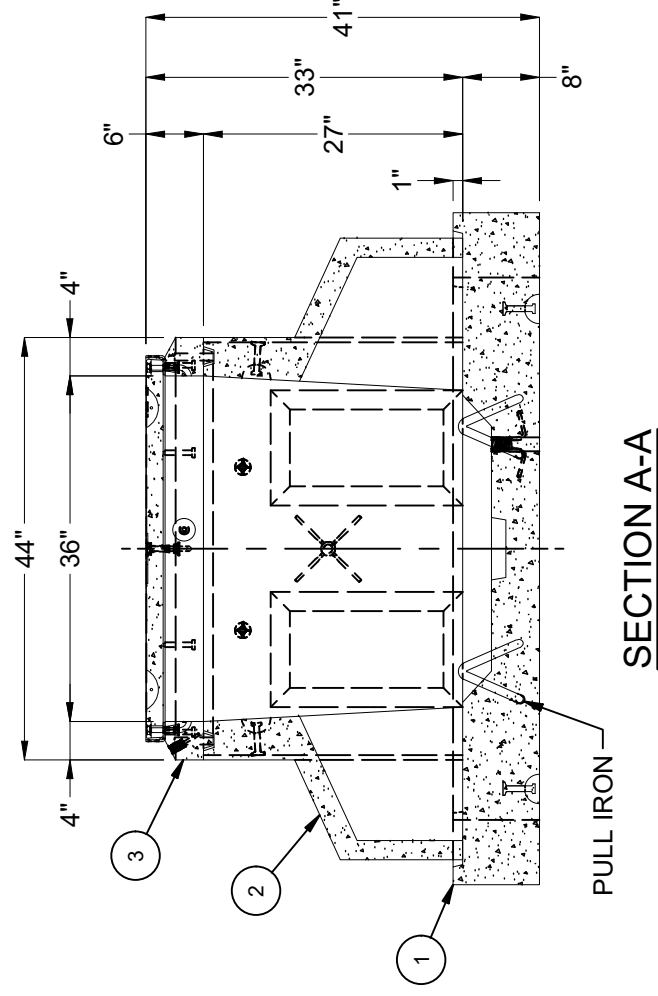
1001201966.rpt



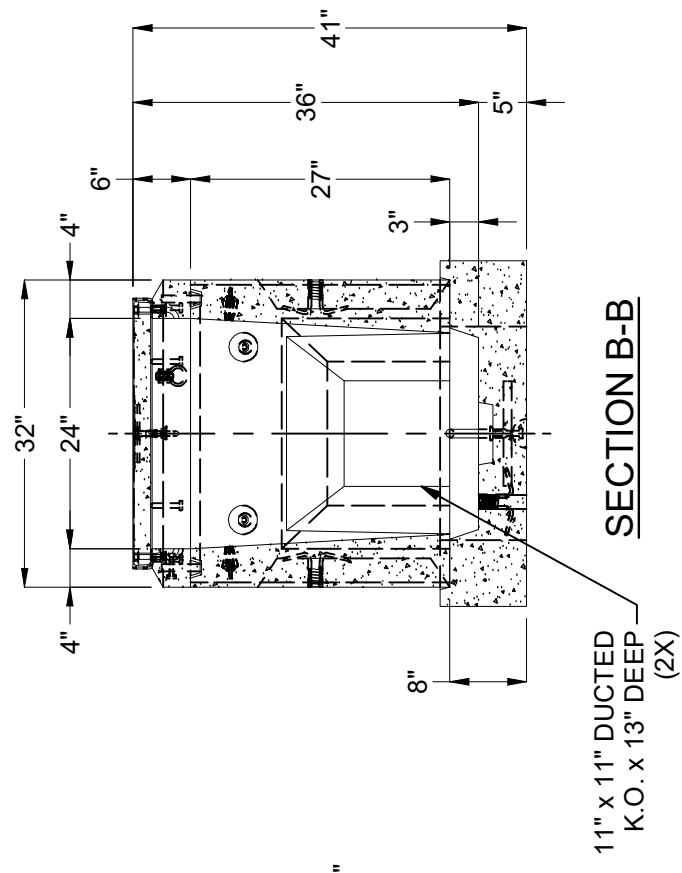
PLAN VIEW W/O TOP SECTION



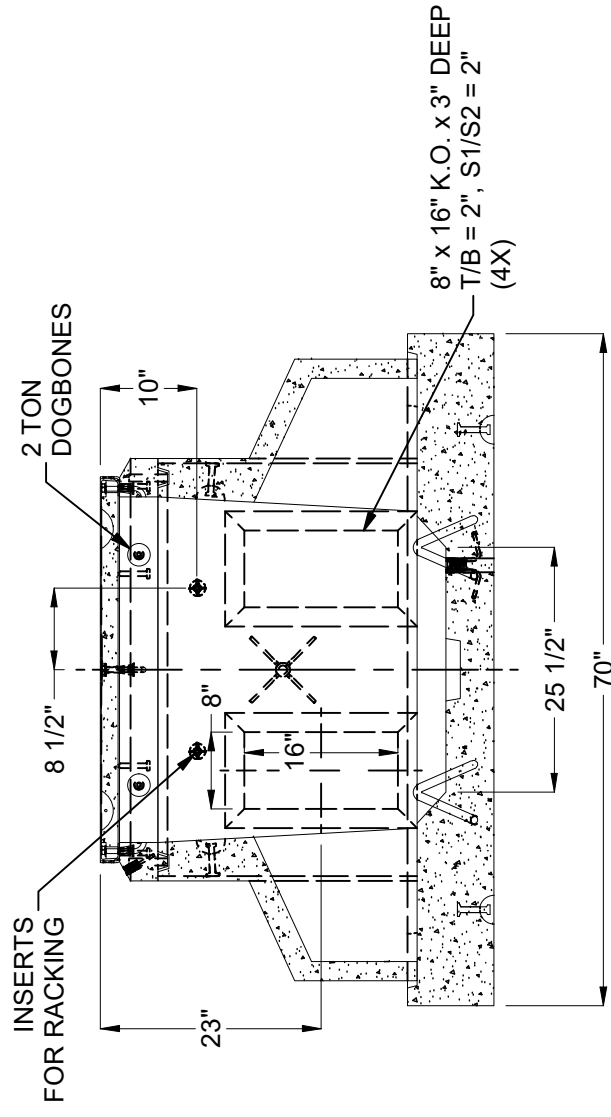
PLAN VIEW OF TOP SECTION



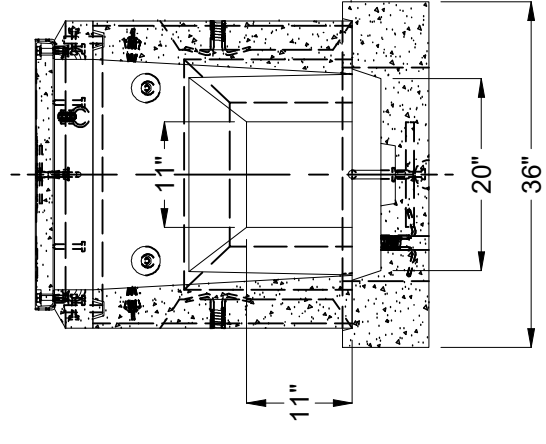
SECTION A-A



SECTION B-B



SECTION C-C



SECTION D-D

BURY DEPTH:	0.0' - 0.0' to Top
WATER LEVEL:	3.0'
DESIGN SPEC:	ACI 318, ASTM C857
AGENCY:	Edison
APPROX. WEIGHT:	3215.79 Lbs
LOADING SPEC:	A-16 (AASHTO HS20-44)
AGENCY SPEC:	HP 215, PB-1

©2024 Jensen Precast. All rights reserved. All materials appearing as Jensen Precast documents and the like are proprietary work product and are protected under U.S. copyright and other laws. Unless in conjunction with business conducted with Jensen Precast, any use of Jensen Precast work product without express, written consent is prohibited, and recipient is prohibited from distributing any and all work product to non-approved third parties under penalty of civil action.

JENSEN PRECAST EST. 1968
WWW.JENSENPRECAST.COM

DESCRIPTION:	Intercept Vault Layout 2436x36 Knockout Ducted, Sump 24"x36"C Edison HP 215, PB-1 Parkway RPM
PART NUMBER:	100010266
CREATED:	6/11/2019
LAYOUT REVIEW	J. Prado
DRAWN BY:	J. Prado
MODIFIED:	4/30/2024

REV:	B-1
SHEET:	2 OF 2

100010266.rvt