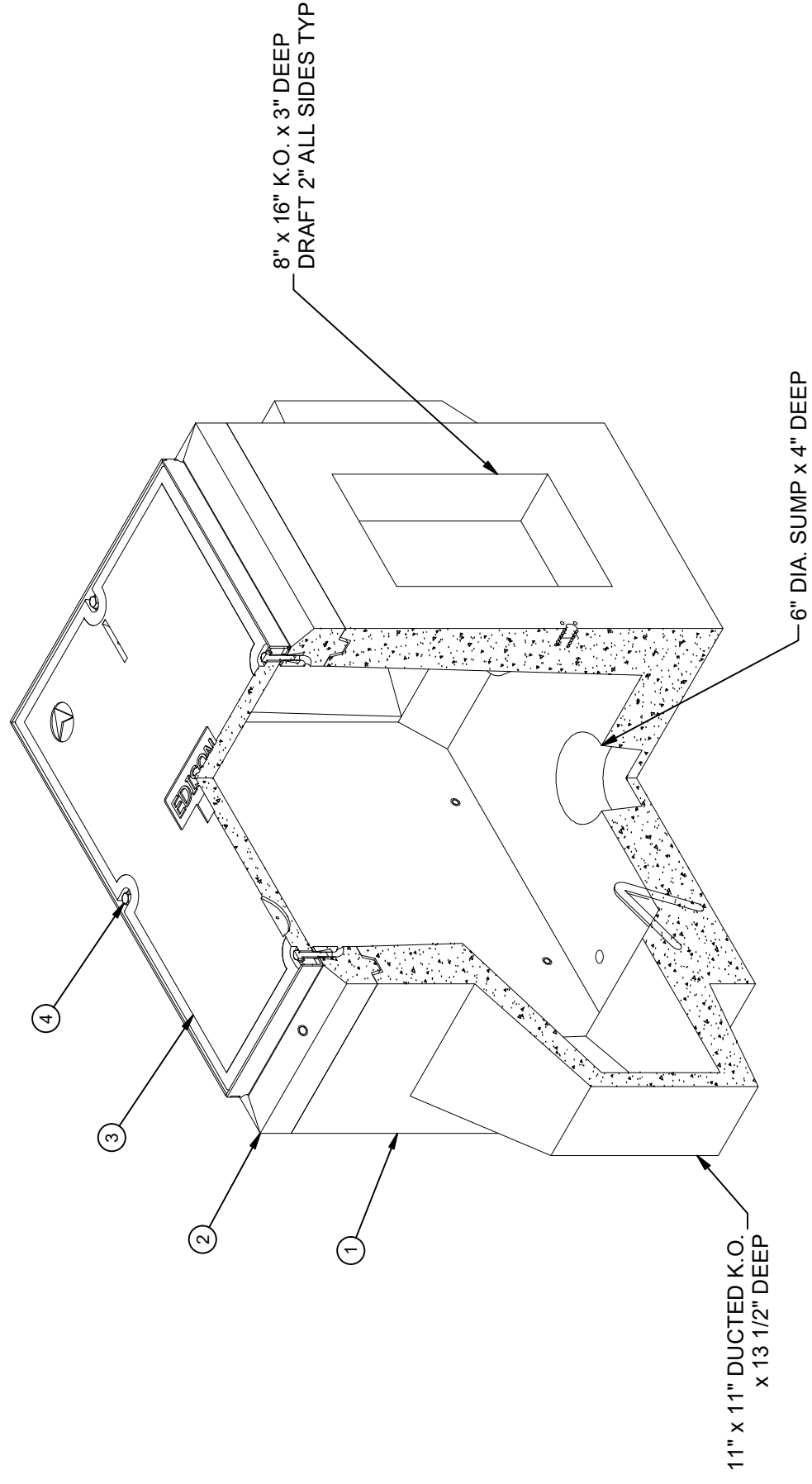


DESIGN NOTES

- SUBSTRUCTURE DESIGNED IN ACCORDANCE WITH AASHTO HS20-44 TRAFFIC BRIDGE LOADING USING 5,500 PSI COMPRESSIVE STRENGTH CONCRETE AND 60,000 PSI YIELD STRENGTH ASTM A-706 STEEL REINFORCEMENT PER CALCS. #34544.
- COVER DESIGN FOR PARKWAY LOADING (300 PSF).
- PULL BOX TO BE PLACED ON A MIN. 6" BASE OF CRUSHER RUN FOR EASE OF INSTALLATION AND EVEN LOAD DISTRIBUTION.
- MINIMUM EXCAVATION SIZE: 3'-8" X 6'-6" X DEPTH REQ'D.
- FOR COMPLETE DESIGN AND PRODUCT INFORMATION CONTACT JENSEN PRECAST.
- ALL PARTS TO BE STENCILED: MFG DATE / JOB NUMBER / PRODUCT ID / WEIGHT.

BILL OF MATERIALS

ITEM	UNIT QTY	QTY	PART NUMBER	DESCRIPTION	MASS (lb)
1	1	1	100012129	Vault 2436x30 Rect. Bottom Section Knockout Ducted, Sump LADWP E-491 G1	2113
2	1	1	100012124	Vault 2436x6 Rect. Top Section 24"x36"C LADWP/EDISON	217
3	1	1	100007027	COVER 2436 POLYMER EDISON	163
4	1	4	100008105	PENTA BOLT 1/2-13 UNC 2-1/2 304SS W/CAPWASH	
5	1,000 ul	1,000 ul	100005749	SEALANT JOINT BUTYL RUBBER ASTM C-990 AND M198 CS-102 1IN EQUIV X14.5FT PER BOX 118FT	



ISO VIEW

LIFTING NOTES

- FIELD INSTALLATION: PLANT DEMOLING: MINIMUM HANDLING CONCRETE STRENGTH F<sub>c</sub> = 5500 PSI RIGGING EQUALIZER REQUIRED TO EQUALIZE LOAD TO 4 LIFTING POINTS WITH A SLING ANGLE BETWEEN 60° AND 90°
- BURY DEPTH: 0.0' - 0.3' to Top
- WATER LEVEL: 3.0'
- APPROX. WEIGHT: 2494.63 Lbs
- DESIGN SPEC: ASTM C857, ACI 318
- LOADING SPEC: A-16 (AASHTO HS20-44)
- AGENCY: EDISON

©2023 Jensen Precast. All rights reserved. All materials appearing as Jensen Precast documents and the like are proprietary work product and are protected under U.S. copyright and other laws. Unless in conjunction with business conducted with Jensen Precast, any use of Jensen Precast work product without express, written consent is prohibited, and recipient is prohibited from distributing any and all work product to non-approved third parties under penalty of civil action.

REVISION HISTORY		DATE	APPROVED
REV	DESCRIPTION	INITIAL RELEASE	
B-1		1/11/2023	

DESCRIPTION: Vault 2436 Layout Assembly EDISON RPM PARKWAY COVER

REV: B-2

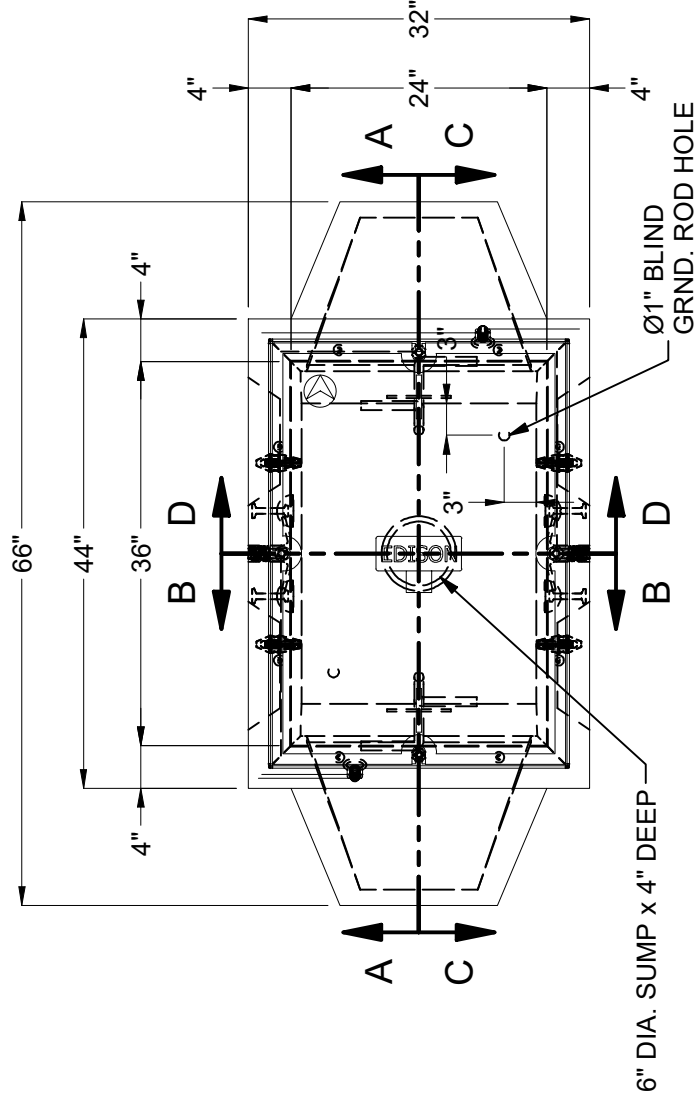
PART NUMBER: 100010272 LAYOUT REVIEW

DRAWN BY: R. Ramos

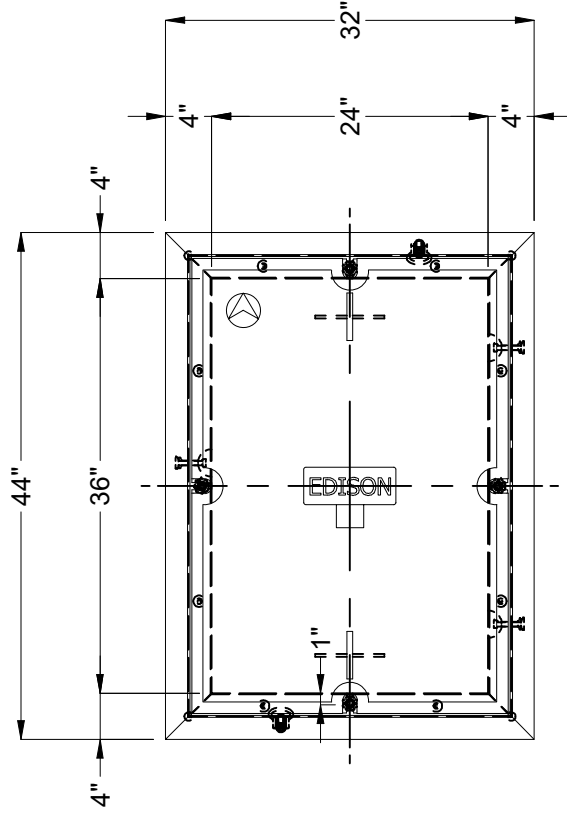
CREATED: 6/6/2019 MODIFIED: 1/11/2023

SHEET: 5

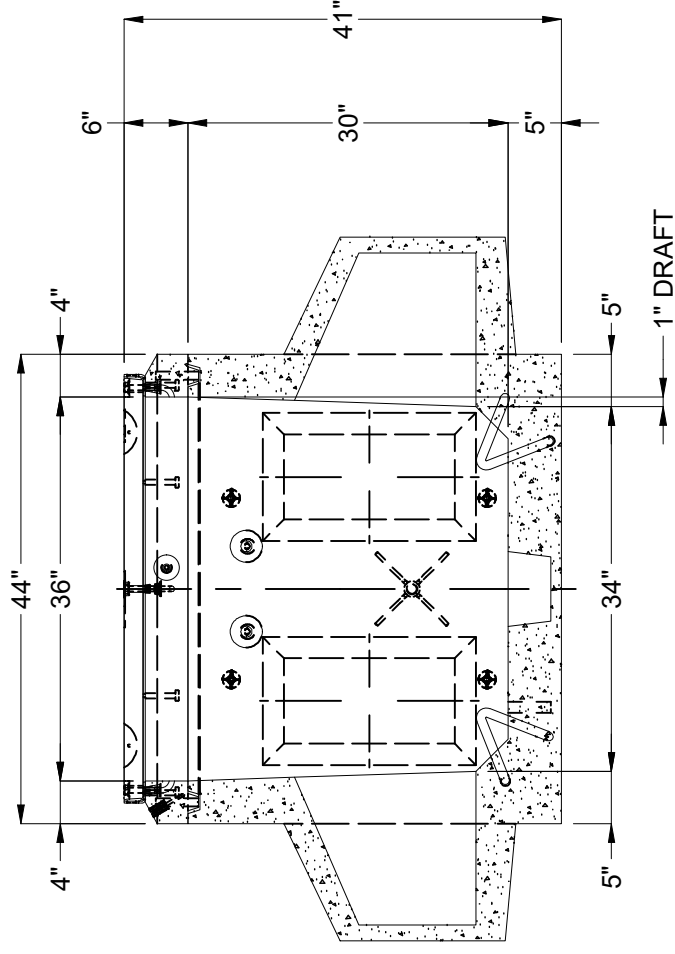
1 OF 2



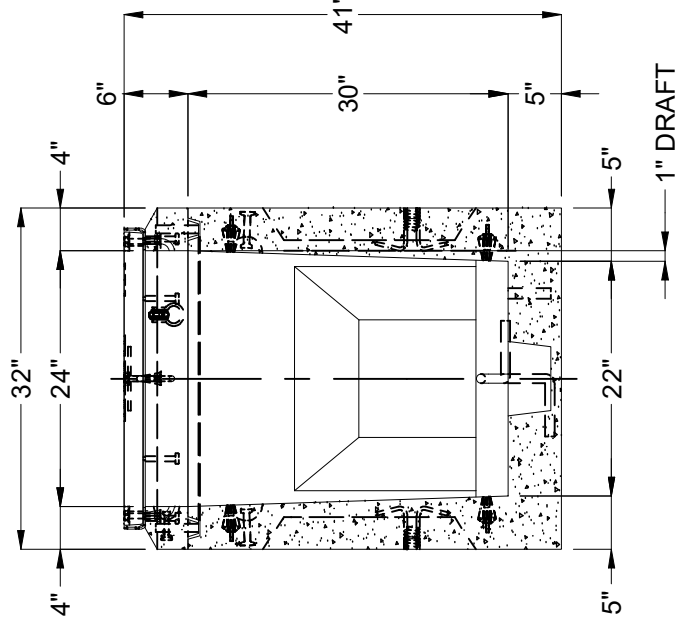
PLAN VIEW W/O TOP SECTION



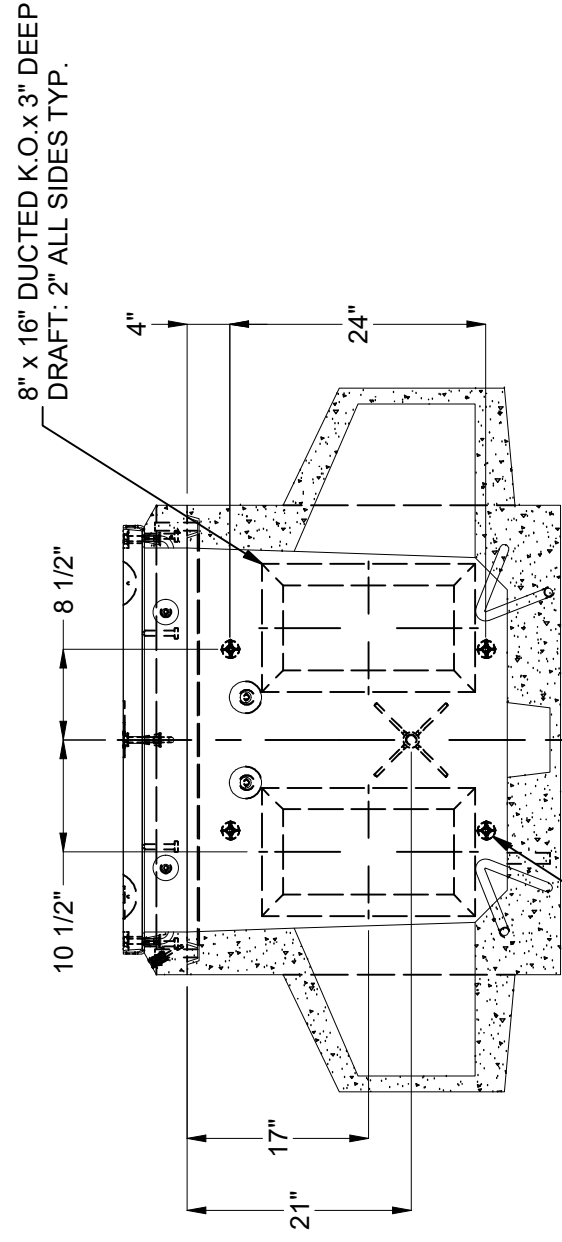
PLAN VIEW OF TOP SECTION



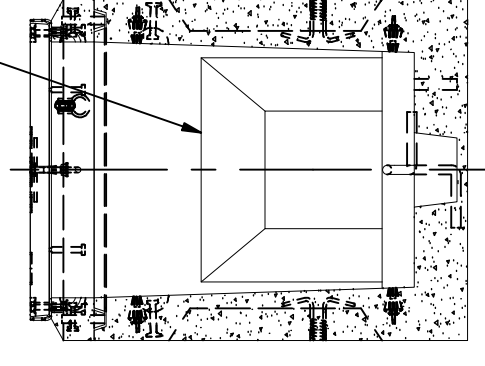
SECTION A-A



SECTION B-B



SECTION C-C



SECTION D-D

BURY DEPTH:	0.0' - 0.3' to Top		
WATER LEVEL:	3.0'	APPROX. WEIGHT:	2494.63 Lbs
DESIGN SPEC:	ASTM C857, ACI 318	LOADING SPEC:	A-16 (AASHTO HS20-44)
AGENCY:	EDISON	AGENCY SPEC:	

**JENSEN PRECAST** EST. 1968  
[WWW.JENSENPRECAST.COM](http://WWW.JENSENPRECAST.COM)

©2023 Jensen Precast. All rights reserved. All materials appearing as Jensen Precast documents and the like are proprietary work product and are protected under U.S. copyright and other laws. Unless in conjunction with business conducted with Jensen Precast, any use of Jensen Precast work product without express, written consent is prohibited, and recipient is prohibited from distributing any and all work product to non-approved third parties under penalty of civil action.

DESCRIPTION:	Vault 2436 Layout Assembly EDISON RPM PARKWAY COVER		
REV:	B-2	LAYOUT REVIEW	
PART NUMBER:	100010272	DRAWN BY:	R. Ramos
CREATED:	6/6/2019	MODIFIED:	1/11/2023
SHEET:	6		
	2		2